

E-BODA Confidential

EBODA		Add: Unit 1005, Block east, Phase II, Tian'an High-tech Plaza, Chegongmiao, Futian District, Shenzhen, China Tel: 0086 755 82507136 Fax: 0086 755 82507106	
Title	G-BOX	7.780.952	
Document Number	Drawn	Rev	
Size A3	EB2908-801	V0.1	
Date: Thursday, May 30, 2013	Check	Sheet 2 of 12	

3. Application Diagram

3.1. Single-Band 11n (1x1) Solution (11n 1x1 MAC/BB/RF+PA)

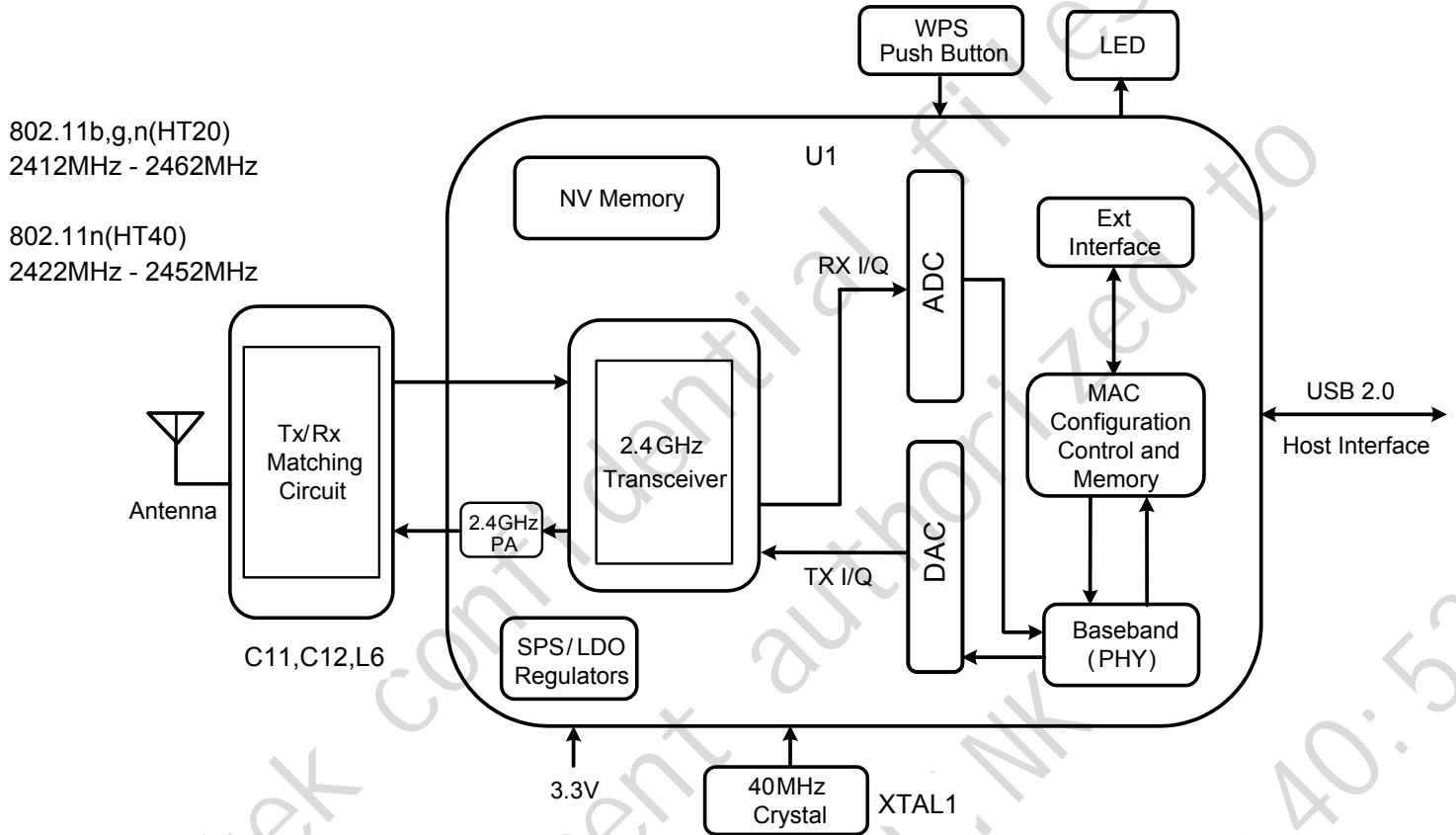


Figure 1. Single-Band 11n (1x1) Solution (11n 1x1 MAC/BB/RF+PA)