




TEST REPORT

Report No. : **CHEW21050144** Report Verification: 

Project No..... : **SHT2104093301EW**

FCC ID..... : **A2HCT9F08**

Applicant's name..... : **Alco Electronics Ltd**

Address..... : 11/F Metropole Square, 2 On Yiu Street, Sha Tin, New Territories, Hong Kong

Test item description : **Tablet**

Trade Mark : VENTURER

Model/Type reference..... : CT9F08

Listed Model(s) : VCT9F08, CT9F0A, VCT9F0A

Standard : **FCC CFR Title 47 Part 15 Subpart E Section 15.407**

Date of receipt of test sample..... : Apr. 26, 2021

Date of testing..... : Apr. 27, 2021- May. 24, 2021

Date of issue..... : May. 25, 2021

Result..... : **PASS**

Compiled by
 (Position+Printed name+Signature): File administrator Silvia Li

Supervised by
 (Position+Printed name+Signature): Project Engineer Aaron Fang

Approved by
 (Position+Printed name+Signature): RF Manager Hans Hu

Silvia Li

Aaron Fang

Hans Hu

Testing Laboratory Name : **Shenzhen Huatongwei International Inspection Co., Ltd.**

Address..... : 1/F, Bldg 3, Hongfa Hi-tech Industrial Park, Genyu Road, Tianliao, Gongming, Shenzhen, China

Shenzhen Huatongwei International Inspection Co., Ltd. All rights reserved.

This publication may be reproduced in whole or in part for non-commercial purposes as long as the Shenzhen Huatongwei International Inspection Co., Ltd. is acknowledged as copyright owner and source of the material. Shenzhen Huatongwei International Inspection Co., Ltd. takes no responsibility for and will not assume liability for damages resulting from the reader's interpretation of the reproduced material due to its placement and context.

The test report merely correspond to the test sample.

Contents

1.	<u>TEST STANDARDS AND REPORT VERSION</u>	<u>3</u>
1.1.	Test Standards	3
1.2.	Report version	3
2.	<u>TEST DESCRIPTION</u>	<u>4</u>
3.	<u>SUMMARY</u>	<u>5</u>
3.1.	Client Information	5
3.2.	Product Description	5
3.3.	Radio Specification Description	5
3.4.	Testing Laboratory Information	6
4.	<u>TEST CONFIGURATION</u>	<u>7</u>
4.1.	Test frequency list	7
4.2.	Descriptions of Test mode	7
4.3.	Test mode	7
4.4.	Support unit used in test configuration and system	8
4.5.	Testing environmental condition	8
4.6.	Measurement uncertainty	8
4.7.	Equipment Used during the Test	9
5.	<u>TEST CONDITIONS AND RESULTS</u>	<u>11</u>
5.1.	Antenna Requirement	11
5.2.	AC Conducted Emission	12
5.3.	Maximum Conducted Output Power	15
5.4.	Power Spectral Density	17
5.5.	26dB bandwidth and 99% Occupancy bandwidth	19
5.6.	6dB Bandwidth	20
5.7.	Band edge	21
5.8.	Radiated Spurious Emissions	25
5.9.	Frequency stability	33
6.	<u>TEST SETUP PHOTOS.....</u>	<u>34</u>
7.	<u>EXTERANAL AND INTERNAL PHOTOS</u>	<u>35</u>
8.	<u>APPENDIX REPORT</u>	<u>35</u>

1. TEST STANDARDS AND REPORT VERSION

1.1. Test Standards

The tests were performed according to following standards:

- [FCC Rules Part 15.407](#): General technical requirements.
- [ANSI C63.10:2013](#): American National Standard for Testing Unlicensed Wireless Devices
- [KDB789033 D02 v02r01](#): GUIDELINES FOR COMPLIANCE TESTING OF UNLICENSED NATIONAL INFORMATION INFRASTRUCTURE (U-NII) DEVICES PART 15, SUBPART E

1.2. Report version

Revision No.	Date of issue	Description
N/A	2021-05-25	Original

2. TEST DESCRIPTION

Report clause	Test Items	Standard Requirement	Result
5.1	Antenna Requirement	15.203/15.247(c)	PASS
5.2	AC Conducted Emission	15.207	PASS
5.3	Maximum Conducted Output Power	15.407(a)	PASS
5.4	Maximum Power Spectral Density	15.407(a)	PASS
5.5	26dB Bandwidth and 99% Occupancy bandwidth	15.407(a)	PASS
5.6	6dB Bandwidth	15.407(a)	PASS
5.7	Band edge	15.407(b)	PASS
5.8	Radiated Spurious Emissions	15.209	PASS
5.9	Frequency Stability	15.407(g)	PASS

Note:

- The measurement uncertainty is not included in the test result.

3. SUMMARY

3.1. Client Information

Applicant:	Alco Electronics Ltd
Address:	11/F Metropole Square, 2 On Yiu Street, Sha Tin, New Territories, Hong Kong
Manufacturer:	Alco Electronics Ltd
Address:	11/F Metropole Square, 2 On Yiu Street, Sha Tin, New Territories, Hong Kong

3.2. Product Description

Name of EUT:	Tablet
Trade Mark:	VENTURER
Model No.:	CT9F08
Listed Model(s):	VCT9F08 , CT9F0A , VCT9F0A
Power supply:	DC 3.7V
Hardware version:	AL-MT8168-CT9E78-V1.0
Software version:	V08

3.3. Radio Specification Description

5G WIFI			
Support type ^{*1}	<input checked="" type="checkbox"/> 802.11a	<input checked="" type="checkbox"/> 802.11n(HT20)	<input checked="" type="checkbox"/> 802.11n(HT40)
	<input checked="" type="checkbox"/> 802.11ac(HT20)	<input checked="" type="checkbox"/> 802.11ac(HT40)	<input checked="" type="checkbox"/> 802.11ac(HT80)
Function:	<input type="checkbox"/> Outdoor AP	<input type="checkbox"/> Indoor AP	<input type="checkbox"/> Fixed P2P
	<input checked="" type="checkbox"/> Client		
DFS type:	<input type="checkbox"/> master devices	<input type="checkbox"/> Slave devices with radar detection	<input checked="" type="checkbox"/> Slave devices without radar detection
Modulation:	BPSK, QPSK, 16QAM, 64QAM		
Operation frequency:	<input checked="" type="checkbox"/> Band I:	5150MHz~5250MHz	
	<input checked="" type="checkbox"/> Band II:	5250MHz~5350MHz	
	<input checked="" type="checkbox"/> Band III:	5470MHz~5725MHz	
	<input checked="" type="checkbox"/> Band IV:	5725MHz~5850MHz	
Supported Bandwidth	20MHz:	802.11n, 802.11a,802.11ac	
	40MHz:	802.11n,802.11ac	
	80MHz:	802.11n,802.11ac	
Antenna type:	FPCB Antenna		
Antenna gain:	-1.5dBi		

Note:

*1: only show the RF function associated with this report.

3.4. Testing Laboratory Information

Laboratory Name	Shenzhen Huatongwei International Inspection Co., Ltd.	
Laboratory Location	1/F, Bldg 3, Hongfa Hi-tech Industrial Park, Genyu Road, Tianliao, Gongming, Shenzhen, China	
Connect information:	Phone: 86-755-26715499 E-mail: cs@szhtw.com.cn http://www.szhtw.com.cn	
Qualifications	Type	Accreditation Number
	FCC	762235

4. TEST CONFIGURATION

4.1. Test frequency list

According to section 15.31(m), regards to the operating frequency range over 10 MHz, must select three channels which were tested. The Lowest frequency, the middle frequency, and the highest frequency of channel were selected to perform the test, please see the below .

Band	Test Channel	20MHz		40MHz		80MHz	
		Channel	Frequency (MHz)	Channel	Frequency (MHz)	Channel	Frequency (MHz)
I	CH _L	36	5180	38	5190	-	-
	CH _M	44	5220	-	-	42	5210
	CH _H	48	5240	46	5230	-	-
II	CH _L	52	5260	54	5270	-	-
	CH _M	56	5280	-	-	58	5290
	CH _H	64	5320	62	5310	-	-
III	CH _L	100	5500	102	5510	106	5530
	CH _M	120	5600	118	5590	122	5610
	CH _H	140	5700	134	5670	138	5690
IV	CH _L	149	5745	151	5755	-	-
	CH _M	157	5785	-	-	155	5775
	CH _H	165	5825	159	5795	-	-

4.2. Descriptions of Test mode

Preliminary tests were performed in different data rates, final test modes are considering the modulation and worse data rates as below table.

Modulation	Data rate
802.11a	6Mbps
802.11n(HT20)/ 802.11ac(HT20)	MCS0
802.11n(HT40)/ 802.11ac(HT40)	MCS0
802.11ac(HT80)	MCS0

4.3. Test mode

For RF test items
The engineering test program was provided and enabled to make EUT continuous transmit.
For AC power line conducted emissions:
The EUT was set to connect with the WLAN AP under large package sizes transmission.
For Radiated spurious emissions test item:
The engineering test program was provided and enabled to make EUT continuous transmit. The EUT in each of three orthogonal axis emissions had been tested, but only the worst case (X axis) data Recorded in the report.

4.4. Support unit used in test configuration and system

The EUT has been associated with peripherals and configuration operated in a manner tended to maximize its emission characteristics in a typical application.

The following peripheral devices and interface cables were connected during the measurement:

Whether support unit is used?					
✓ No					
Item	Equipment	Trade Name	Model No.	FCC ID	Power cord
1					
2					

4.5. Testing environmental condition

Type	Requirement	Actual
Temperature:	15~35°C	25°C
Relative Humidity:	25~75%	50%
Air Pressure:	860~1060mbar	1000mbar

4.6. Measurement uncertainty

Test Item	Measurement Uncertainty
AC Conducted Emission (150kHz~30MHz)	3.02 dB
Radiated Emission (30MHz~1000MHz)	4.90 dB
Radiated Emissions (1GHz~25GHz)	4.96 dB
Peak Output Power	0.51 dB
Power Spectral Density	0.51 dB
Conducted Spurious Emission	0.51 dB
6dB Bandwidth	70 Hz
Frequency error	70 Hz

This uncertainty represents an expanded uncertainty expressed at approximately the 95% confidence level using a coverage factor of k=1.96.

4.7. Equipment Used during the Test

● Conducted Emission							
Used	Test Equipment	Manufacturer	Equipment No.	Model No.	Serial No.	Last Cal. Date (YY-MM-DD)	Next Cal. Date (YY-MM-DD)
●	Shielded Room	Albatross projects	HTWE0114	N/A	N/A	2018/09/28	2023/09/27
●	EMI Test Receiver	R&S	HTWE0111	ESCI	101247	2020/10/19	2021/10/18
●	Artificial Mains	SCHWARZBECK	HTWE0113	NNLK 8121	573	2020/10/15	2021/10/14
●	Pulse Limiter	R&S	HTWE0033	ESH3-Z2	100499	2020/10/15	2021/10/14
●	RF Connection Cable	HUBER+SUHNER	HTWE0113-02	ENVIROFLE X_142	EF-NM-BNCM-2M	2020/10/15	2021/10/14
●	Test Software	R&S	N/A	ES-K1	N/A	N/A	N/A

● Radiated emission-6th test site							
Used	Test Equipment	Manufacturer	Equipment No.	Model No.	Serial No.	Last Cal. Date (YY-MM-DD)	Next Cal. Date (YY-MM-DD)
●	Semi-Anechoic Chamber	Albatross projects	HTWE0127	SAC-3m-02	C11121	2018/09/30	2021/09/29
●	EMI Test Receiver	R&S	HTWE0099	ESCI	100900	2020/10/19	2021/10/18
●	Loop Antenna	R&S	HTWE0170	HFH2-Z2	100020	2021/04/01	2024/03/31
●	Ultra-Broadband Antenna	SCHWARZBECK	HTWE0123	VULB9163	538	2021/04/01	2024/03/31
●	Pre-Amplifier	SCHWARZBECK	HTWE0295	BBV 9742	N/A	2020/11/13	2021/11/12
●	RF Connection Cable	HUBER+SUHNER	HTWE0062-01	N/A	N/A	2020/05/27	2021/05/26
●	RF Connection Cable	HUBER+SUHNER	HTWE0062-02	SUCOFLEX104	501184/4	2020/05/27	2021/05/26
●	Test Software	R&S	N/A	ES-K1	N/A	N/A	N/A

● Radiated emission-7th test site							
Used	Test Equipment	Manufacturer	Equipment No.	Model No.	Serial No.	Last Cal. Date (YY-MM-DD)	Next Cal. Date (YY-MM-DD)
●	Semi-Anechoic Chamber	Albatross projects	HTWE0122	SAC-3m-01	N/A	2018/09/27	2021/09/26
●	Spectrum Analyzer	R&S	HTWE0098	FSP40	100597	2020/10/20	2021/10/19
●	Horn Antenna	SCHWARZBECK	HTWE0126	9120D	1011	2020/04/01	2023/03/31
●	Broadband Horn Antenna	SCHWARZBECK	HTWE0103	BBHA9170	BBHA9170472	2018/10/11	2021/10/11
●	Pre-amplifier	CD	HTWE0071	PAP-0102	12004	2020/11/13	2021/11/12
●	Broadband Pre-amplifier	SCHWARZBECK	HTWE0201	BBV 9718	9718-248	2021/05/21	2022/05/20
●	RF Connection Cable	HUBER+SUHNER	HTWE0120-01	6m 18GHz S Serisa	N/A	2021/05/08	2022/05/07
●	RF Connection Cable	HUBER+SUHNER	HTWE0120-02	6m 3GHz RG Serisa	N/A	2021/05/08	2022/05/07
●	RF Connection Cable	HUBER+SUHNER	HTWE0120-03	6m 3GHz RG Serisa	N/A	2021/05/08	2022/05/07
●	RF Connection Cable	HUBER+SUHNER	HTWE0120-04	6m 3GHz RG Serisa	N/A	2021/05/08	2022/05/07
●	RF Connection Cable	HUBER+SUHNER	HTWE0121-01	6m 18GHz S Serisa	N/A	2021/05/08	2022/05/07
●	Test Software	Audix	N/A	E3	N/A	N/A	N/A

● RF Conducted Method						
Used	Test Equipment	Manufacturer	Model No.	Serial No.	Last Cal. Date (YY-MM-DD)	Next Cal. Date (YY-MM-DD)
●	Signal and spectrum Analyzer	R&S	FSV40	100048	2020/10/19	2021/10/18
●	Spectrum Analyzer	Agilent	N9020A	MY50510187	2020/10/19	2021/10/18
●	Power Meter	Anritsu	ML249A	N/A	2020/10/19	2021/10/18
○	Radio communication tester	R&S	CMW500	137688-Lv	2020/10/19	2021/10/18

5. TEST CONDITIONS AND RESULTS

5.1. Antenna Requirement

Requirement

FCC CFR Title 47 Part 15 Subpart C Section 15.203:

An intentional radiator shall be designed to ensure that no antenna other than that furnished by the responsible party shall be used with the device. The use of a permanently attached antenna or of an antenna that uses a unique coupling to the intentional radiator, the manufacturer may design the unit so that a broken antenna can be replaced by the user, but the use of a standard antenna jack or electrical connector is prohibited.

TEST RESULT

Passed **Not Applicable**

The antenna type is a FPCB antenna, the directional gain of the antenna less than 6 dBi, please refer to the below antenna photo.



5.2. AC Conducted Emission

LIMIT

FCC CFR Title 47 Part 15 Subpart C Section 15.207

Frequency range (MHz)	Limit (dBuV)	
	Quasi-peak	Average
0.15-0.5	66 to 56*	56 to 46*
0.5-5	56	46
5-30	60	50

* Decreases with the logarithm of the frequency.

TEST CONFIGURATION



TEST PROCEDURE

1. The EUT was setup according to ANSI C63.10 requirements.
2. The EUT was placed on a platform of nominal size, 1 m by 1.5 m, raised 80 cm above the conducting ground plane. The vertical conducting plane was located 40 cm to the rear of the EUT. All other surfaces of EUT were at least 80 cm from any other grounded conducting surface.
3. The EUT and simulators are connected to the main power through a line impedances stabilization network (LISN). The LISN provides a 50 ohm /50uH coupling impedance for the measuring equipment.
4. The peripheral devices are also connected to the main power through a LISN. (Please refer to the block diagram of the test setup and photographs)
5. Each current-carrying conductor of the EUT power cord, except the ground (safety) conductor, was individually connected through a LISN to the input power source.
6. The excess length of the power cord between the EUT and the LISN receptacle were folded back and forth at the center of the lead to form a bundle not exceeding 40 cm in length.
7. Conducted emissions were investigated over the frequency range from 0.15MHz to 30MHz using a receiver bandwidth of 9 kHz.
8. During the above scans, the emissions were maximized by cable manipulation.

TEST MODE:

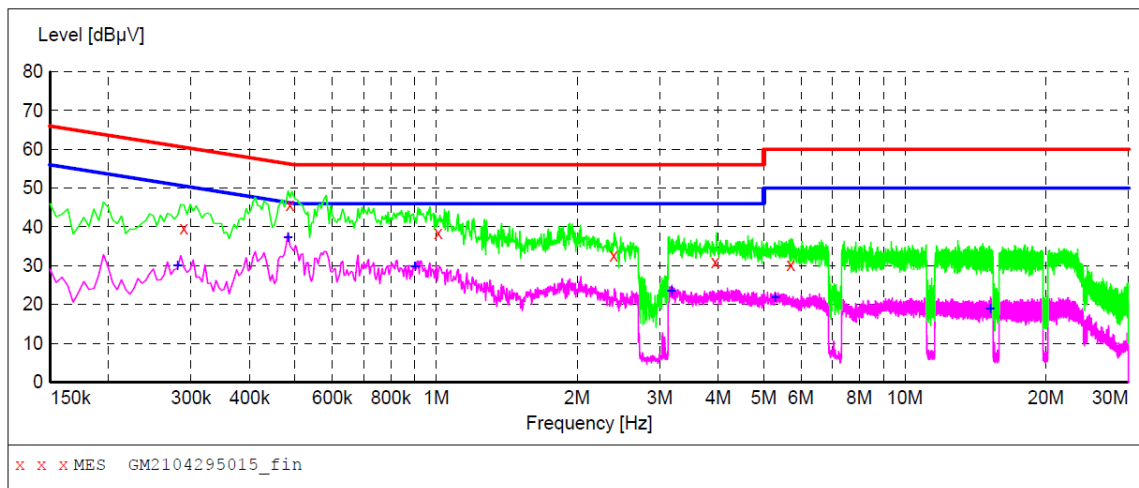
Please refer to the clause 4.3

TEST RESULT

Passed Not Applicable

Test Line:

L



MEASUREMENT RESULT: "GM2104295015_fin"

4/29/2021 9:42AM

Frequency MHz	Level dBµV	Transd dB	Limit dBµV	Margin dB	Detector	Line	PE
0.289500	39.70	10.2	61	20.8	QP	L1	GND
0.487500	45.60	10.2	56	10.6	QP	L1	GND
1.009500	38.60	10.2	56	17.4	QP	L1	GND
2.391000	32.60	10.2	56	23.4	QP	L1	GND
3.934500	30.90	10.2	56	25.1	QP	L1	GND
5.707500	30.30	10.2	60	29.7	QP	L1	GND

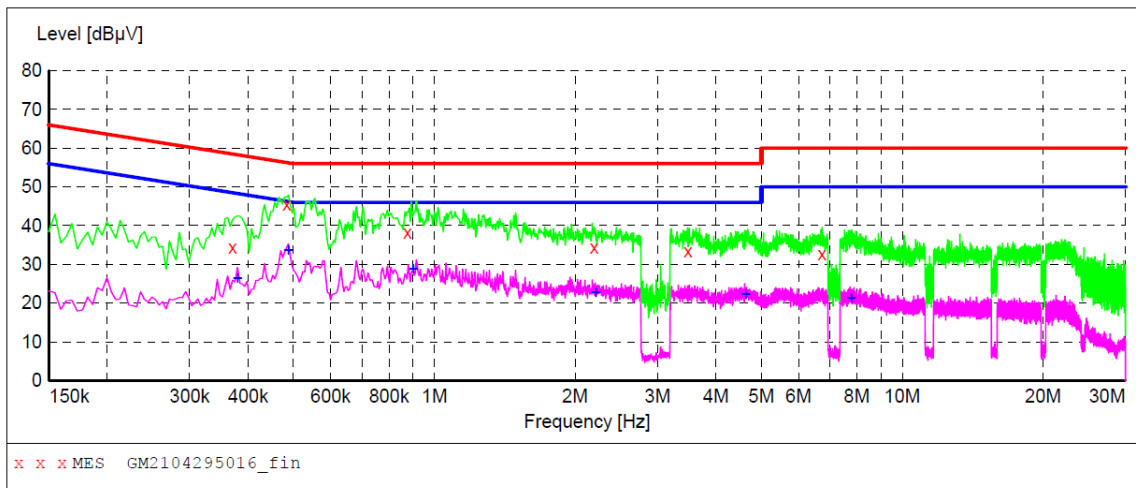
MEASUREMENT RESULT: "GM2104295015_fin2"

4/29/2021 9:42AM

Frequency MHz	Level dBµV	Transd dB	Limit dBµV	Margin dB	Detector	Line	PE
0.280500	30.10	10.2	51	20.7	AV	L1	GND
0.483000	37.20	10.2	46	9.1	AV	L1	GND
0.901500	29.70	10.2	46	16.3	AV	L1	GND
3.178500	23.40	10.2	46	22.6	AV	L1	GND
5.284500	21.80	10.2	50	28.2	AV	L1	GND
15.211500	18.90	10.4	50	31.1	AV	L1	GND

Test Line:

N



MEASUREMENT RESULT: "GM2104295016_fin"

4/29/2021 9:45AM

Frequency MHz	Level dBµV	Transd dB	Limit dBµV	Margin dB	Detector	Line	PE
0.370500	34.30	10.2	59	24.2	QP	N	GND
0.483000	45.40	10.2	56	10.9	QP	N	GND
0.874500	38.30	10.2	56	17.7	QP	N	GND
2.193000	34.30	10.2	56	21.7	QP	N	GND
3.484500	33.30	10.2	56	22.7	QP	N	GND
6.738000	32.70	10.2	60	27.3	QP	N	GND

MEASUREMENT RESULT: "GM2104295016_fin2"

4/29/2021 9:45AM

Frequency MHz	Level dBµV	Transd dB	Limit dBµV	Margin dB	Detector	Line	PE
0.379500	26.40	10.2	48	21.9	AV	N	GND
0.487500	33.60	10.2	46	12.6	AV	N	GND
0.901500	28.70	10.2	46	17.3	AV	N	GND
2.211000	22.70	10.2	46	23.3	AV	N	GND
4.623000	22.30	10.2	46	23.7	AV	N	GND
7.777500	21.40	10.3	50	28.6	AV	N	GND

5.3. Maximum Conducted Output Power

LIMIT

FCC CFR Title 47 Part 15 Subpart E Section 15.407(a):

For the 5.15~5.25GHz band:

- Outdoor AP
The maximum conducted output power (P_{out}) shall not exceed the lesser of 1W (30dBm).
if $G_{TX} > 6\text{dBi}$, then $P_{out} = 30 - (G_{TX} - 6)$. e.i.r.p. at any elevation angle above 30 degrees $\leq 125\text{mW}$ (21dBm)
- Indoor AP
The maximum conducted output power (P_{out}) shall not exceed the lesser of 1W (30dBm).
if $G_{TX} > 6\text{dBi}$, then $P_{out} = 30 - (G_{TX} - 6)$.
- Point-to-point AP
The maximum conducted output power (P_{out}) shall not exceed the lesser of 1W (30dBm).
if $G_{TX} > 23\text{dBi}$, then $P_{out} = 30 - (G_{TX} - 23)$.
- Client devices
The maximum conducted output power (P_{out}) shall not exceed the lesser of 250W (24dBm).
if $G_{TX} > 6\text{dBi}$, then $P_{out} = 24 - (G_{TX} - 6)$.

For the 5.25~5.35GHz band:

The maximum conducted output power (P_{out}) shall not exceed the lesser of 250mW (24dBm) or 11dBm+10 log B, where B is the 26dB emission bandwidth in MHz.
if $G_{TX} > 6\text{dBi}$, then $P_{out} = 24 - (G_{TX} - 6)$.

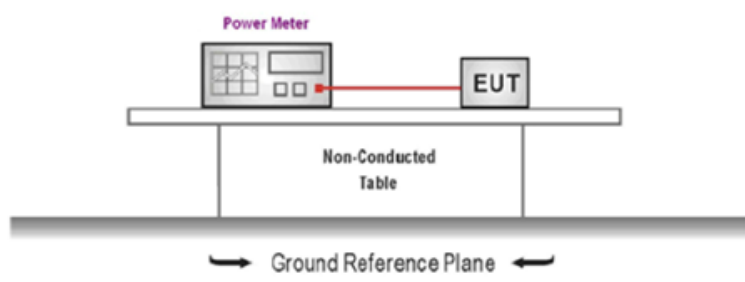
For the 5.47~5.725GHz band:

The maximum conducted output power (P_{out}) shall not exceed the lesser of 250mW (24dBm) or 11dBm+10 log B, where B is the 26dB emission bandwidth in MHz.
if $G_{TX} > 6\text{dBi}$, then $P_{out} = 24 - (G_{TX} - 6)$.

For the 5.725~5.85GHz band:

- Point-to-multipoint systems (P2M)
The maximum conducted output power (P_{out}) shall not exceed the lesser of 1W (30dBm).
if $G_{TX} > 6\text{dBi}$, then $P_{out} = 30 - (G_{TX} - 6)$.
- Point-to-point systems (P2P)
The maximum conducted output power (P_{out}) shall not exceed the lesser of 1W (30dBm).

TEST CONFIGURATION



TEST PROCEDURE

1. The EUT was tested according to KDB789033 Section E-3-b)
2. The maximum conducted output power may be measured using a broadband AVG RF power meter.
3. Average power measurements were performed only when the EUT was transmitting at its maximum power control level using a broadband power meter with a pulse sensor.
4. The power meter implemented triggering and gating capabilities which were set up such that power measurements were recorded only during the ON time of the transmitter.
5. Record the measurement data.

6. TEST MODE:

Please refer to the clause 4.3

TEST RESULT

Passed **Not Applicable**

TEST Data

Please refer to appendix A on the appendix report

5.4. Power Spectral Density

LIMIT

FCC CFR Title 47 Part 15 Subpart E Section 15.407(a):

For the 5.15~5.25GHz band:

- Outdoor AP
The peak power spectral density (PSD) shall not exceed the lesser of 17dBm/MHz.
if $G_{TX} > 6\text{dBi}$, then $\text{PSD} = 17 - (G_{TX} - 6)$.
- Indoor AP
The peak power spectral density (PSD) shall not exceed the lesser of 17dBm/MHz.
if $G_{TX} > 6\text{dBi}$, then $\text{PSD} = 17 - (G_{TX} - 6)$.
- Point-to-point AP
The peak power spectral density (PSD) shall not exceed the lesser of 17dBm/MHz.
if $G_{TX} > 23\text{dBi}$, then $\text{PSD} = 17 - (G_{TX} - 23)$.
- Client devices
The peak power spectral density (PSD) shall not exceed the lesser of 11dBm/MHz.
if $G_{TX} > 6\text{dBi}$, then $\text{PSD} = 11 - (G_{TX} - 6)$.

For the 5.25~5.35GHz band:

The peak power spectral density (PSD) shall not exceed the lesser of 11dBm/MHz.
if $G_{TX} > 6\text{dBi}$, then $\text{PSD} = 11 - (G_{TX} - 6)$.

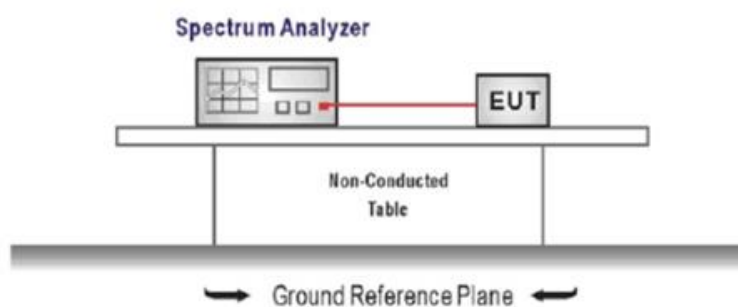
For the 5.47~5.725GHz band:

The peak power spectral density (PSD) shall not exceed the lesser of 11dBm/MHz.
if $G_{TX} > 6\text{dBi}$, then $\text{PSD} = 11 - (G_{TX} - 6)$.

For the 5.725~5.85GHz band:

- Point-to-multipoint systems (P2M)
The peak power spectral density (PSD) shall not exceed the lesser of 30dBm/500kHz.
if $G_{TX} > 6\text{dBi}$, then $\text{PSD} = 30 - (G_{TX} - 6)$.
- Point-to-point systems (P2P)
The peak power spectral density (PSD) shall not exceed the lesser of 30dBm/500kHz.

TEST CONFIGURATION



TEST PROCEDURE

1. According KDB 789033 D02 – Section F
2. Analyzer was setting as follow:
Center frequency: test channel
Span was set to encompass the entire emission bandwidth of the signal
RBW=1MHz for devices operating in the bands 5.15-5.25 GHz, 5.25-5.35 GHz, and 5.47-5.725 GHz
RBW=500kHz for devices operating in the band 5.725-5.85 GHz
VBW \geq 3 RBW
Number of sweep points $>$ 2 x (span/RBW)
Sweep time = auto
Detector = Average
Trigger was set to free run for all modes, trace was averaged over 100 sweeps
3. The peak search function of the spectrum analyzer was used to find the peak of the spectrum.

TEST MODE:

Please refer to the clause 4.3

TEST RESULT

Passed **Not Applicable**

TEST Data

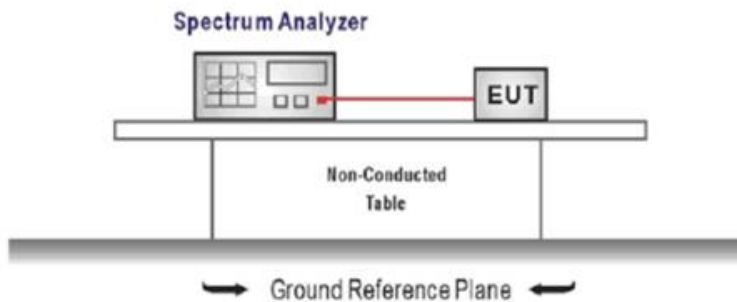
Please refer to appendix B on the appendix report

5.5. 26dB bandwidth and 99% Occupancy bandwidth

LIMIT

The bandwidth at 26dB down from the highest in-band spectral density is measured with a spectrum analyzer connected to the antenna terminal while the EUT is operating at its maximum duty cycle, at its maximum power control level, as defined in KDB 789033 D02 , and at the appropriate frequencies. The spectrum analyzer's bandwidth measurement function is configured to measure the 26dB bandwidth.

TEST CONFIGURATION



TEST PROCEDURE

1. According KDB 789033 D02 – Section C, 26dB bandwidth test as follow
 - a) Set RBW = approximately 1% of the emission bandwidth.
 - b) Set the VBW > RBW.
 - c) Detector = Peak.
 - d) Trace mode = max hold.
 - e) Measure the maximum width of the emission that is 26 dB down from the maximum of the emission. Compare this with the RBW setting of the analyzer. Readjust RBW and repeat measurement as needed until the RBW/EBW ratio is approximately 1%.
2. According KDB 789033 D02 – Section D, 99% bandwidth test as follow
 - a). Set center frequency to the nominal EUT channel center frequency.
 - b). Set span = 1.5 times to 5.0 times the OBW.
 - c). Set RBW = 1% to 5% of the OBW
 - d). Set $VBW \geq 3 \text{ RBW}$
 - e). Video averaging is not permitted. Where practical, a sample detection and single sweep mode shall be used. Otherwise, peak detection and max hold mode (until the trace stabilizes) shall be used.
 - f). Use the 99% power bandwidth function of the instrument

TEST MODE:

Please refer to the clause 4.3

TEST RESULT

Passed Not Applicable

TEST Data

Please refer to appendix C and D on the appendix report

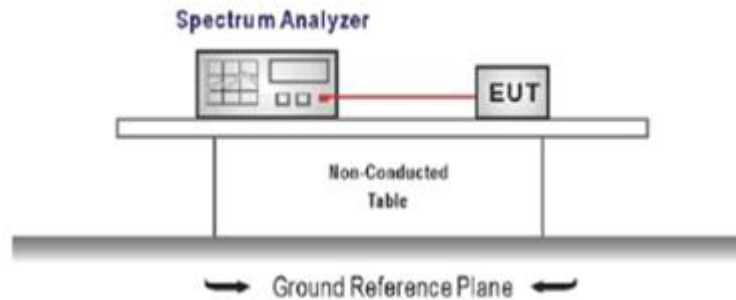
5.6. 6dB Bandwidth

LIMIT

FCC CFR Title 47 Part 15 Subpart E Section 15.407(e)

Within the 5.725-5.85 GHz band, the minimum 6 dB bandwidth of U-NII devices shall be at least 500 kHz

TEST CONFIGURATION



TEST PROCEDURE

1. Connect the antenna port(s) to the spectrum analyzer input.
2. Configure the spectrum analyzer as shown below (enter all losses between the transmitter output and the spectrum analyzer).
Center Frequency = test channel center frequency
Span = 2 x emission bandwidth
RBW = 100 kHz, VBW \geq 3 x RBW
Sweep time = auto couple
Detector = Peak
Trace mode = max hold
3. Place the radio in continuous transmit mode, allow the trace to stabilize, view the transmitter wave form on the spectrum analyzer.
4. Measure the maximum width of the emission that is constrained by the frequencies associated with the two outermost amplitude points (upper and lower frequencies) that are attenuated by 6 dB relative to the maximum level measured in the fundamental emission, and record the pertinent measurements.

TEST MODE:

Please refer to the clause 4.3

TEST RESULT

Passed Not Applicable

TEST Data

Please refer to appendix E on the appendix report

5.7. Band edge

LIMIT

FCC CFR Title 47 Part 15 Subpart E Section 15.407(b)

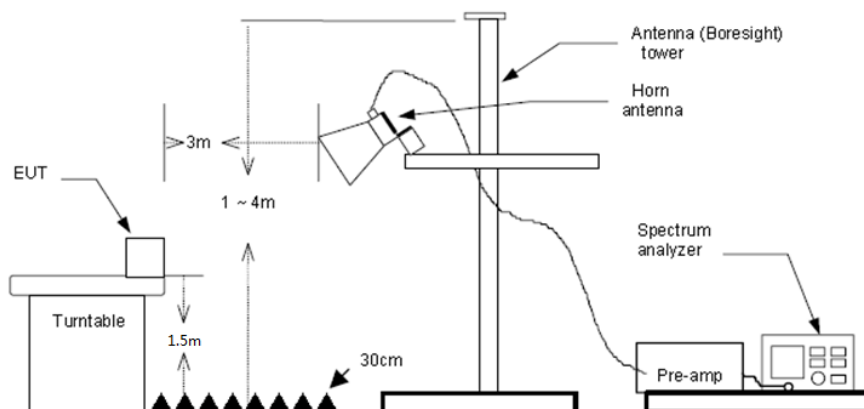
Un-restricted band emissions above 1GHz			
Operating Band	Frequency	EIRP Limit	Value
5150-5250MHz	Above 1GHz	-27dBm/MHz(68.2dBuV/m)@3m	Peak
5250-5350MHz	Above 1GHz	-27dBm/MHz(68.2dBuV/m)@3m	Peak
5470-5725MHz	Above 1GHz	-27dBm/MHz(68.2dBuV/m)@3m	Peak
5725-5850 MHz	1GHz-5.65GHz	-27 dBm/MHz(68.2dBuV/m)@3m	Peak
	5.65GHz-5.7GHz	-27*dBm/MHz to 10dBm/MHz (68.2* dBuV/m to 105.6dBuV/m)	Peak
	5.7GHz-5.72GHz	10*dBm/MHz to 15.6dBm/MHz (105.6*dBuV/m to 110.8dBuV/m)	Peak
	5.72GHz-5.725GHz	15.6*dBm/MHz to 27dBm/MHz (110.8dBuV/m to* 122.2dBuV/m)	Peak
	5.85GHz-5.855GHz	27dBm/MHz to 15.6*dBm/MHz (122.2dBuV/m to110.8* dBuV/m)	Peak
	5.855GHz-5.875GHz	15.6dBm/MHz to 10*dBm/MHz (110.8dBuV/m to 105.6* dBuV/m)	Peak
	5.875GHz-5.925GHz	10dBm/MHz to -27*dBm/MHz (105.6dBuV/m to 68.2* dBuV/m)	Peak
	Above 5.925GHz	-27 dBm/MHz(68.2dBuV/m)@3m	Peak

* Increase/Decreases with the linearly of the frequency.

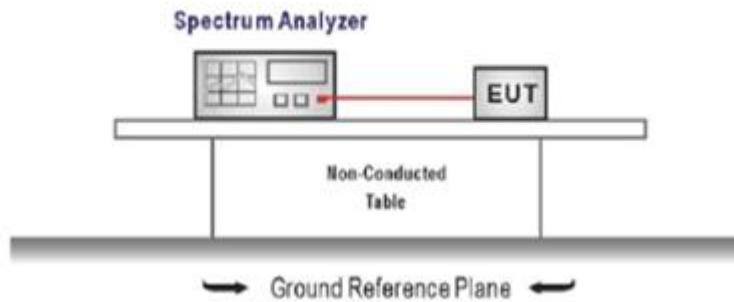
For emission above 1GHz and in restricted band, according to FCC KDB 789033 D02 General UNII Test Procedure, all emission that complies with both the average and peak limits of Section 15.209 is not required to satisfy the -27 dBm/MHz peak emission limit. $E[dBuV/m] = EIRP[dBm] + 95.2$, for $d = 3$ meters.

TEST CONFIGURATION

Radiated:



Conducted :



TEST PROCEDURE

1. The EUT was setup and tested according to ANSI C63.10:2013 requirements.
2. The EUT is placed on a turn table which is 1.5 meter above ground. The turn table is rotated 360 degrees to determine the position of the maximum emission level.
3. The EUT was positioned such that the distance from antenna to the EUT was 3 meters.
4. The antenna is scanned from 1 meter to 4 meters to find out the maximum emission level. This is repeated for both horizontal and vertical polarization of the antenna. In order to find the maximum emission, all of the interface cables were manipulated according to ANSI C63.10:2013 on radiated measurement.
5. The receiver set as follow:
RBW=1MHz, VBW=3MHz PEAK detector for Peak value.
RBW=1MHz, VBW=3MHz RMS detector for Average value.

TEST MODE:

Please refer to the clause 4.3

TEST RESULTS

Passed **Not Applicable**

Conducted Band Edge Test Data

Please refer to appendix F on the appendix report

Radiated Band Edge Test Data

Band: I & II		Worst mode: 802.11a			Test channel: CH _L		
Frequency (MHz)	Read Level (dBuV)	Level (dBuV/m)	Limit Line (dBuV/m)	Margin Limit (dB)	Factor (dB)	Test value	Polarization
5150.00	19.10	27.99	54.00	26.01	8.89	Vertical	Average
5150.00	25.30	34.19	68.20	34.01	8.89	Vertical	Peak
5150.00	17.80	26.69	54.00	27.31	8.89	Horizontal	Average
5150.00	24.97	33.86	68.20	34.34	8.89	Horizontal	Peak

Band: I & II		Worst mode: 802.11a			Test channel: CH _H		
Frequency (MHz)	Read Level (dBuV)	Level (dBuV/m)	Limit Line (dBuV/m)	Margin Limit (dB)	Factor (dB)	Test value	Polarization
5350.00	17.44	25.98	54.00	28.02	8.54	Vertical	Average
5350.00	24.22	32.76	68.20	35.44	8.54	Vertical	Peak
5350.00	17.19	25.73	54.00	28.27	8.54	Horizontal	Average
5350.00	23.83	32.37	68.20	35.83	8.54	Horizontal	Peak

Band: III		Worst mode: 802.11a			Test channel: CH _L		
Frequency (MHz)	Read Level (dBuV)	Level (dBuV/m)	Limit Line (dBuV/m)	Margin Limit (dB)	Factor (dB)	Test value	Polarization
5470.00	16.78	25.77	54.00	28.23	8.99	Vertical	Average
5470.00	23.56	32.55	68.20	35.65	8.99	Vertical	Peak
5470.00	17.35	26.34	54.00	27.66	8.99	Horizontal	Average
5470.00	22.69	31.68	68.20	36.52	8.99	Horizontal	Peak

Band: III		Worst mode: 802.11a			Test channel: CH _H		
Frequency (MHz)	Read Level (dBuV)	Level (dBuV/m)	Limit Line (dBuV/m)	Margin Limit (dB)	Factor (dB)	Test value	Polarization
5725.00	17.32	26.32	54.00	27.68	9.00	Vertical	Average
5725.00	24.21	33.21	68.20	34.99	9.00	Vertical	Peak
5725.00	18.08	27.08	54.00	26.92	9.00	Horizontal	Average
5725.00	24.46	33.46	68.20	34.74	9.00	Horizontal	Peak

Band: IV		Worst mode: 802.11a			Test channel: CH _L		
Frequency (MHz)	Read Level (dBuV)	Level (dBuV/m)	Limit Line (dBuV/m)	Margin Limit (dB)	Factor (dB)	Test value	Polarization
5725.00	16.98	25.98	54.00	28.02	9.00	Vertical	Average
5725.00	23.40	32.40	68.20	35.80	9.00	Vertical	Peak
5725.00	17.86	26.86	54.00	27.14	9.00	Horizontal	Average
5725.00	24.18	33.18	68.20	35.02	9.00	Horizontal	Peak

Band: IV		Worst mode: 802.11a			Test channel: CH _H		
Frequency (MHz)	Read Level (dBuV)	Level (dBuV/m)	Limit Line (dBuV/m)	Margin Limit (dB)	Factor (dB)	Test value	Polarization
5850.00	18.53	28.30	54.00	25.70	9.77	Vertical	Average
5850.00	22.78	32.55	68.20	35.65	9.77	Vertical	Peak
5850.00	17.95	27.72	54.00	26.28	9.77	Horizontal	Average
5850.00	24.12	33.89	68.20	34.31	9.77	Horizontal	Peak

Remark:

1. *Final Level = Receiver Read level + Factor*
2. *The emission levels of other frequencies are very lower than the limit and not show in test report.*
3. *Test 802.11a, 802.11n, 802.11ac mode, all modulations have been tested, only worst case is reported*

5.8. Radiated Spurious Emissions

LIMIT

FCC CFR Title 47 Part 15 Subpart C Section 15.209 and Part 15 Subpart E Section 15.407

Frequency	Limit (dBuV/m)	Value
0.009 MHz ~0.49 MHz	2400/F(kHz) @300m	Quasi-peak
0.49 MHz ~ 1.705 MHz	24000/F(kHz) @30m	Quasi-peak
1.705 MHz ~30 MHz	30 @30m	Quasi-peak

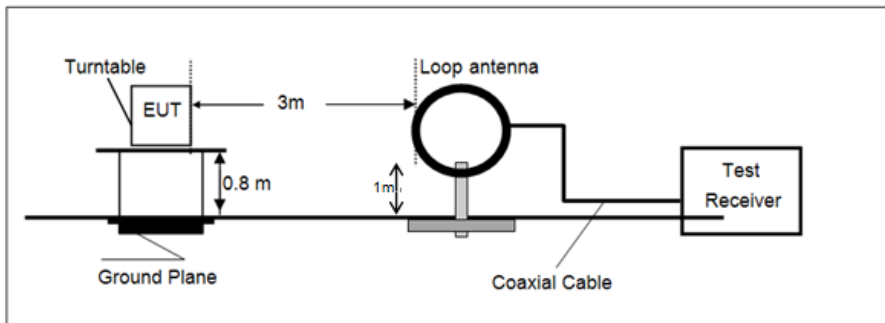
Note: Limit dBuV/m @3m = Limit dBuV/m @300m + 40*log(300/3)= Limit dBuV/m @300m +80,

Limit dBuV/m @3m = Limit dBuV/m @30m +40*log(30/3)= Limit dBuV/m @30m + 40.

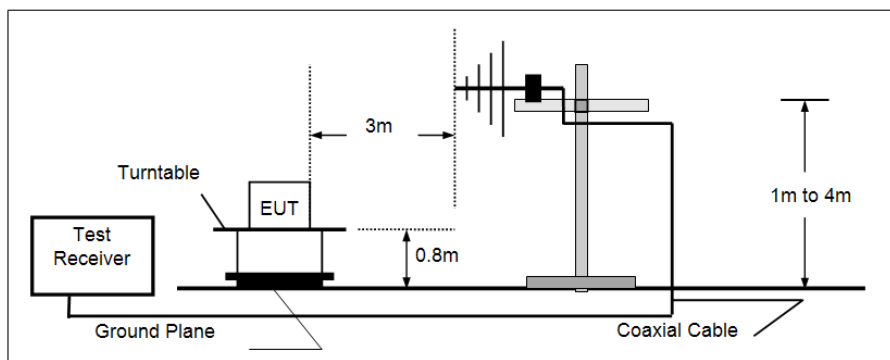
Unwanted emissions below 1GHz and Restricted band emissions above 1GHz		
Frequency	Limit (dBuV/m @3m)	Value
30MHz-88MHz	40.00	Quasi-peak
88MHz-216MHz	43.50	Quasi-peak
216MHz-960MHz	46.00	Quasi-peak
960MHz-1GHz	54.00	Quasi-peak
Above 1GHz	54.00	Average
	74.00	Peak

TEST CONFIGURATION

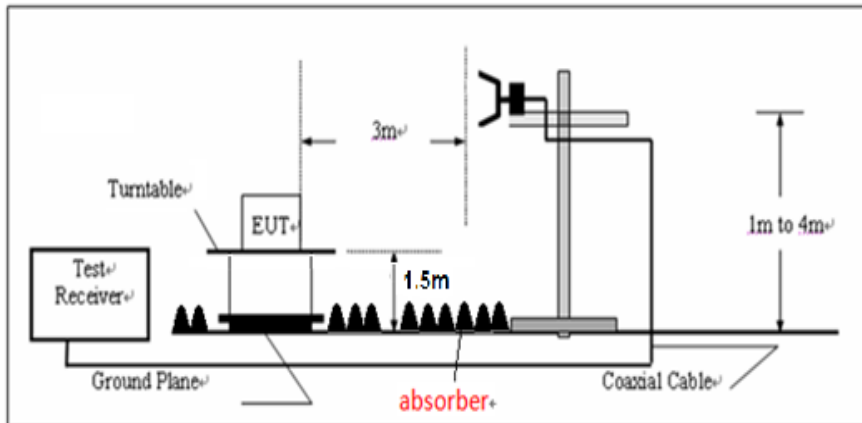
- 9KHz ~30MHz



- 30MHz ~ 1GHz



➤ Above 1GHz

**TEST PROCEDURE**

1. The EUT was setup and tested according to ANSI C63.10:2013
2. The EUT is placed on a turn table which is 0.8 meter above ground for below 1 GHz, and 1.5 m for above 1 GHz. The turn table is rotated 360 degrees to determine the position of the maximum emission level.
3. The EUT was set 3 meters from the receiving antenna, which was mounted on the top of a variable height antenna tower.
4. For each suspected emission, the EUT was arranged to its worst case and then tune the Antenna tower (from 1 m to 4 m) and turntable (from 0 degree to 360 degrees) to find the maximum reading. A pre-amp and a high pass filter are used for the test in order to get better signal level to comply with the guidelines.
5. Set to the maximum power setting and enable the EUT transmit continuously.
6. Use the following spectrum analyzer settings
 - a) Span shall wide enough to fully capture the emission being measured;
 - b) Below 1 GHz:
RBW=120 kHz, VBW=300 kHz, Sweep=auto, Detector function=peak, Trace=max hold;
If the emission level of the EUT measured by the peak detector is 3 dB lower than the applicable limit, the peak emission level will be reported. Otherwise, the emission measurement will be repeated using the quasi-peak detector and reported.
 - c) From 1 GHz to 10th harmonic:
RBW=1MHz, VBW=3MHz Peak detector for Peak value.
RBW=1MHz, VBW=3MHz RMS detector for Average value.

TEST MODE:

Please refer to the clause 4.3

TEST RESULT

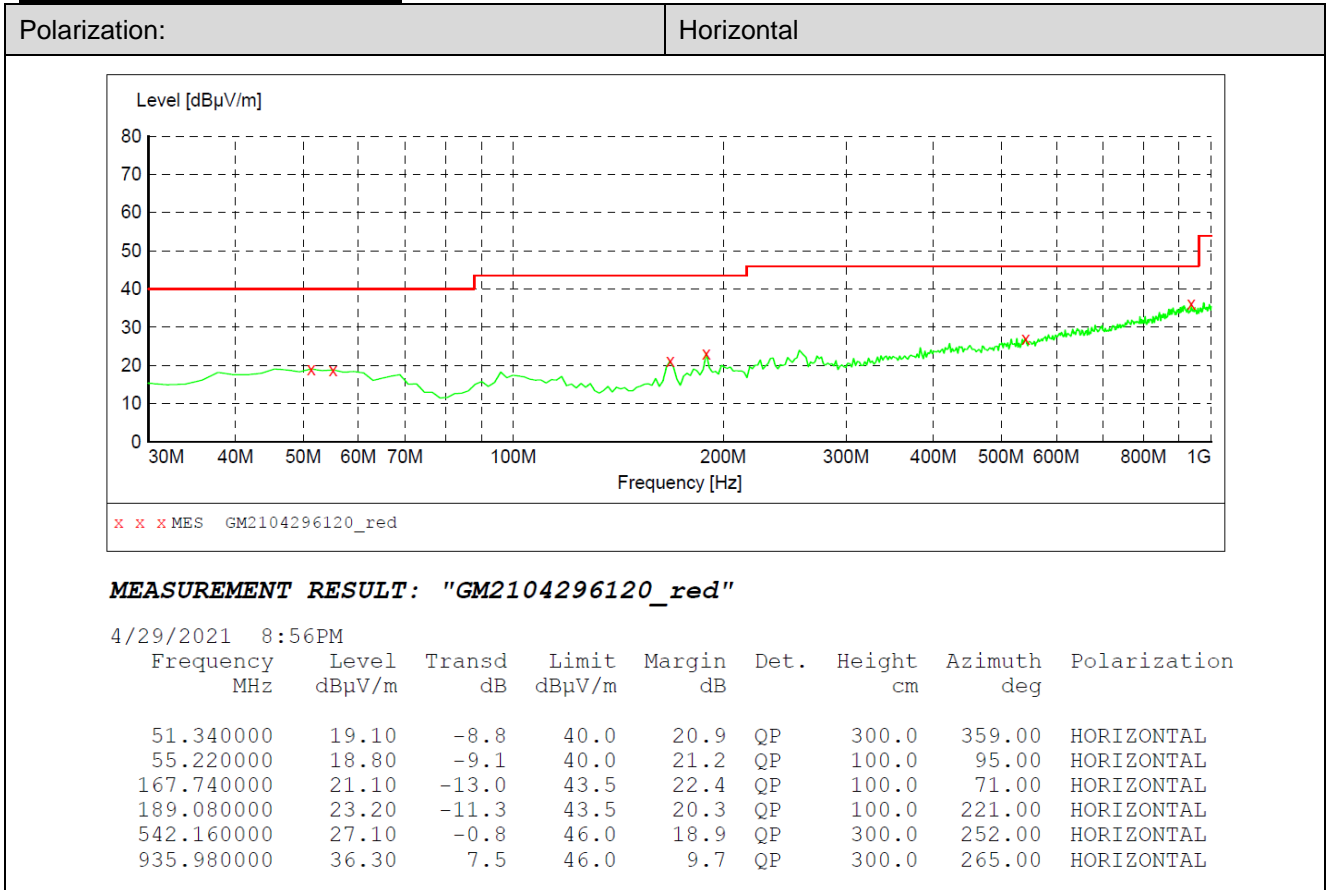
Passed Not Applicable

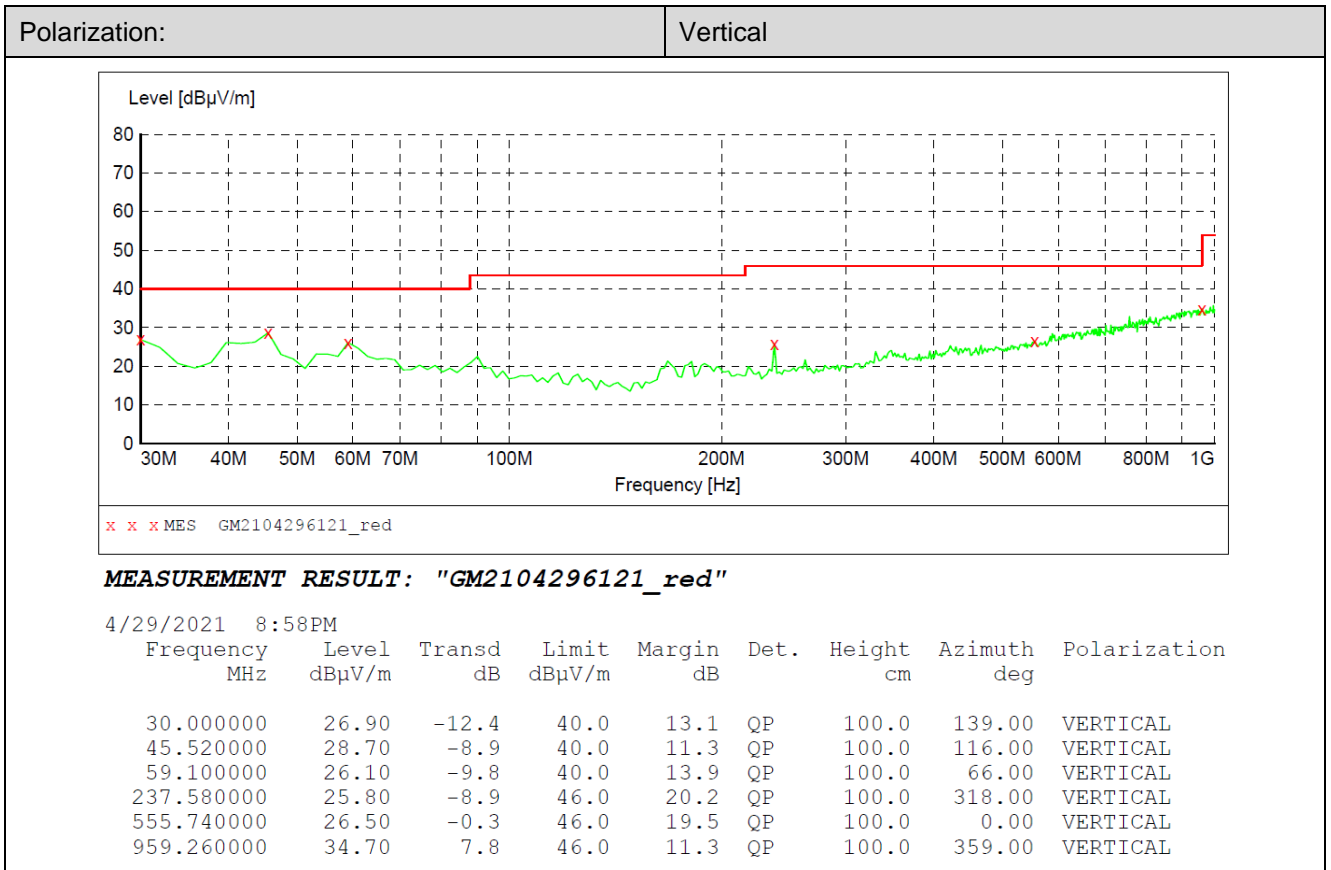
TEST Data

TEST DATA FOR 9 kHz ~ 30 MHz

The low frequency, which started from 9 kHz to 30MHz, was pre-scanned and the result which was 20dB lower than the limit line per 15.31(o) was not reported.

TEST DATA FOR 30MHz-1GHz





Remark:

Transd=Cable lose+ Antenna factor- Pre-amplifier; Margin=Limit -Level

TEST DATA FOR Above 1GHz

Band: I		Worst mode: 802.11a			Test channel: CH _L		
Frequency (MHz)	Read Level (dBuV)	Level (dBuV/m)	Limit Line (dBuV/m)	Margin Limit (dB)	Factor (dB)	Test value	Polarization
2457.00	23.67	21.43	68.20	46.77	-2.24	Vertical	Peak
4663.06	27.95	34.10	74.00	39.90	6.15	Vertical	Peak
7381.72	28.44	43.75	74.00	30.25	15.31	Vertical	Peak
9628.91	30.46	47.58	68.20	20.62	17.12	Vertical	Peak
1298.16	22.32	16.75	68.20	51.45	-5.57	Horizontal	Peak
4182.78	28.12	31.84	74.00	42.16	3.72	Horizontal	Peak
7170.22	27.08	41.90	68.20	26.30	14.82	Horizontal	Peak
9286.69	28.40	46.16	68.20	22.04	17.76	Horizontal	Peak

Band: I		Worst mode: 802.11a			Test channel: CH _M		
Frequency (MHz)	Read Level (dBuV)	Level (dBuV/m)	Limit Line (dBuV/m)	Margin Limit (dB)	Factor (dB)	Test value	Polarization
1248.22	23.07	17.37	68.20	50.83	-5.70	Vertical	Peak
4156.34	27.19	30.76	74.00	43.24	3.57	Vertical	Peak
6761.91	29.11	42.41	68.20	25.79	13.30	Vertical	Peak
9082.53	28.72	45.41	74.00	28.59	16.69	Vertical	Peak
1449.44	20.93	15.33	74.00	58.67	-5.60	Horizontal	Peak
4560.25	27.01	32.61	74.00	41.39	5.60	Horizontal	Peak
6231.69	27.29	38.21	68.20	29.99	10.92	Horizontal	Peak
9054.63	29.09	45.80	74.00	28.20	16.71	Horizontal	Peak

Band: I		Worst mode: 802.11a			Test channel: CH _H		
Frequency (MHz)	Read Level (dBuV)	Level (dBuV/m)	Limit Line (dBuV/m)	Margin Limit (dB)	Factor (dB)	Test value	Polarization
1417.13	21.67	16.08	74.00	57.92	-5.59	Vertical	Peak
2222.00	23.37	20.54	74.00	53.46	-2.83	Vertical	Peak
5185.94	26.85	35.80	68.20	32.40	8.95	Vertical	Peak
9101.63	29.46	46.13	74.00	27.87	16.67	Vertical	Peak
1245.28	21.93	16.22	68.20	51.98	-5.71	Horizontal	Peak
2166.19	22.31	18.99	68.20	49.21	-3.32	Horizontal	Peak
5185.94	27.19	36.14	68.20	32.06	8.95	Horizontal	Peak
8994.41	28.02	44.73	68.20	23.47	16.71	Horizontal	Peak

Remark:

1. Final Level = Receiver Read level + Antenna Factor + Cable Loss – Pre-amplifier Factor
2. The emission levels of other frequencies are very lower than the limit and not show in test report.
3. Measuring frequencies from 1 GHz to 40GHz.
4. Test 802.11a, 802.11n, 802.11ac mode, all modulations have been tested, only worst case is reported

Band:II		Worst mode: 802.11a			Test channel: CH _L		
Frequency (MHz)	Read Level (dBuV)	Level (dBuV/m)	Limit Line (dBuV/m)	Margin Limit (dB)	Factor (dB)	Test value	Polarization
1358.38	21.55	15.97	74.00	58.03	-5.58	Vertical	Peak
2305.72	23.32	20.98	68.20	47.22	-2.34	Vertical	Peak
5200.63	27.39	36.37	68.20	31.83	8.98	Vertical	Peak
8574.34	28.34	44.06	68.20	24.14	15.72	Vertical	Peak
1368.66	22.29	16.71	74.00	57.29	-5.58	Horizontal	Peak
2252.84	22.60	19.97	74.00	54.03	-2.63	Horizontal	Peak
6111.25	26.83	37.57	68.20	30.63	10.74	Horizontal	Peak
8677.16	28.67	44.78	68.20	23.42	16.11	Horizontal	Peak

Band:II		Worst mode: 802.11a			Test channel: CH _M		
Frequency (MHz)	Read Level (dBuV)	Level (dBuV/m)	Limit Line (dBuV/m)	Margin Limit (dB)	Factor (dB)	Test value	Polarization
1220.31	23.34	17.56	74.00	56.44	-5.78	Vertical	Peak
2205.84	22.77	19.84	74.00	54.16	-2.93	Vertical	Peak
4754.13	26.74	33.48	74.00	40.52	6.74	Vertical	Peak
8166.03	30.20	46.32	74.00	27.68	16.12	Vertical	Peak
1267.31	22.25	16.60	68.20	51.60	-5.65	Horizontal	Peak
2487.84	22.34	20.20	74.00	53.80	-2.14	Horizontal	Peak
4278.25	27.65	31.43	74.00	42.57	3.78	Horizontal	Peak
7437.53	27.91	43.30	74.00	30.70	15.39	Horizontal	Peak

Band: II		Worst mode: 802.11a			Test channel: CH _H		
Frequency (MHz)	Read Level (dBuV)	Level (dBuV/m)	Limit Line (dBuV/m)	Margin Limit (dB)	Factor (dB)	Test value	Polarization
1769.63	22.14	16.25	68.20	51.95	-5.89	Vertical	Peak
5494.38	27.37	36.49	68.20	31.71	9.12	Vertical	Peak
8030.91	27.73	43.97	74.00	30.03	16.24	Vertical	Peak
9263.19	29.11	46.58	68.20	21.62	17.47	Vertical	Peak
1346.63	22.20	16.63	74.00	57.37	-5.57	Horizontal	Peak
4749.72	25.53	32.24	74.00	41.76	6.71	Horizontal	Peak
8931.25	29.24	45.35	68.20	22.85	16.11	Horizontal	Peak
11320.91	28.10	45.66	74.00	28.34	17.56	Horizontal	Peak

Remark:

1. Final Level = Receiver Read level + Antenna Factor + Cable Loss – Preamplifier Factor
2. The emission levels of other frequencies are very lower than the limit and not show in test report.
3. Measuring frequencies from 1 GHz to 40GHz.
4. Test 802.11a, 802.11n ,802.11ac mode,all modulations have been tested,only worst case is reported

Band: III		Worst mode: 802.11a			Test channel: CH _L		
Frequency (MHz)	Read Level (dBuV)	Level (dBuV/m)	Limit Line (dBuV/m)	Margin Limit (dB)	Factor (dB)	Test value	Polarization
1312.84	21.45	15.88	74.00	58.12	-5.57	Vertical	Peak
3784.75	27.98	29.91	74.00	44.09	1.93	Vertical	Peak
5538.44	26.93	35.96	68.20	32.24	9.03	Vertical	Peak
9292.56	27.62	45.45	68.20	22.75	17.83	Vertical	Peak
1251.16	23.81	18.11	68.20	50.09	-5.70	Horizontal	Peak
2313.06	22.75	20.41	74.00	53.59	-2.34	Horizontal	Peak
5907.09	26.57	36.58	68.20	31.62	10.01	Horizontal	Peak
9098.69	29.72	46.39	74.00	27.61	16.67	Horizontal	Peak

Band: III		Worst mode: 802.11a			Test channel: CH _M		
Frequency (MHz)	Read Level (dBuV)	Level (dBuV/m)	Limit Line (dBuV/m)	Margin Limit (dB)	Factor (dB)	Test value	Polarization
1458.25	21.68	16.07	74.00	57.93	-5.61	Vertical	Peak
4914.22	26.57	33.85	74.00	40.15	7.28	Vertical	Peak
7068.88	27.02	41.37	68.20	26.83	14.35	Vertical	Peak
10303.06	28.41	45.88	68.20	22.32	17.47	Vertical	Peak
1608.06	22.48	16.21	74.00	57.79	-6.27	Horizontal	Peak
3167.88	30.60	31.27	68.20	36.93	0.67	Horizontal	Peak
8048.53	28.32	44.58	74.00	29.42	16.26	Horizontal	Peak
9589.25	29.50	46.70	68.20	21.50	17.20	Horizontal	Peak

Band: III		Worst mode: 802.11a			Test channel: CH _H		
Frequency (MHz)	Read Level (dBuV)	Level (dBuV/m)	Limit Line (dBuV/m)	Margin Limit (dB)	Factor (dB)	Test value	Polarization
1753.47	23.03	17.09	68.20	51.11	-5.94	Vertical	Peak
4561.72	27.33	32.94	74.00	41.06	5.61	Vertical	Peak
6848.56	27.16	40.80	68.20	27.40	13.64	Vertical	Peak
9492.31	28.19	46.15	74.00	27.85	17.96	Vertical	Peak
1753.47	22.08	16.14	68.20	52.06	-5.94	Horizontal	Peak
4226.84	27.39	31.20	74.00	42.80	3.81	Horizontal	Peak
6707.56	27.24	40.69	68.20	27.51	13.45	Horizontal	Peak
9282.28	29.16	46.86	68.20	21.34	17.70	Horizontal	Peak

Remark:

1. Final Level = Receiver Read level + Antenna Factor + Cable Loss – Pre-amplifier Factor
2. The emission levels of other frequencies are very lower than the limit and not show in test report.
3. Measuring frequencies from 1 GHz to 40GHz.
4. Test 802.11a, 802.11n, 802.11ac mode, all modulations have been tested, only worst case is reported

Band: IV		Worst mode: 802.11a			Test channel: CH _L		
Frequency (MHz)	Read Level (dBuV)	Level (dBuV/m)	Limit Line (dBuV/m)	Margin Limit (dB)	Factor (dB)	Test value	Polarization
1383.34	21.52	15.94	74.00	58.06	-5.58	Vertical	Peak
4106.41	26.65	29.94	74.00	44.06	3.29	Vertical	Peak
7941.31	28.14	44.40	68.20	23.80	16.26	Vertical	Peak
9671.50	29.65	46.81	68.20	21.39	17.16	Vertical	Peak
1815.16	22.20	16.40	68.20	51.80	-5.80	Horizontal	Peak
4005.06	27.83	30.86	74.00	43.14	3.03	Horizontal	Peak
6427.03	27.14	38.76	68.20	29.44	11.62	Horizontal	Peak
8105.81	29.36	45.68	74.00	28.32	16.32	Horizontal	Peak

Band: IV		Worst mode: 802.11a			Test channel: CH _M		
Frequency (MHz)	Read Level (dBuV)	Level (dBuV/m)	Limit Line (dBuV/m)	Margin Limit (dB)	Factor (dB)	Test value	Polarization
1361.31	22.11	16.53	74.00	57.47	-5.58	Vertical	Peak
2266.06	21.89	19.34	74.00	54.66	-2.55	Vertical	Peak
4666.00	26.04	32.21	74.00	41.79	6.17	Vertical	Peak
8029.44	27.90	44.13	74.00	29.87	16.23	Vertical	Peak
1265.84	22.58	16.92	68.20	51.28	-5.66	Horizontal	Peak
3182.56	29.92	30.67	68.20	37.53	0.75	Horizontal	Peak
7145.25	27.92	42.60	68.20	25.60	14.68	Horizontal	Peak
9483.50	28.96	46.86	74.00	27.14	17.90	Horizontal	Peak

Band: IV		Worst mode: 802.11a			Test channel: CH _H		
Frequency (MHz)	Read Level (dBuV)	Level (dBuV/m)	Limit Line (dBuV/m)	Margin Limit (dB)	Factor (dB)	Test value	Polarization
1198.28	23.12	17.27	74.00	56.73	-5.85	Vertical	Peak
3665.78	29.85	31.39	74.00	42.61	1.54	Vertical	Peak
7913.41	27.77	44.06	68.20	24.14	16.29	Vertical	Peak
9323.41	28.55	46.34	74.00	27.66	17.79	Vertical	Peak
1361.31	22.13	16.55	74.00	57.45	-5.58	Horizontal	Peak
4746.78	26.76	33.45	74.00	40.55	6.69	Horizontal	Peak
7521.25	27.85	43.36	74.00	30.64	15.51	Horizontal	Peak
10919.94	28.02	45.79	68.20	22.41	17.77	Horizontal	Peak

Remark:

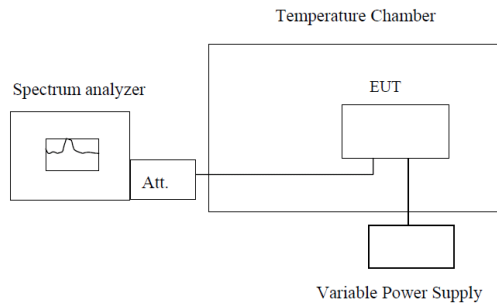
1. Final Level = Receiver Read level + Antenna Factor + Cable Loss – Preamplifier Factor
2. The emission levels of other frequencies are very lower than the limit and not show in test report.
3. Measuring frequencies from 1 GHz to 40GHz.
4. Test 802.11a, 802.11n, 802.11ac mode, all modulations have been tested, only worst case is reported

5.9. Frequency stability

LIMIT

Within Operation Band

TEST CONFIGURATION



Note : Measurement setup for testing on Antenna connector

TEST PROCEDURE

1. The equipment under test was connected to an external power supply.
2. RF output was connected to a frequency counter or spectrum analyzer via feed through attenuators.
3. The EUT was placed inside the temperature chamber.
4. Set the spectrum analyzer RBW low enough to obtain the desired frequency resolution and measure EUT 25°C operating frequency as reference frequency.
5. Turn EUT off and set the chamber temperature to -20°C. After the temperature stabilized for approximately 30 minutes recorded the frequency.
6. Repeat step measure with 10°C increased per stage until the highest temperature of +50°C reached..

TEST MODE:

Please refer to the clause 4.3

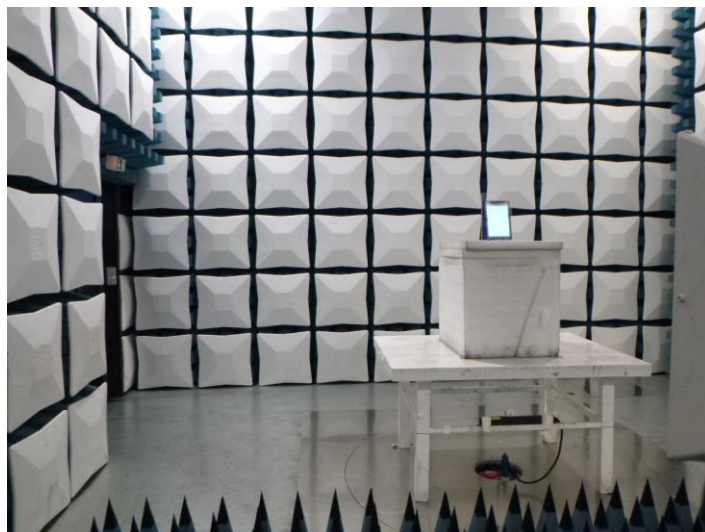
TEST RESULT

Passed Not Applicable

Please refer to appendix G on the appendix report

6. TEST SETUP PHOTOS

Radiated Emission



AC Conducted Emission



7. EXTERANAL AND INTERNAL PHOTOS

Reference to the test report No. CHTEW21050141

8. APPENDIX REPORT