



國際電器認證中心有限公司 International Electrical Certification Centre Ltd.

提供電器產品測試國際認證及諮詢服務 Technical Services in Electrical Product Testing, International Certification & Information

FCC ID: A2H4L9CDG-2S

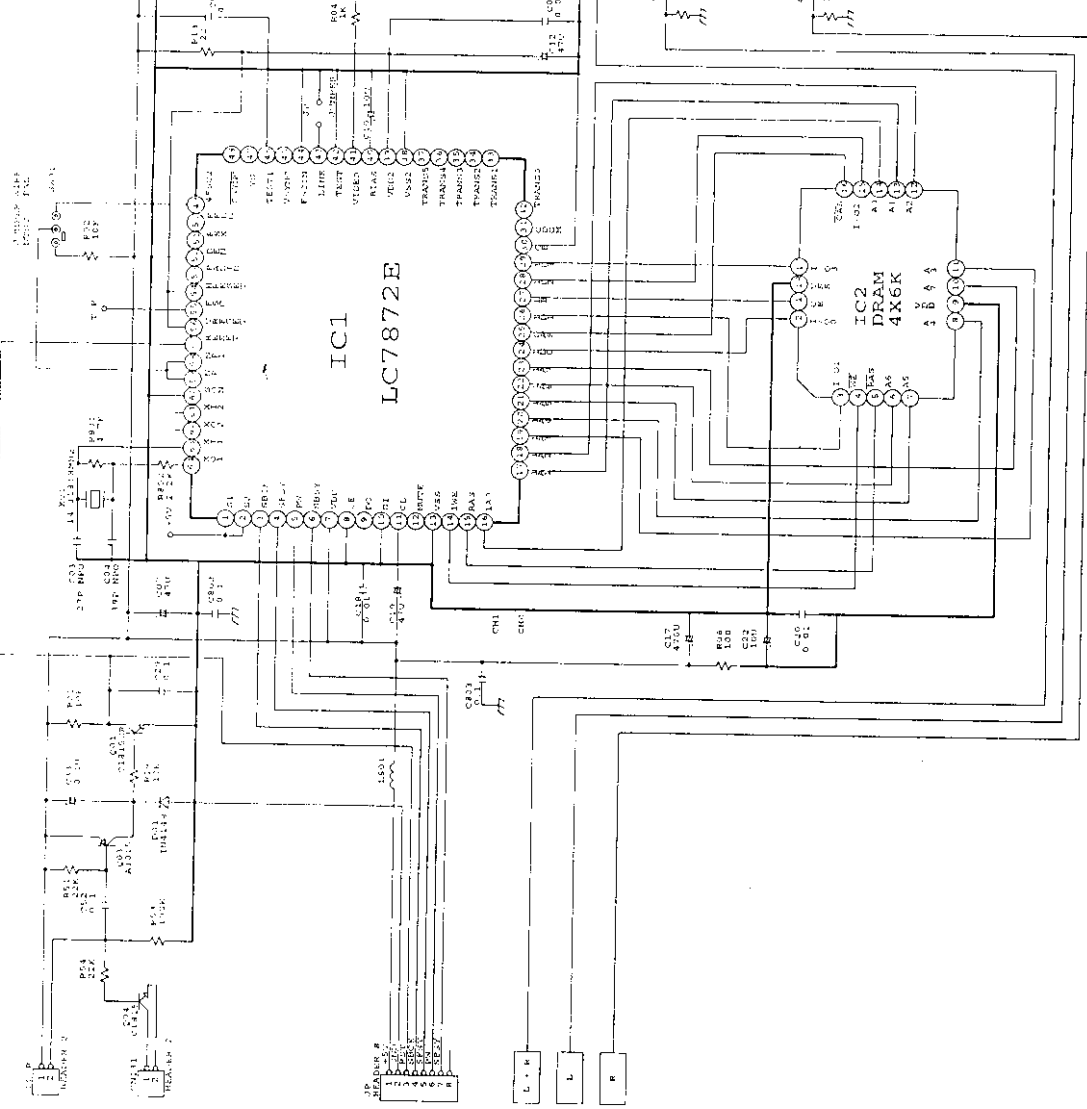
Agent of 
Accredited Laboratory

Exhibit 4 - Schematic Diagram

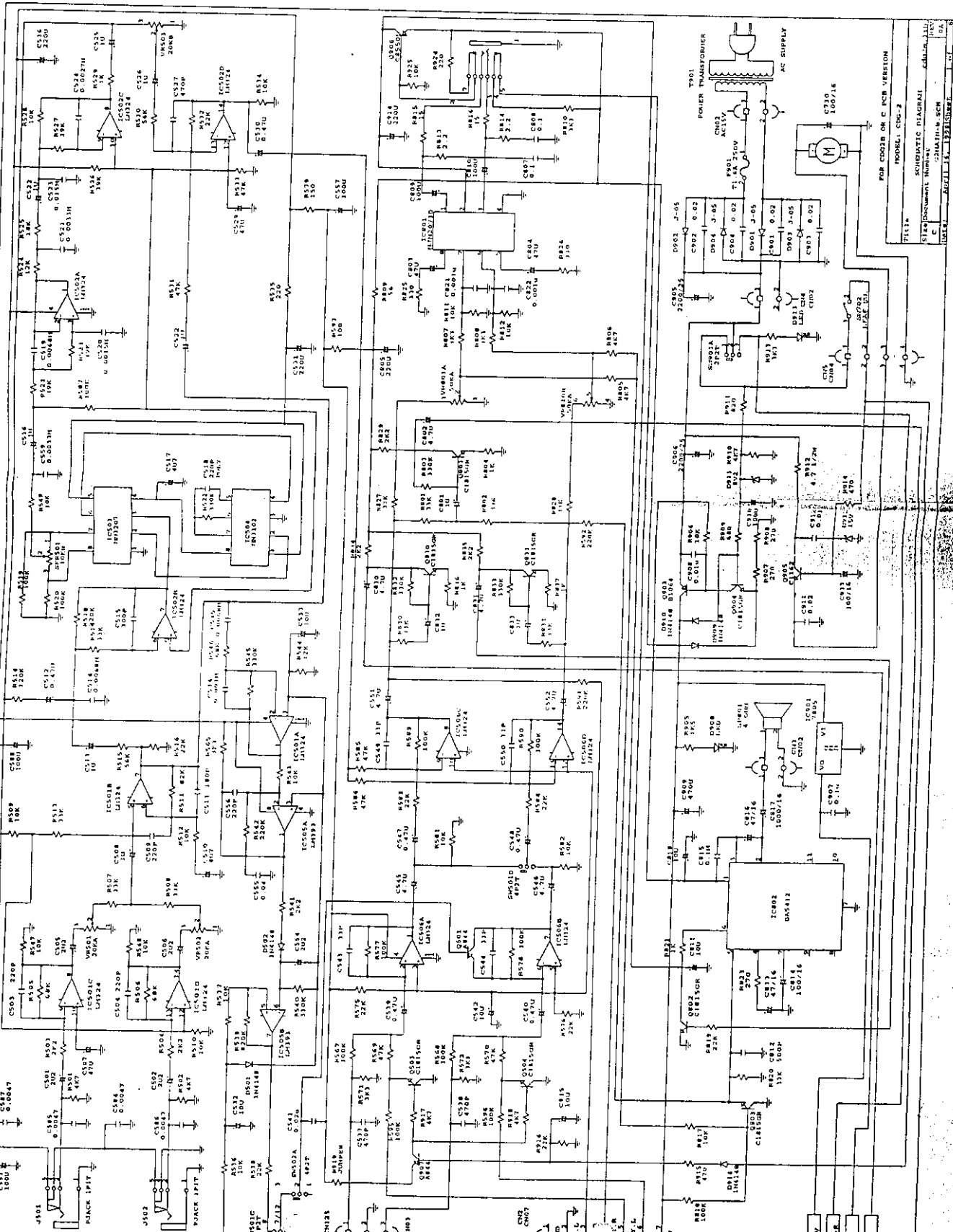
Head Office

Unit 602 605, 6/F, 31 Lok Yip Road, On Lok Tsuen, Fanling, NT, Hong Kong Tel (852) 2305 2570 Fax (852) 2756 4480
香港新界粉嶺安樂村樂業路31號602-605二樓新

LOCAL SYSTEM REF. SYSTEM ONLY
 L20 PAL ADDRESS PAL PAL ADDRESS
 L21 PAL ADDRESS PAL PAL ADDRESS
 L22 PAL ADDRESS PAL PAL ADDRESS
 L23 PAL ADDRESS PAL PAL ADDRESS
 L24 PAL ADDRESS PAL PAL ADDRESS
 L25 PAL ADDRESS PAL PAL ADDRESS
 L26 PAL ADDRESS PAL PAL ADDRESS
 L27 PAL ADDRESS PAL PAL ADDRESS
 L28 PAL ADDRESS PAL PAL ADDRESS
 L29 PAL ADDRESS PAL PAL ADDRESS
 L30 PAL ADDRESS PAL PAL ADDRESS
 L31 PAL ADDRESS PAL PAL ADDRESS
 L32 PAL ADDRESS PAL PAL ADDRESS
 L33 PAL ADDRESS PAL PAL ADDRESS
 L34 PAL ADDRESS PAL PAL ADDRESS
 L35 PAL ADDRESS PAL PAL ADDRESS
 L36 PAL ADDRESS PAL PAL ADDRESS
 L37 PAL ADDRESS PAL PAL ADDRESS
 L38 PAL ADDRESS PAL PAL ADDRESS
 L39 PAL ADDRESS PAL PAL ADDRESS
 L40 PAL ADDRESS PAL PAL ADDRESS
 L41 PAL ADDRESS PAL PAL ADDRESS
 L42 PAL ADDRESS PAL PAL ADDRESS
 L43 PAL ADDRESS PAL PAL ADDRESS
 L44 PAL ADDRESS PAL PAL ADDRESS
 L45 PAL ADDRESS PAL PAL ADDRESS
 L46 PAL ADDRESS PAL PAL ADDRESS
 L47 PAL ADDRESS PAL PAL ADDRESS
 L48 PAL ADDRESS PAL PAL ADDRESS
 L49 PAL ADDRESS PAL PAL ADDRESS
 L50 PAL ADDRESS PAL PAL ADDRESS
 L51 PAL ADDRESS PAL PAL ADDRESS
 L52 PAL ADDRESS PAL PAL ADDRESS
 L53 PAL ADDRESS PAL PAL ADDRESS
 L54 PAL ADDRESS PAL PAL ADDRESS
 L55 PAL ADDRESS PAL PAL ADDRESS
 L56 PAL ADDRESS PAL PAL ADDRESS
 L57 PAL ADDRESS PAL PAL ADDRESS
 L58 PAL ADDRESS PAL PAL ADDRESS
 L59 PAL ADDRESS PAL PAL ADDRESS
 L60 PAL ADDRESS PAL PAL ADDRESS
 L61 PAL ADDRESS PAL PAL ADDRESS
 L62 PAL ADDRESS PAL PAL ADDRESS
 L63 PAL ADDRESS PAL PAL ADDRESS
 L64 PAL ADDRESS PAL PAL ADDRESS
 L65 PAL ADDRESS PAL PAL ADDRESS
 L66 PAL ADDRESS PAL PAL ADDRESS
 L67 PAL ADDRESS PAL PAL ADDRESS
 L68 PAL ADDRESS PAL PAL ADDRESS
 L69 PAL ADDRESS PAL PAL ADDRESS
 L70 PAL ADDRESS PAL PAL ADDRESS
 L71 PAL ADDRESS PAL PAL ADDRESS
 L72 PAL ADDRESS PAL PAL ADDRESS
 L73 PAL ADDRESS PAL PAL ADDRESS
 L74 PAL ADDRESS PAL PAL ADDRESS
 L75 PAL ADDRESS PAL PAL ADDRESS
 L76 PAL ADDRESS PAL PAL ADDRESS
 L77 PAL ADDRESS PAL PAL ADDRESS
 L78 PAL ADDRESS PAL PAL ADDRESS
 L79 PAL ADDRESS PAL PAL ADDRESS
 L80 PAL ADDRESS PAL PAL ADDRESS
 L81 PAL ADDRESS PAL PAL ADDRESS
 L82 PAL ADDRESS PAL PAL ADDRESS
 L83 PAL ADDRESS PAL PAL ADDRESS
 L84 PAL ADDRESS PAL PAL ADDRESS
 L85 PAL ADDRESS PAL PAL ADDRESS
 L86 PAL ADDRESS PAL PAL ADDRESS
 L87 PAL ADDRESS PAL PAL ADDRESS
 L88 PAL ADDRESS PAL PAL ADDRESS
 L89 PAL ADDRESS PAL PAL ADDRESS
 L90 PAL ADDRESS PAL PAL ADDRESS
 L91 PAL ADDRESS PAL PAL ADDRESS
 L92 PAL ADDRESS PAL PAL ADDRESS
 L93 PAL ADDRESS PAL PAL ADDRESS
 L94 PAL ADDRESS PAL PAL ADDRESS
 L95 PAL ADDRESS PAL PAL ADDRESS
 L96 PAL ADDRESS PAL PAL ADDRESS
 L97 PAL ADDRESS PAL PAL ADDRESS
 L98 PAL ADDRESS PAL PAL ADDRESS
 L99 PAL ADDRESS PAL PAL ADDRESS
 L100 PAL ADDRESS PAL PAL ADDRESS



MODEL	LC7872E
DATE	1982
DESIGNED BY	...
CHECKED BY	...
APPROVED BY	...
DATE	...

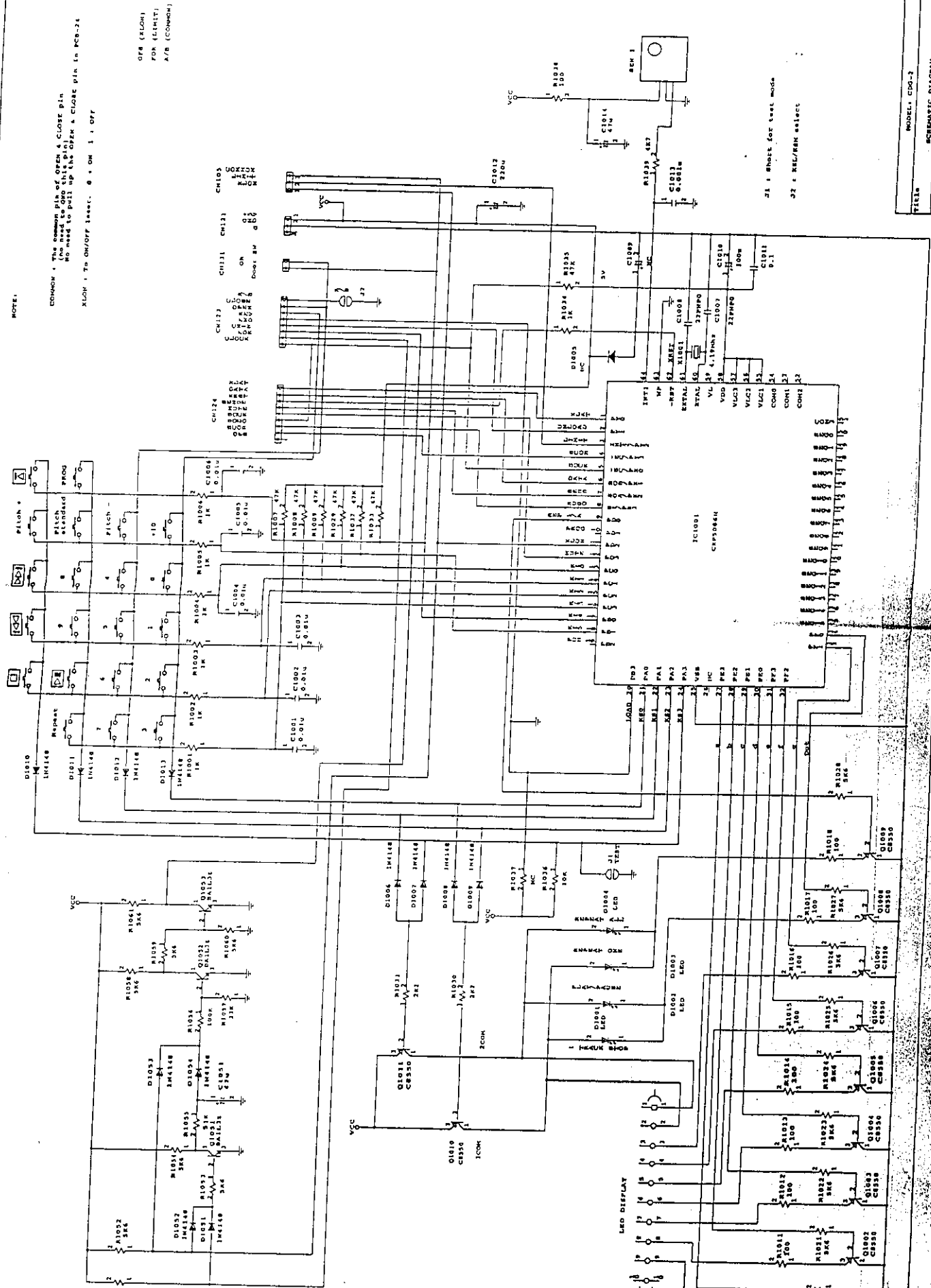


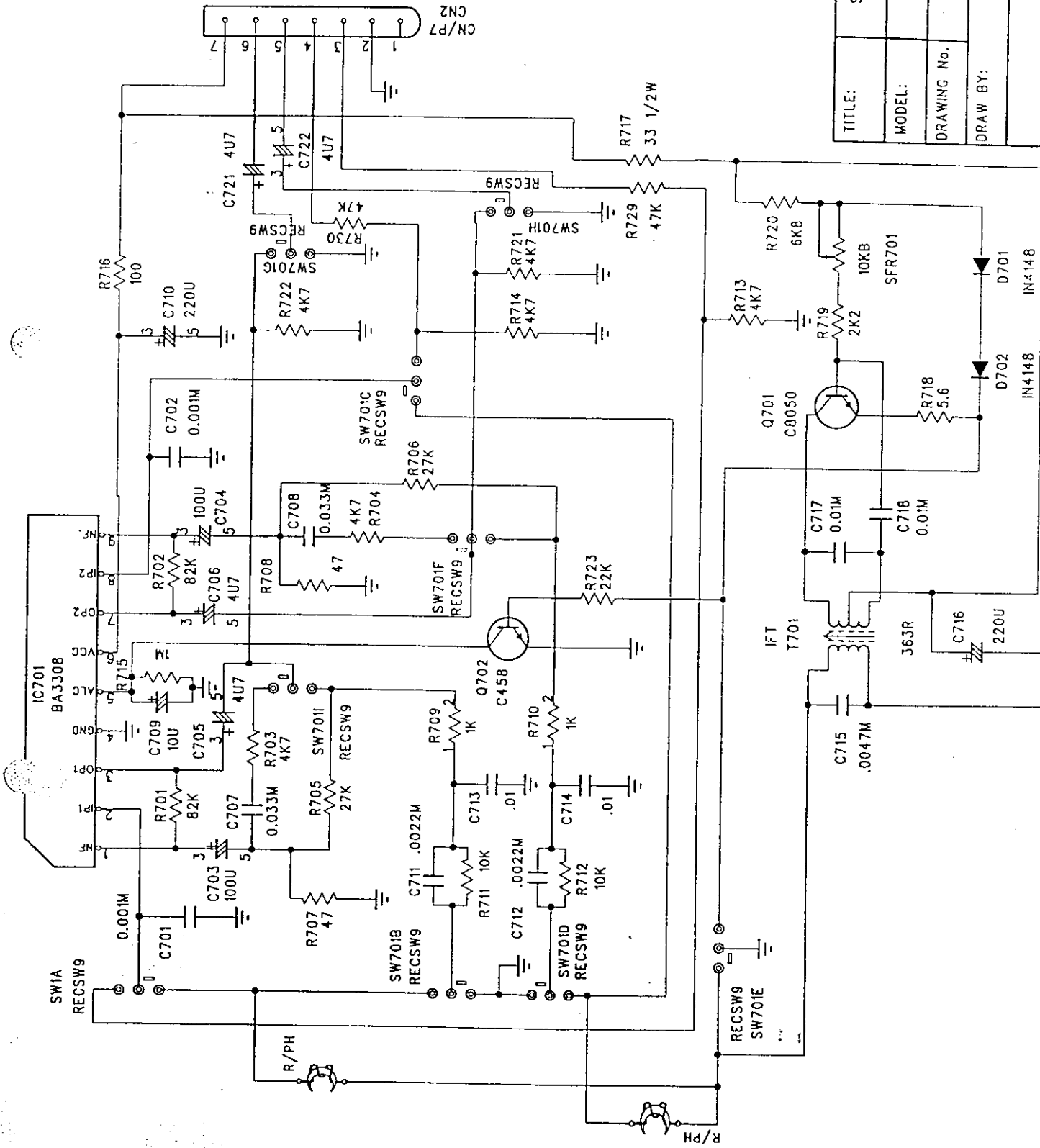
MODEL: CUG-2
 SIZE: DIMENSIONAL NUMBER
 DATE: 11/11/66
 DRAWN BY: J. J. BISHOP
 CHECKED BY: J. J. BISHOP
 FOR CUG-2 OR C PCB VERSION

NOTE:

COMMON - The common pin of OPEN & CLOSE pin
is connected to the common pin of the diode.
No need to pull up the OPEN & CLOSE pin in PCB-24

OFF (XLOW)
FOR (LIMIT)
A/B (COMMON)





TITLE:	SCHEMATIC DIAGRAM
MODEL:	CDG-2
DRAWING No.:	CDG2-CASS
DRAW BY:	CHECK BY:
	REV.:

DATE: 11-0-1965

