



香港標準及檢定中心
The Hong Kong Standards and Testing Centre Ltd

Date : July 4, 1998

FCC ID: A2H4L92960

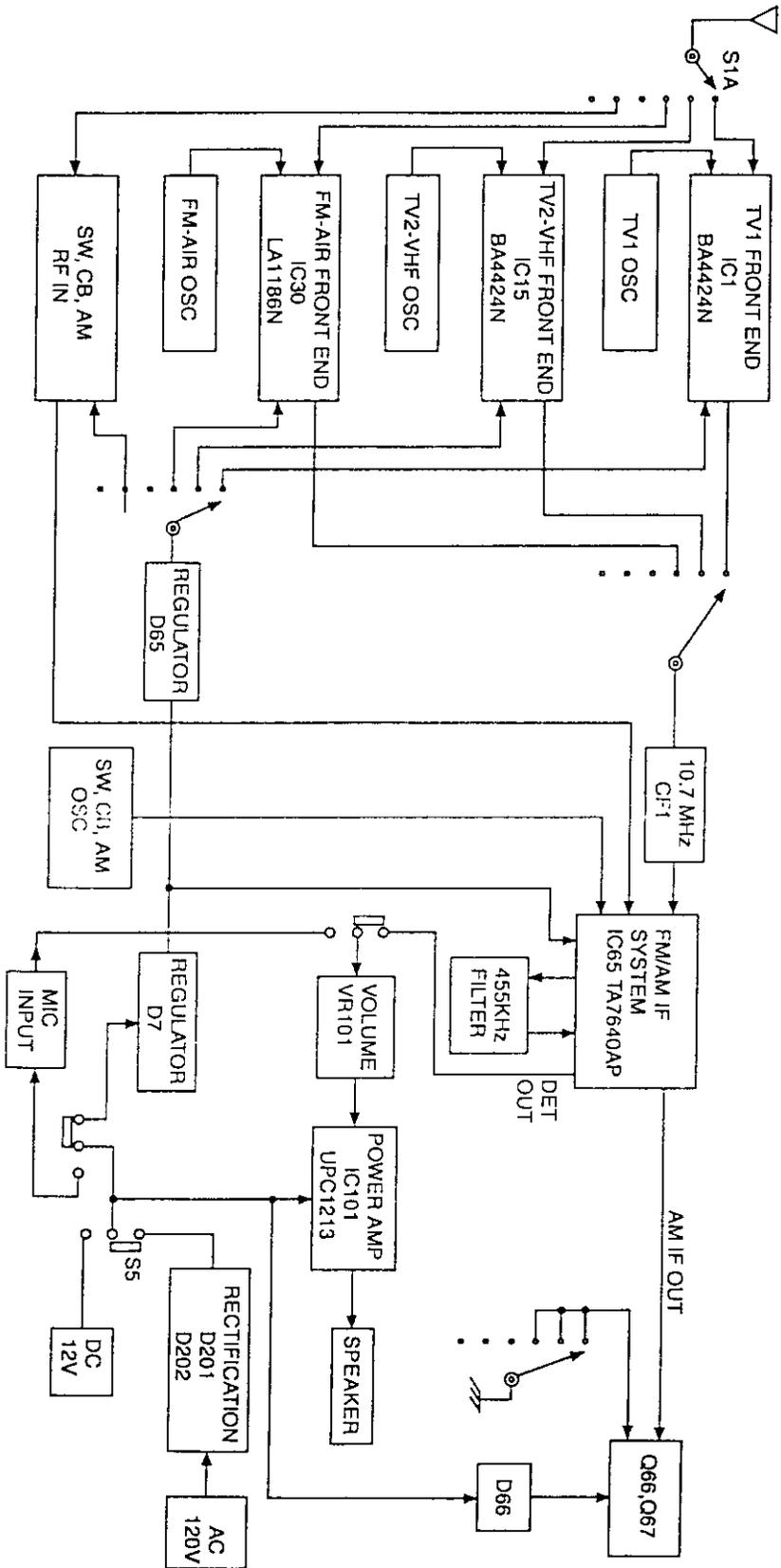
EXPOSITORY STATEMENT

=====
This device under application is a piece of **Multiband Broadcast Receiver - Radio Receiver** using frequency of **Citizen Band 27MHz, FM Band 88.3- 108.3MHz, Air Band 108.3-135.3MHz, TV1 Band 59.75-87.75MHz, TV2 Band 179.5-215.75MHz, PBH Band 145.3-175.3MHz, Weather Band 163.0MHz** has the carrier frequency for radio communications.

For details of the construction of the Device, please refer to the following documents submitted by the Applicant:

- 1) Circuit Diagram
- 2) Block Diagram
- 3) PCB Layout

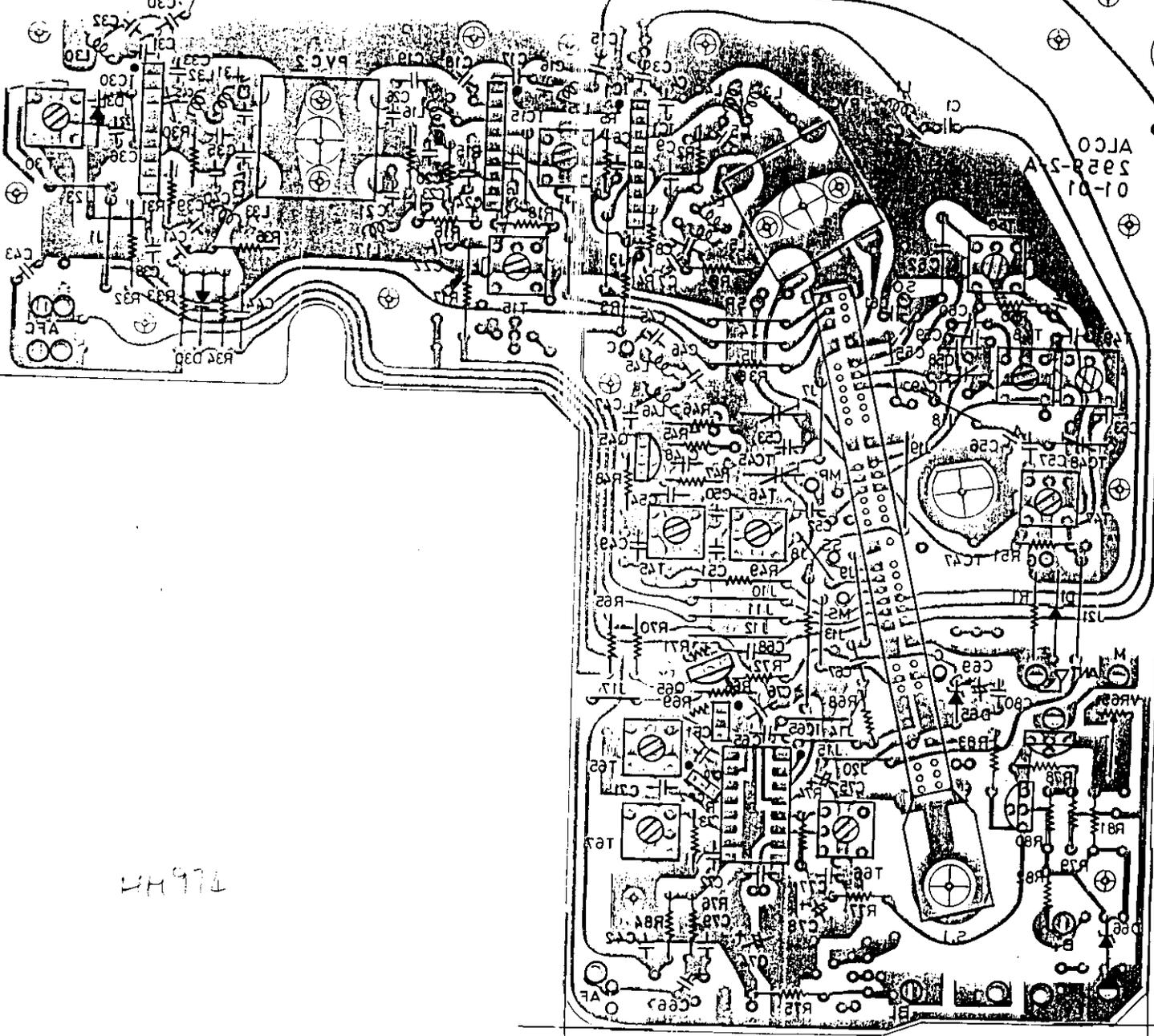




287.5 mm

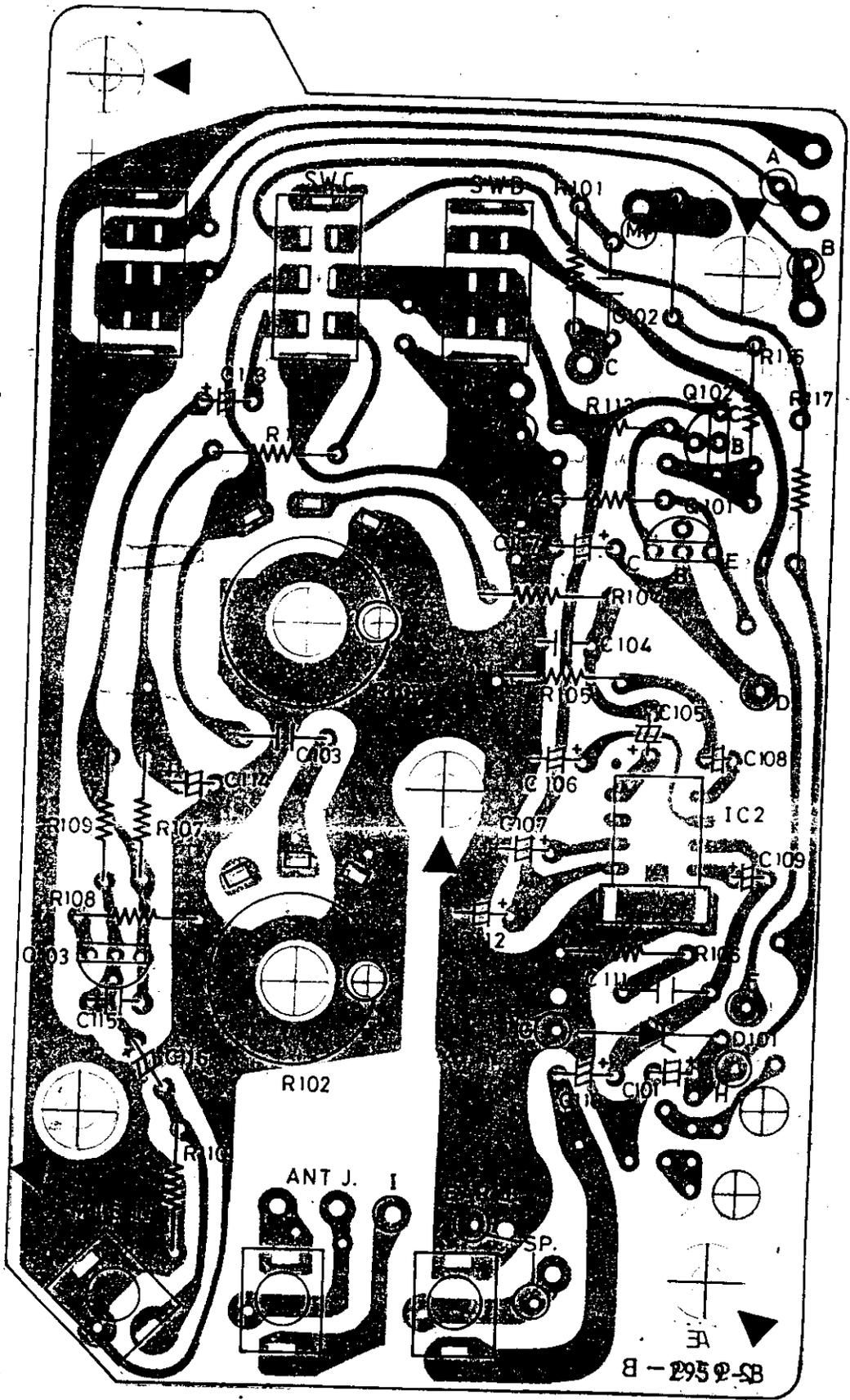
ALCO
2959-2-A
01-01

ALCO
2959-2-A
01-01



7767

FCC ID: A2H4L92960



718/974

BS-8562-B

