



香港標準及檢定中心
The Hong Kong Standards and Testing Centre Ltd

Date : August 11, 1998

FCC ID: A2H4L912-795

EXPOSITORY STATEMENT

=====

This device under application is a piece of Multiband Broadcast Receiver - Radio Receiver using frequency of Citizen Band 27MHz, FM Band 88.3- 108.3MHz, Air Band 108.3-135.3MHz, TV1 Band 59.75-87.75MHz, TV2 Band 179.5-215.75MHz, PBH Band 145.3-175.3MHz, Weather Band 163.0MHz has the carrier frequency for radio communications.

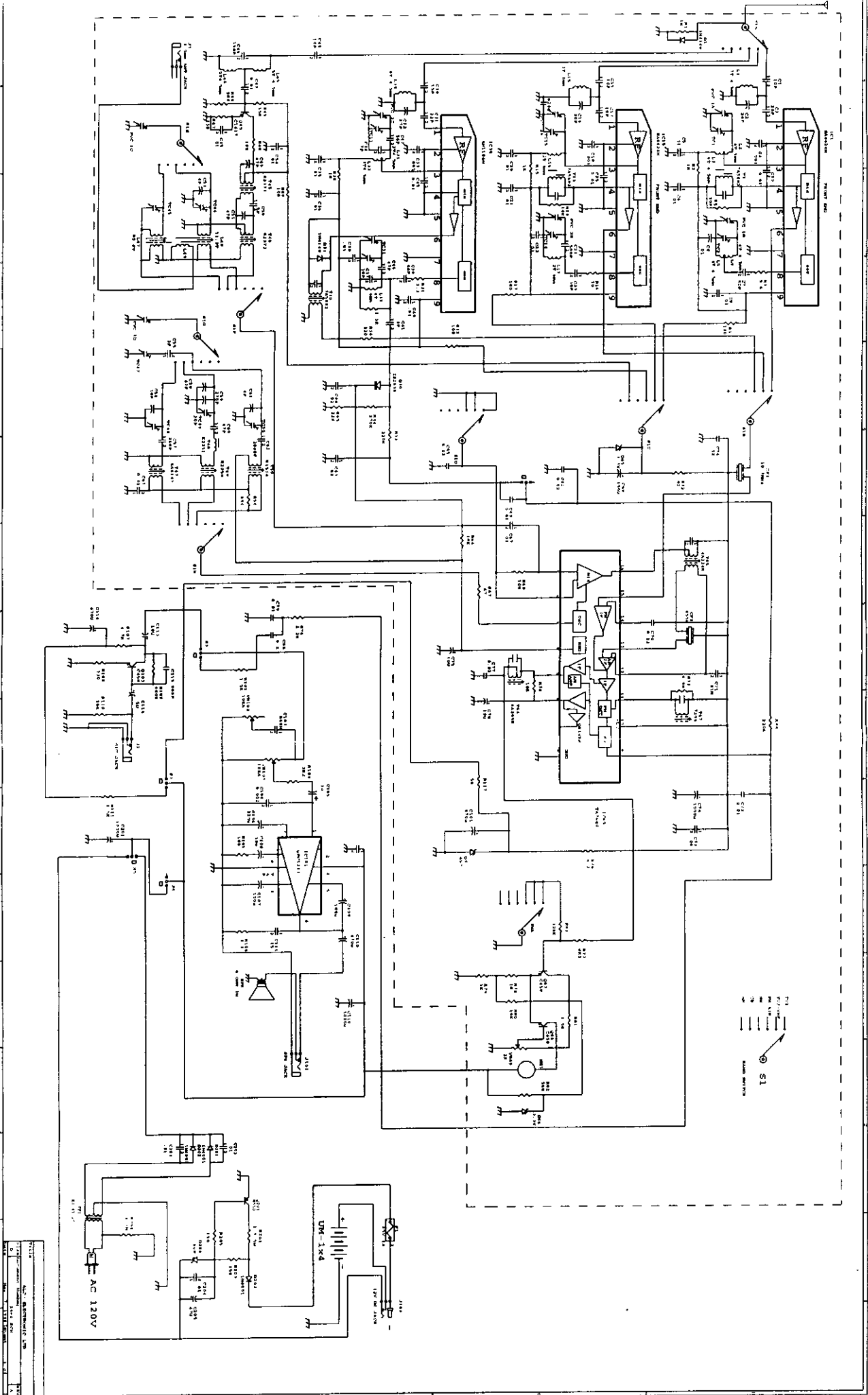
For details of the construction of the Device, please refer to the following documents submitted by the Applicant:

- 1) **Circuit Diagram**
- 2) **Block Diagram**
- 3) **PCB Layout**

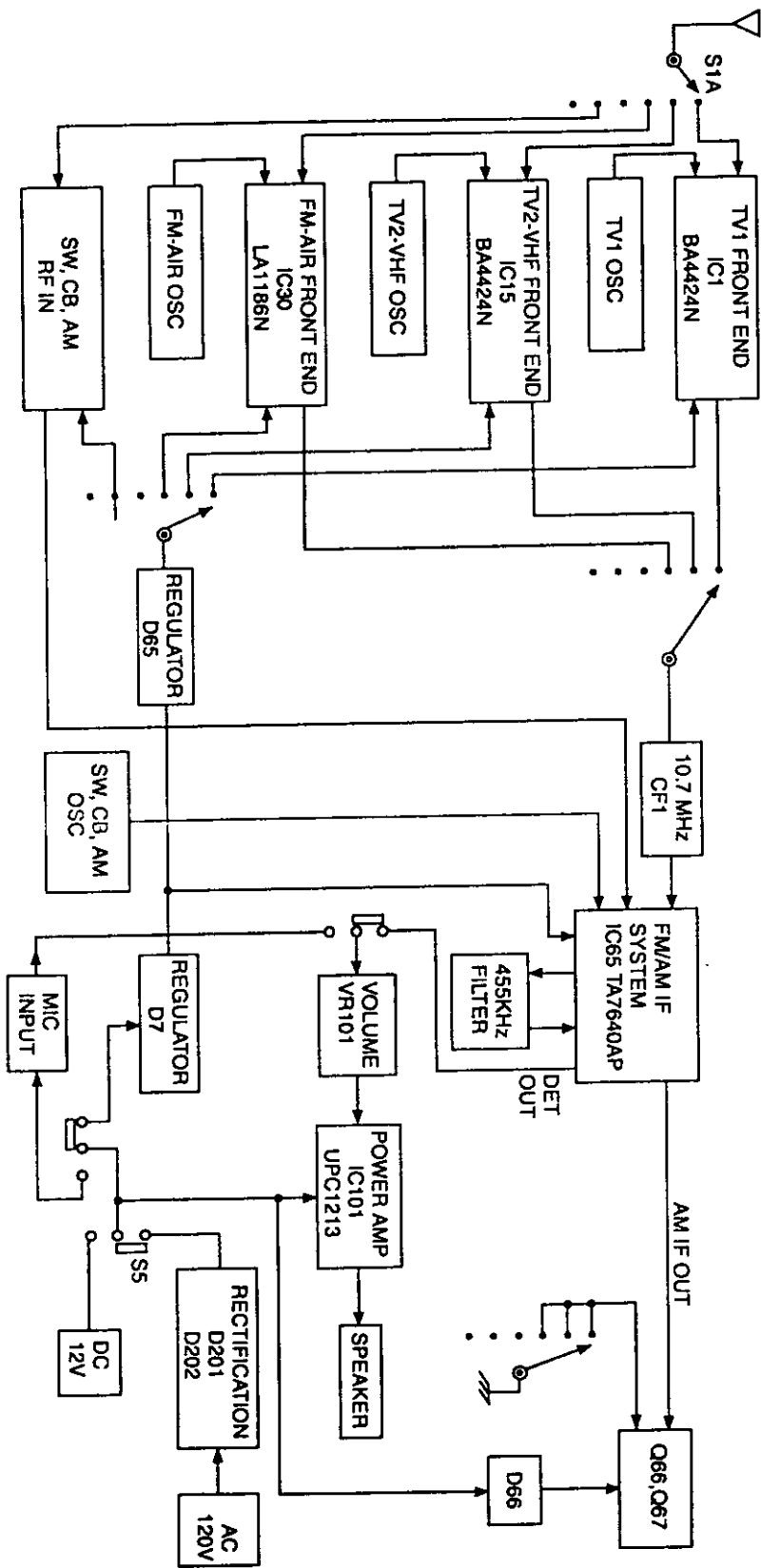


440974

DOC ID: A2HLL912-795

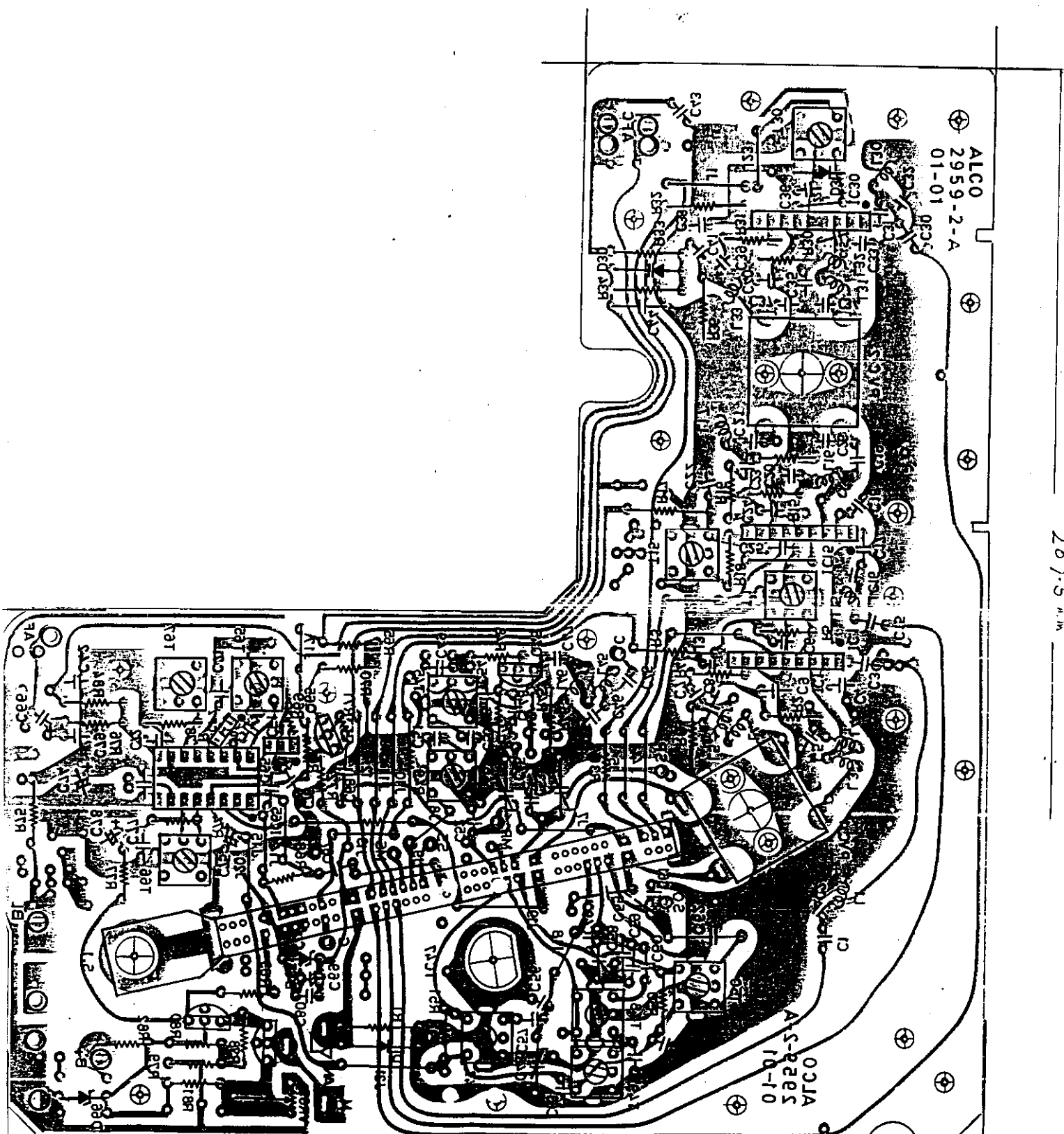


100-100000-01
 100-100000-02
 100-100000-03
 100-100000-04
 100-100000-05
 100-100000-06
 100-100000-07
 100-100000-08
 100-100000-09
 100-100000-10
 100-100000-11
 100-100000-12
 100-100000-13
 100-100000-14
 100-100000-15
 100-100000-16
 100-100000-17
 100-100000-18
 100-100000-19
 100-100000-20
 100-100000-21
 100-100000-22
 100-100000-23
 100-100000-24
 100-100000-25
 100-100000-26
 100-100000-27
 100-100000-28
 100-100000-29
 100-100000-30
 100-100000-31
 100-100000-32
 100-100000-33
 100-100000-34
 100-100000-35
 100-100000-36
 100-100000-37
 100-100000-38
 100-100000-39
 100-100000-40
 100-100000-41
 100-100000-42
 100-100000-43
 100-100000-44
 100-100000-45
 100-100000-46
 100-100000-47
 100-100000-48
 100-100000-49
 100-100000-50
 100-100000-51
 100-100000-52
 100-100000-53
 100-100000-54
 100-100000-55
 100-100000-56
 100-100000-57
 100-100000-58
 100-100000-59
 100-100000-60
 100-100000-61
 100-100000-62
 100-100000-63
 100-100000-64
 100-100000-65
 100-100000-66
 100-100000-67
 100-100000-68
 100-100000-69
 100-100000-70
 100-100000-71
 100-100000-72
 100-100000-73
 100-100000-74
 100-100000-75
 100-100000-76
 100-100000-77
 100-100000-78
 100-100000-79
 100-100000-80
 100-100000-81
 100-100000-82
 100-100000-83
 100-100000-84
 100-100000-85
 100-100000-86
 100-100000-87
 100-100000-88
 100-100000-89
 100-100000-90
 100-100000-91
 100-100000-92
 100-100000-93
 100-100000-94
 100-100000-95
 100-100000-96
 100-100000-97
 100-100000-98
 100-100000-99
 100-100000-100



44974

ALCO
2959-2-A
01-01 0835

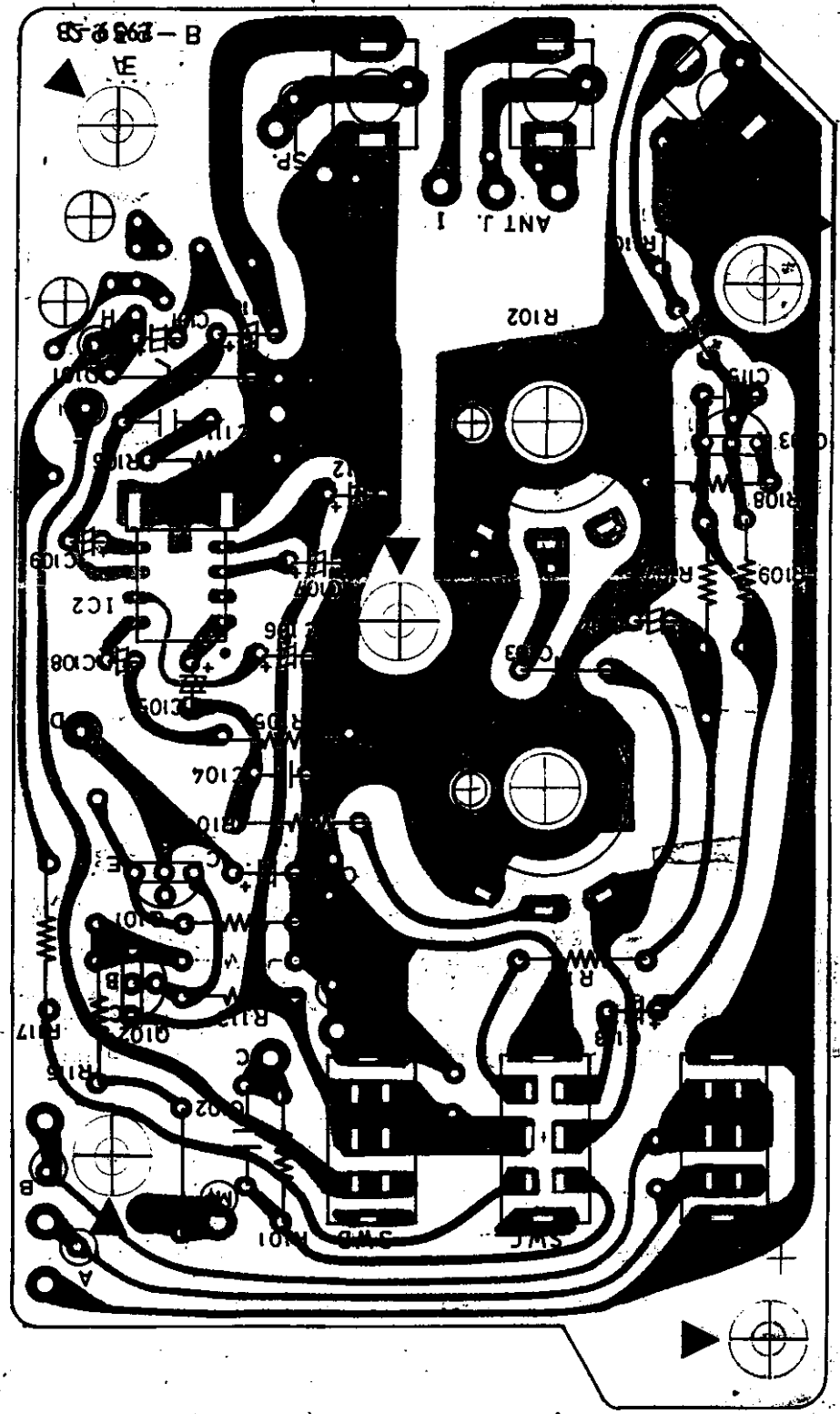


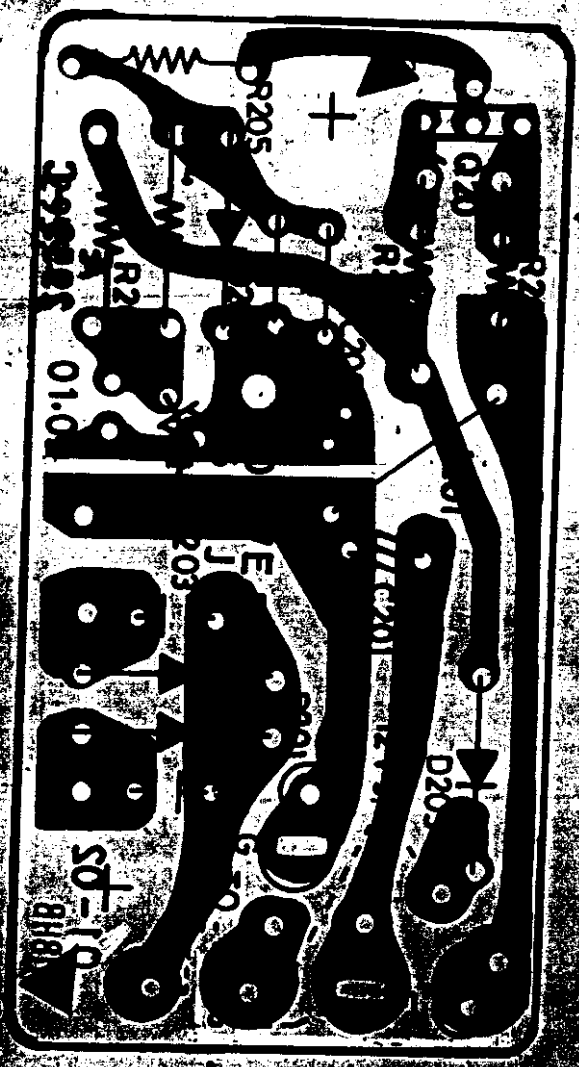
207-5 A.M.

44874

FOC ID: A2H4L912-795

D-100





01.0

50-10
BIB

