

6

5

4

3

2

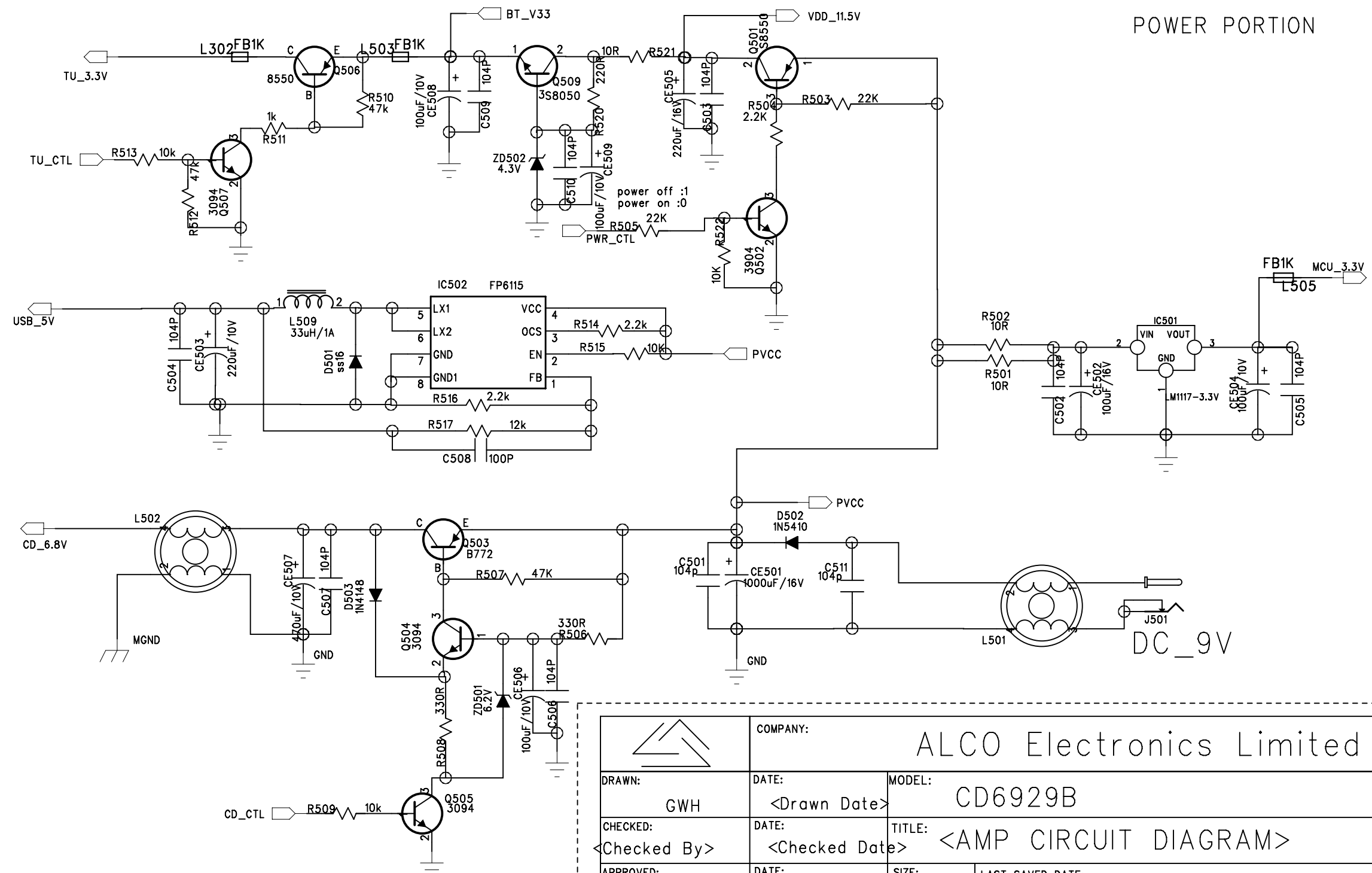
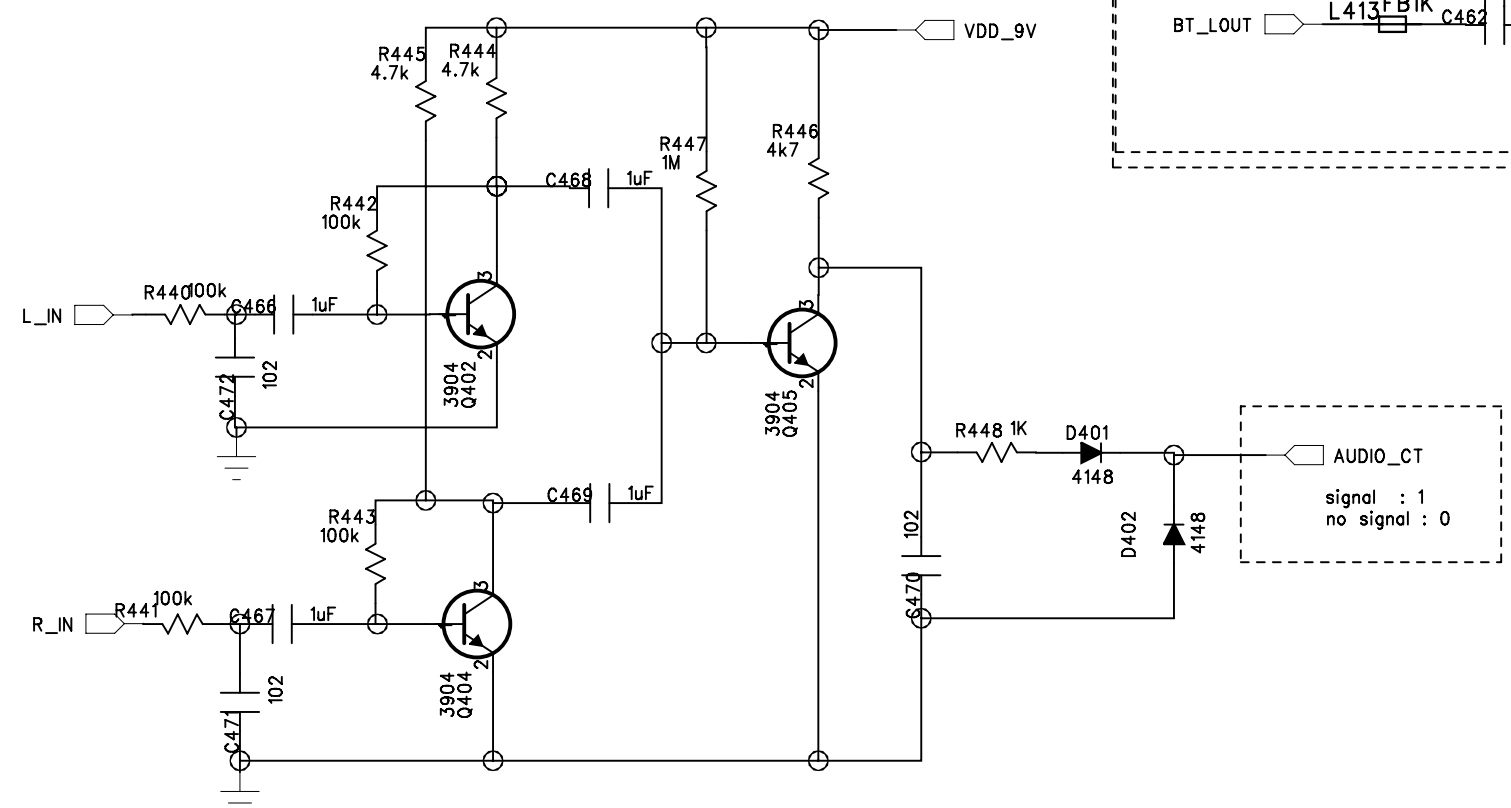
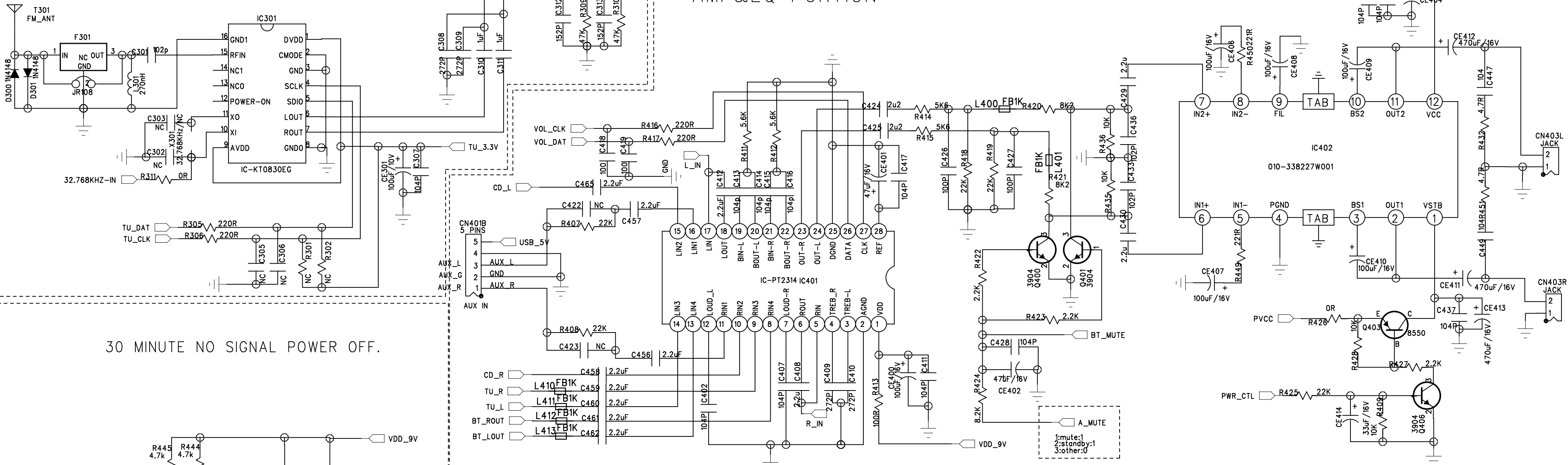
1

TUNER PORTION

AMP&EQ PORTION

30 MINUTE NO SIGNAL POWER OFF.

POWER PORTION



COMPANY: ALCO Electronics Limited		MODEL: CD6929B		REV: <Revision>
DRAWN: GWH	DATE: <Drawn Date>	TITLE: <AMP CIRCUIT DIAGRAM>		SHEET: 2 of 5
CHECKED: <Checked By>	DATE: <Checked Date>	LAST SAVED DATE: 02/23/2013		2
APPROVED: <APPROVED By>	DATE: <Approved Date>	A2		

6

5

4

3

2

1

D

D

C

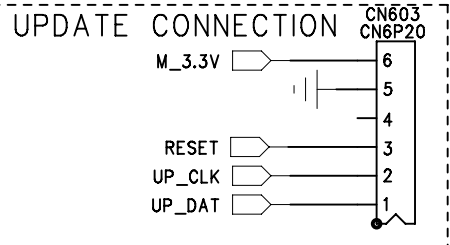
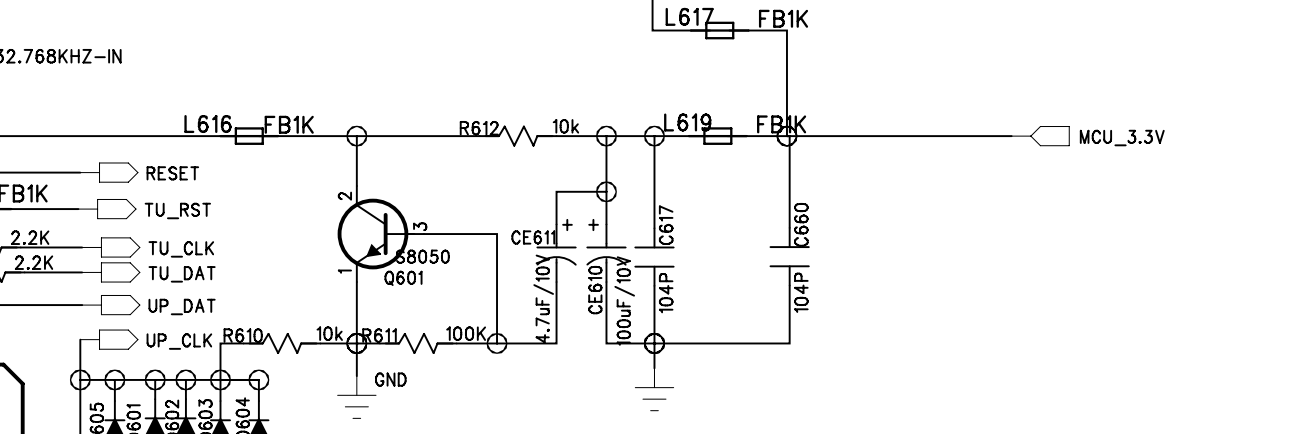
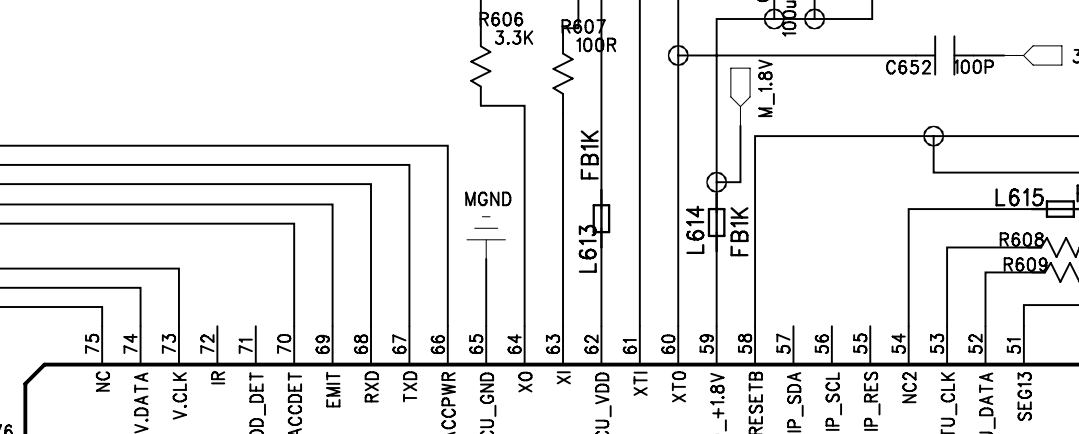
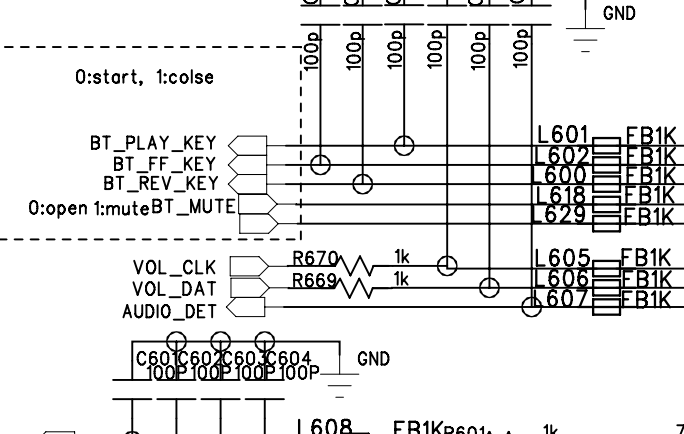
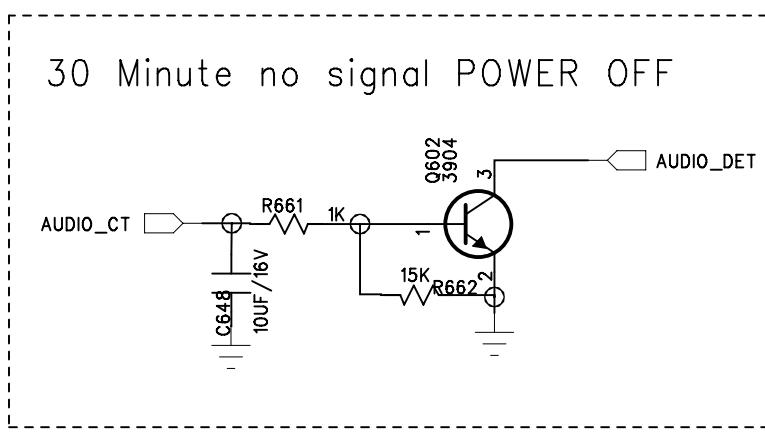
C

B

B

A

A



TO CD DOOR

TO CD MACHINE 16PIN

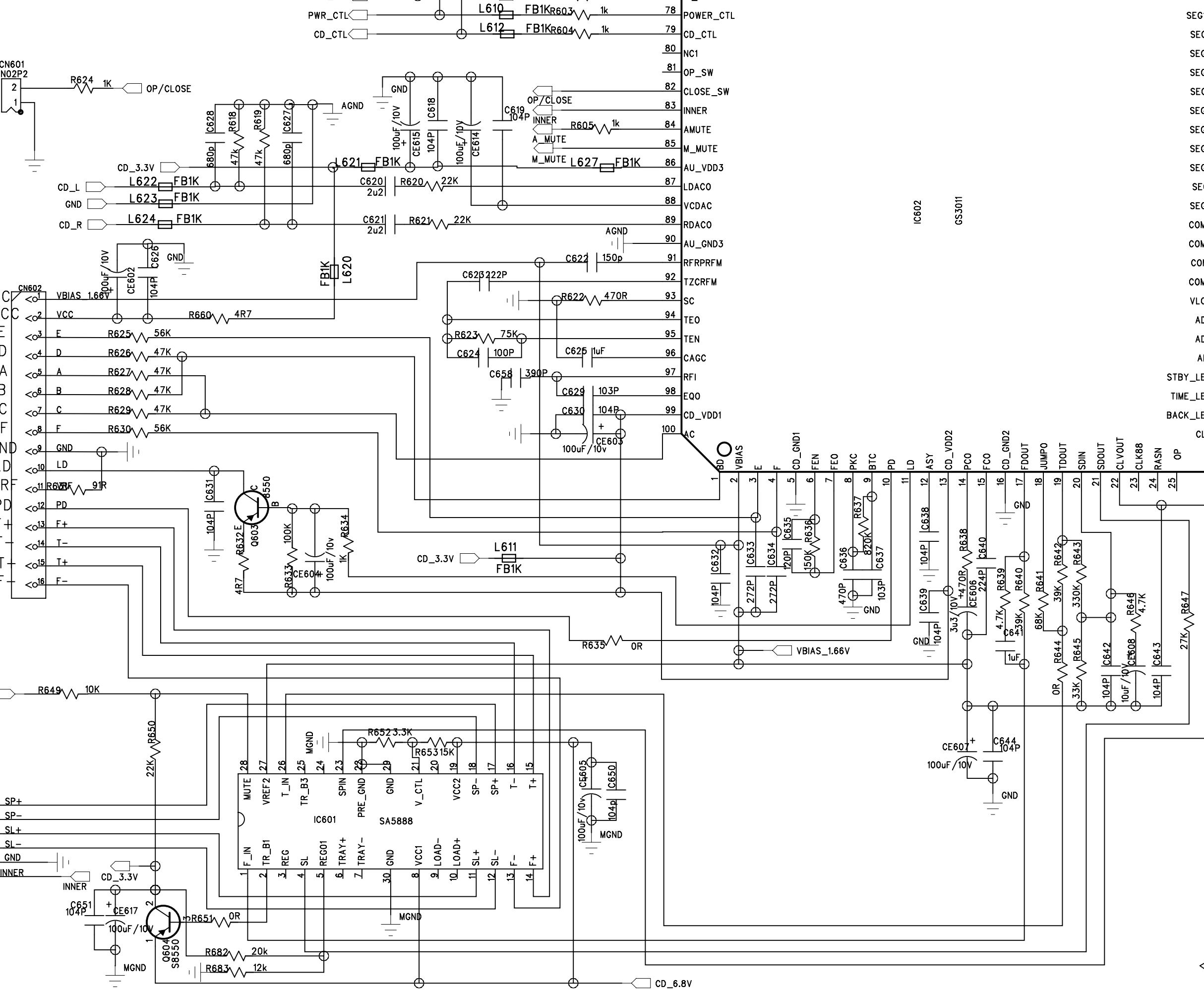
TO CD MACHINE 6PIN

TO CD MACHINE 6PIN

TO CD MACHINE 6PIN

TO CD MACHINE 6PIN

TO CD MACHINE 6PIN



TO DISPLAY BOARD

TO DISPLAY BOARD

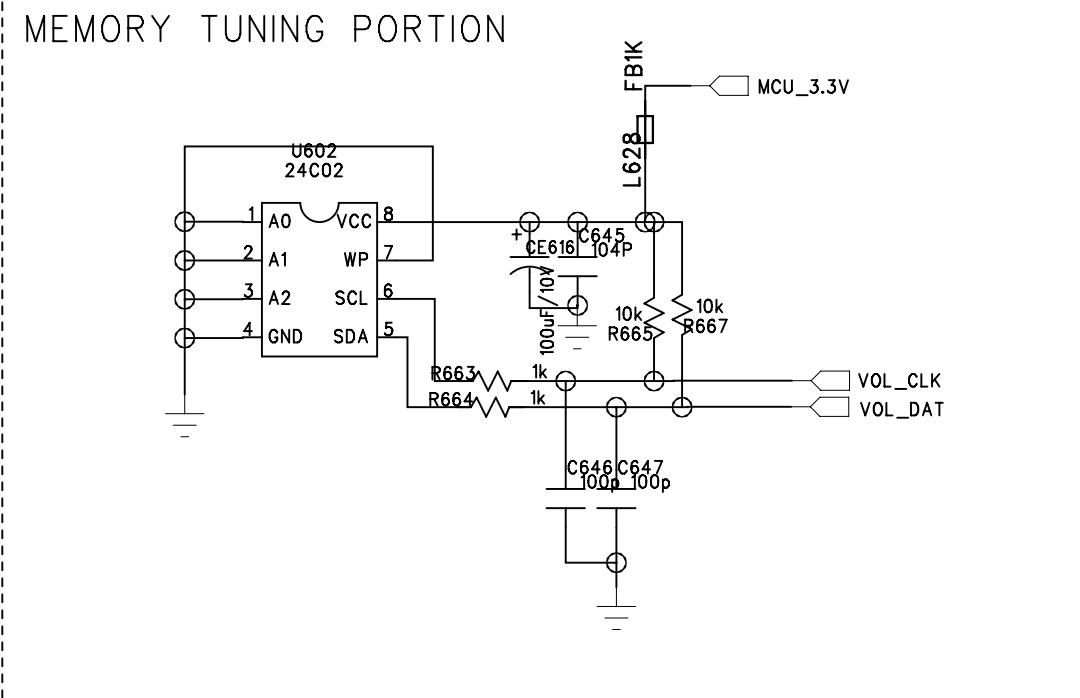
TO DISPLAY BOARD

TO DISPLAY BOARD

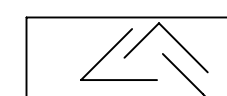
TO DISPLAY BOARD

TO DISPLAY BOARD

TO DISPLAY BOARD



DRAWN: GWH		DATE: <Drawn Date>		MODEL: CD6929B	
CHECKED: <Checked By>		DATE: <Checked Date>		TITLE: <CD&MCU CIRCUIT DIAGRAM>	
APPROVED: <APPROVED By>		DATE: <Approved Date>		SIZE: A2	
		LAST SAVED DATE: 02/23/2013		REV: <Revision>	
				SHEET: 3 of 5	



COMPANY: ALCO Electronics Limited

6

5

4

3

2

1

D

D

C

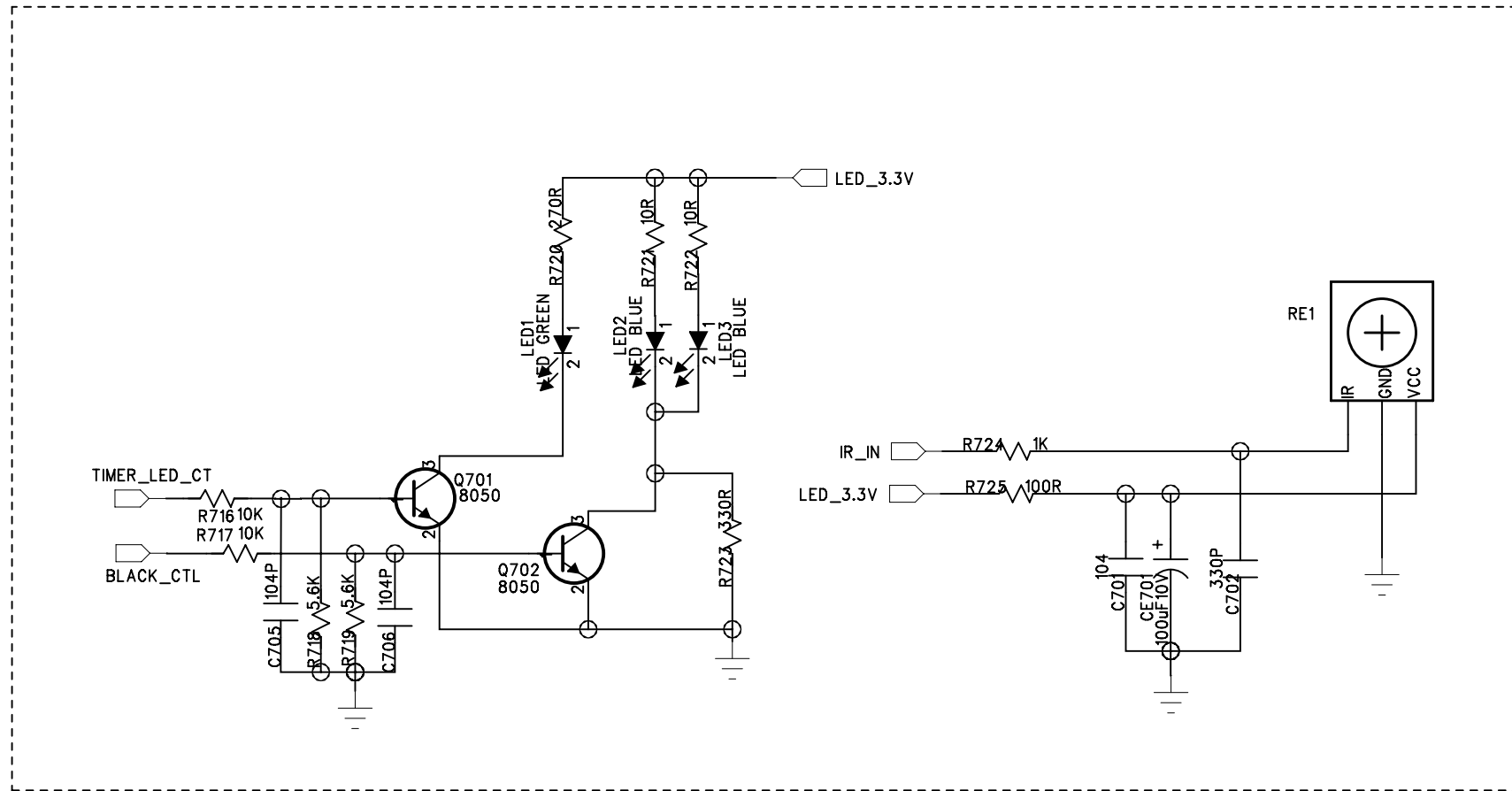
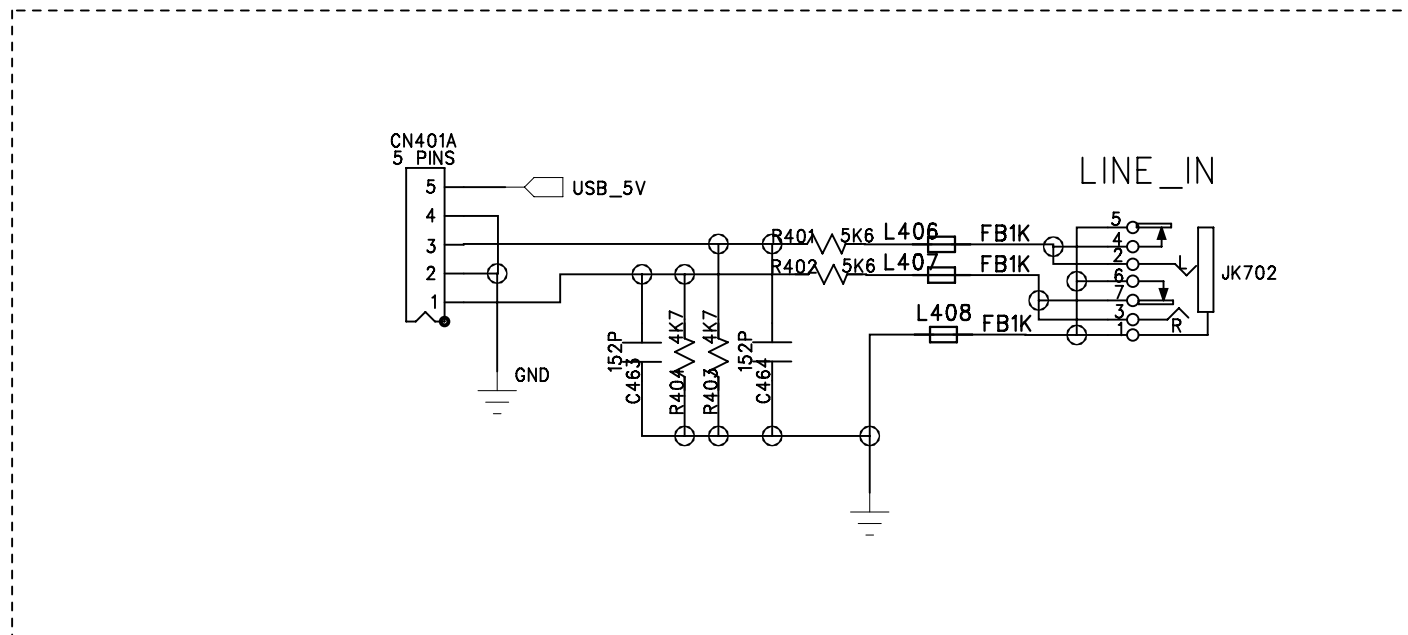
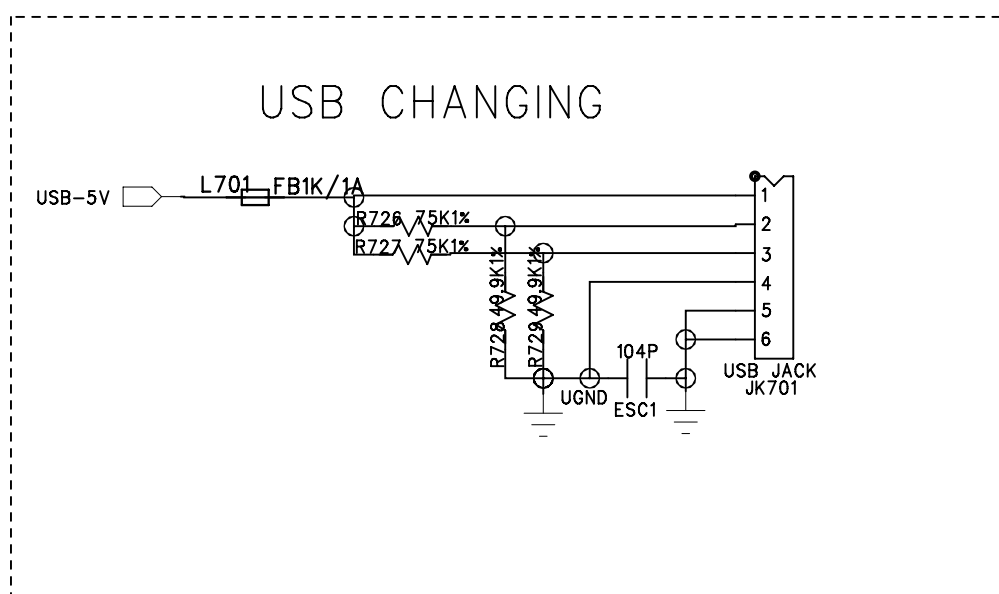
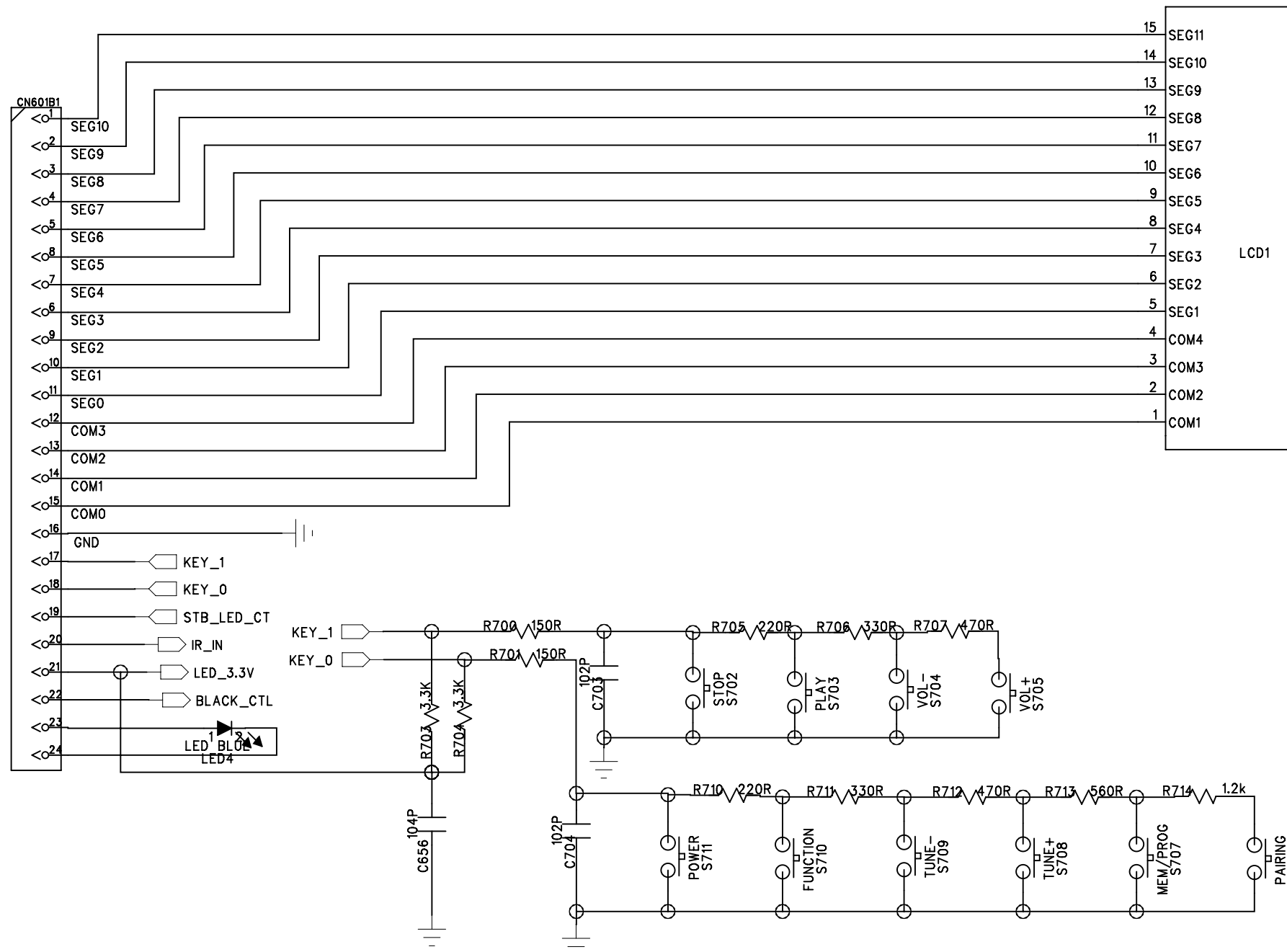
C

B

B

A

A



		COMPANY: ALCO Electronics Limited		
DRAWN: GWH	DATE: <Drawn Date>	MODEL: CD6929B		REV: <Revision>
CHECKED: <Checked By>	DATE: <Checked Date>	TITLE: <DISPLAY CIRCUIT DIAGRAM>		SHEET: 4 of 5
APPROVED: <APPROVED By>	DATE: <Approved Date>	SIZE: A2	LAST SAVED DATE: 02/23/2013	

6

5

4

3

2

1

D

D

C

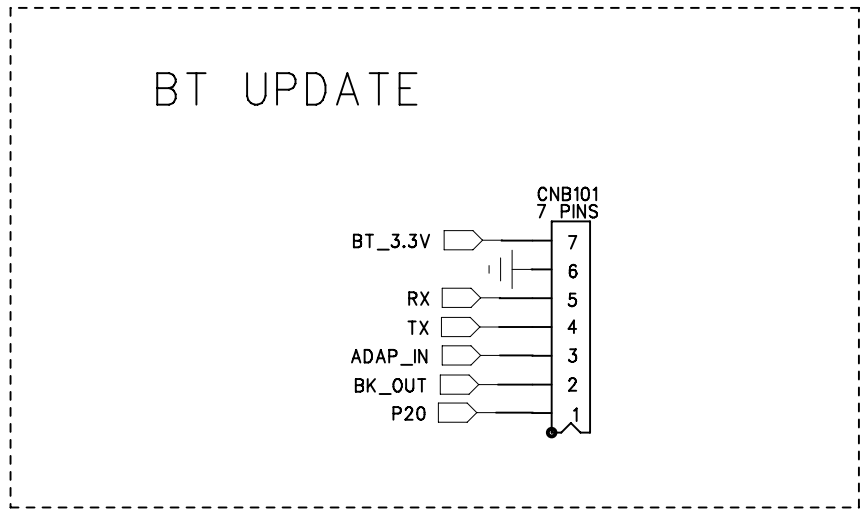
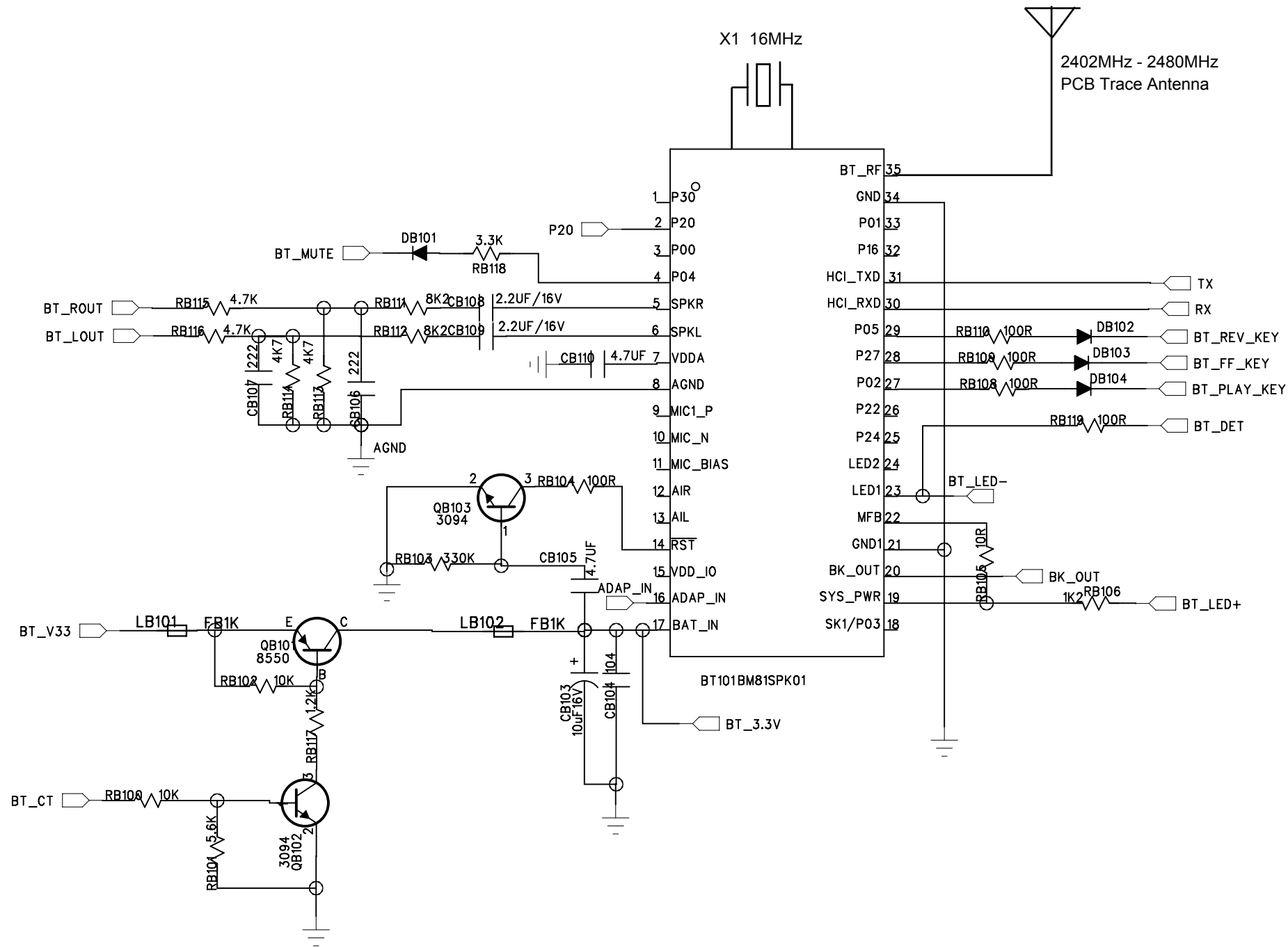
C

B

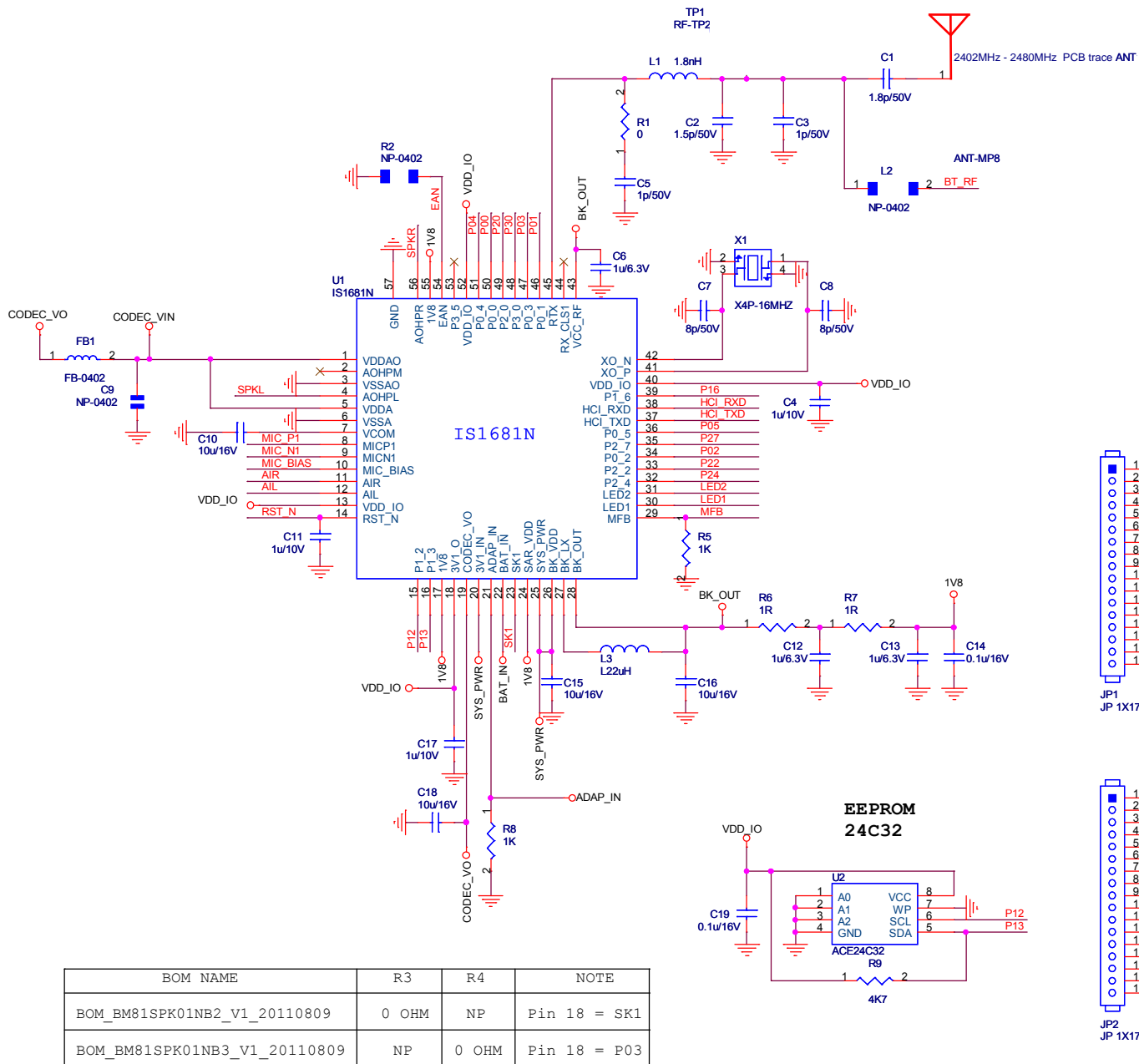
B

A

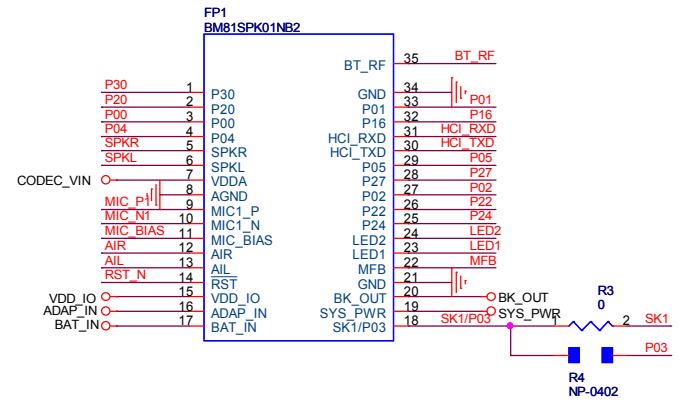
A



		COMPANY: ALCO Electronics Limited		
DRAWN: GWH	DATE: <Drawn Date>	MODEL: CD6929B		REV: <Revision>
CHECKED: <Checked By>	DATE: <Checked Date>	TITLE: <BLUETOOTH CIRCUIT DIAGRAM>		SHEET: 5 of 5
APPROVED: <APPROVED By>	DATE: <Approved Date>	SIZE: A2	LAST SAVED DATE: 02/23/2013	



PIN DEFINITION



GPIO Description

Pin	Description
P00	Slide Switch Detect/TX_IND
P01	Volume up
P02	Play/Pause
P03	RX_IND
P04	Audio AMP Enable
P05	REV
P16	Volume down
P20	System Configuration
P22	Keep alive for external LDO
P24	System Configuration
P27	FWD
P30	Line-in detect

BOM NAME	R3	R4	NOTE
BOM_BM81SPK01NB2_V1_20110809	0 OHM	NP	Pin 18 = SK1
BOM_BM81SPK01NB3_V1_20110809	NP	0 OHM	Pin 18 = P03

ISSC Technologies Corp.
 ADD. 4F, No.8, Dusing Rd., Hsinchu Science Park,
 Hsinchu City 30078, Taiwan
 TEL. 886-3-5778385

Board Name		BM81SPK01NB2 / BM81SPK01NB3	P/N
Size	Title	SCH_BM81SPK01NB2_V1_20110809	Rev
B		SCH_BM81SPK01NB3_V1_20110809	v1
Date:	Monday, November 07, 2011	Sheet	1 of 1