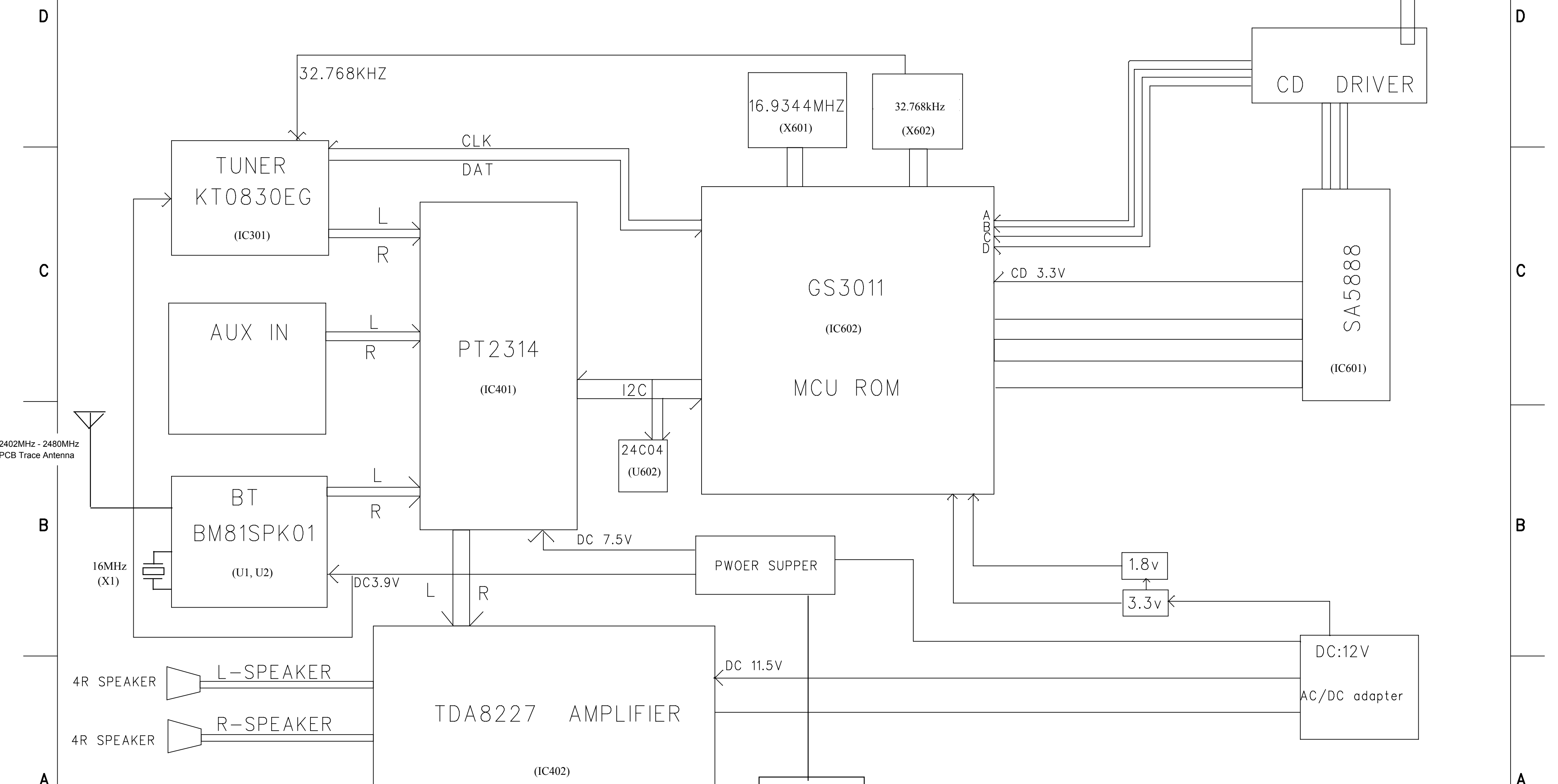

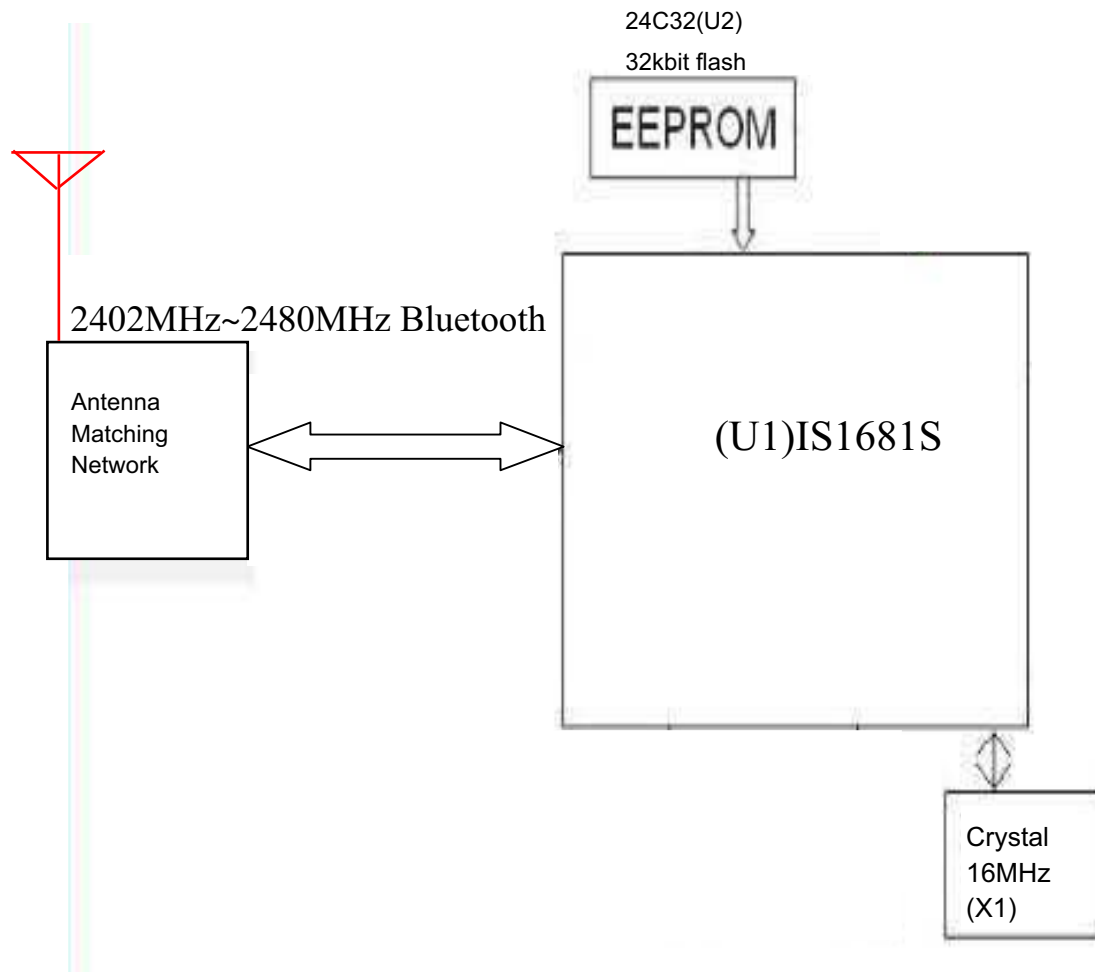


CD6929B BLOCK DIAGRAM



		COMPANY: ALCO Electronics Limited		
DRAWN: GWH	DATE: <Drawn Date>	MODEL: CD6929B		
CHECKED: <Checked By>	DATE: <Checked Date>	TITLE: DISPLAY CIRCUIT DIAGRAM		REV: <Revision>
APPROVED: <APPROVED By>	DATE: <Approved Date>	SIZE: A2	LAST SAVED DATE: 02/23/2013	SHEET: 1 of 5

Block Diagram BM81SPK01



3. Functional Diagram

