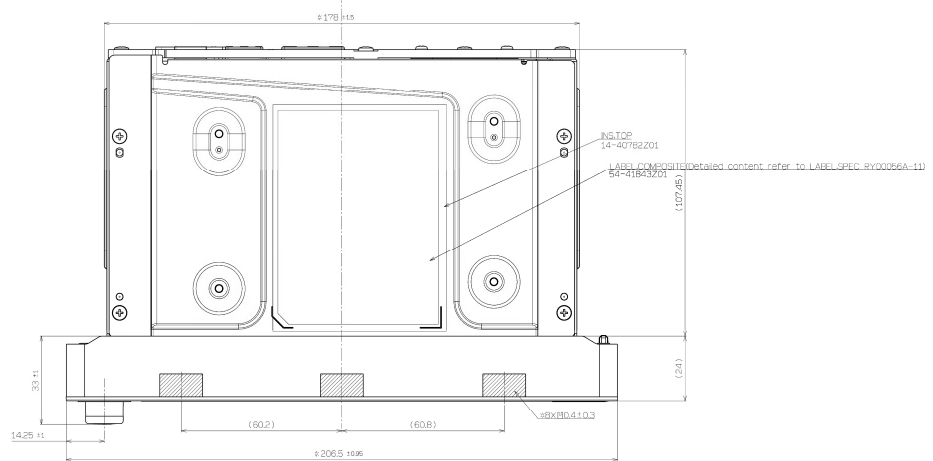
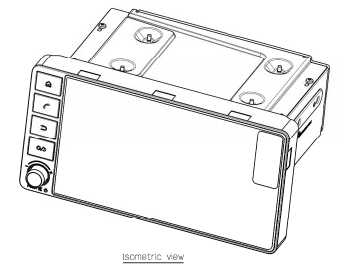
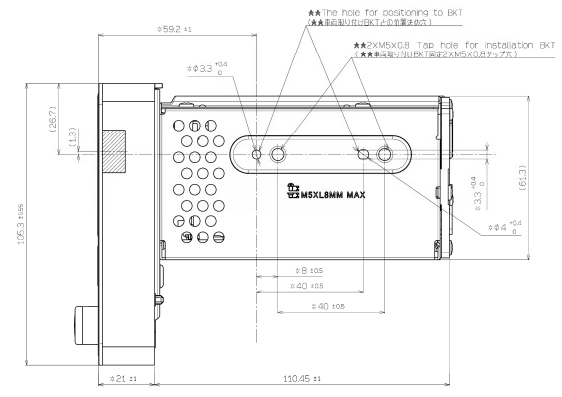
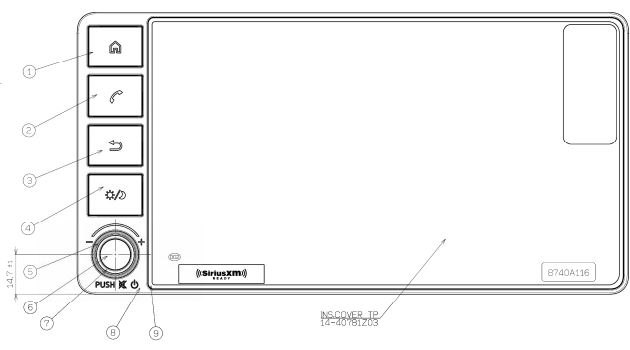
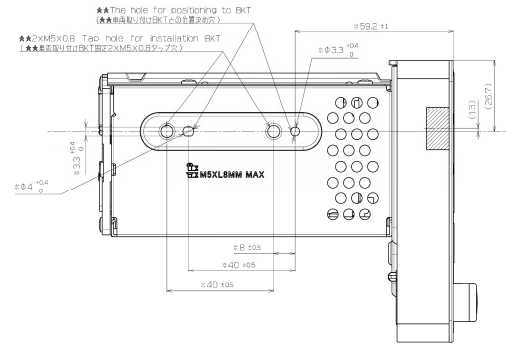


AOTH

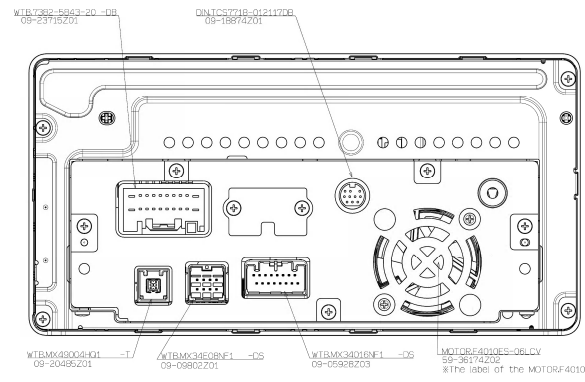
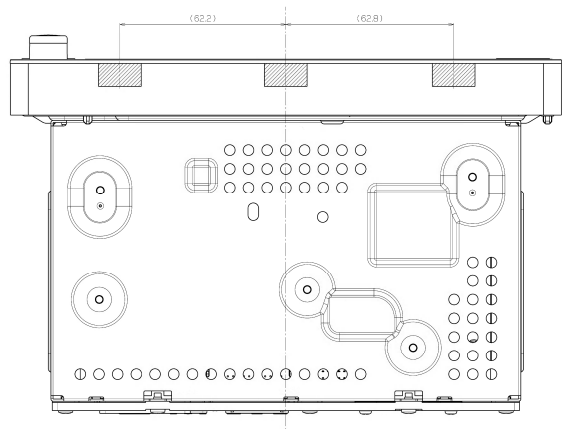
RY00056A-00
 T-DOCUMENT CODE
 GROUP CATIA V5 | SUB GROUP
 001 RELEASED FOR PRODUCTION 11-11-19
 002 ADD EXM MODEL ON INSCOVER TP: (C-4) ZHENYI MA/TUE ZHANGYI/GANGLONG LI



---NOTE---
 1. () dimensions are reference.
 () 标注为参考尺寸。
 2. Shall be noted in Process Control Plan that ******important control dimension for interface to Instrument. BKT. (必须标注在BKT工艺中, 重点控制尺寸, 此尺寸是重要控制尺寸, 工程品管理要求中必须标注的。)
 3. "*" marked points and dimensions are important controlled points and dimensions which should be controlled during each production event and mass production. It should meet ca. > 3.5. ("*" 标注的点及尺寸是重要控制点及尺寸, 在生产事件及大批量生产时必须控制, 公差应满足 ca. > 3.5。)
 (重要控制点及尺寸标注在BKT工艺中)



COLOR/FINISH SPECIFICATION TABLE						
NO.	PART NAME	PART COLOR	LETTER	LETTER COLOR	ILLUMI COLOR	LETTER SPEC.
1	KNDB/HOME	PIANO BLACK	⏠	WHITE	AMBER	LASER ETCHING
2	KNDB/TEL	PIANO BLACK	☎	WHITE	AMBER	LASER ETCHING
3	KNDB/RETURN	PIANO BLACK	↶	WHITE	AMBER	LASER ETCHING
4	KNDB/MUTE	PIANO BLACK	🔇	WHITE	AMBER	LASER ETCHING
5	KNDB/ROTARY	PIANO BLACK	-	-	-	-
6	COVER/ROTARY TOP	PIANO BLACK	-	-	-	-
7	COVER/ROTARY RING	SILVER	-	-	-	-
8	NOSEPIECE	PIANO BLACK	⏠	PUSH ** : WHITE ⏠: GRAY	-	PRINTING



UNIT	mm	SCALE	1:1
DATE	2019.04.24	DESIGNER	YANG
DATE	2019.04.24	CHECKER	LI
DATE	2019.04.24	APPROVER	LI