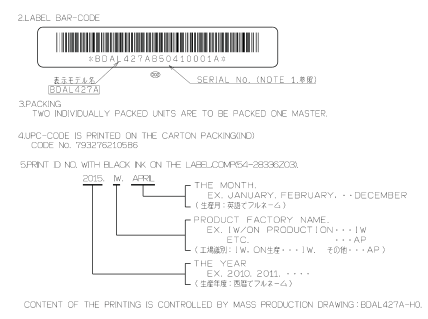
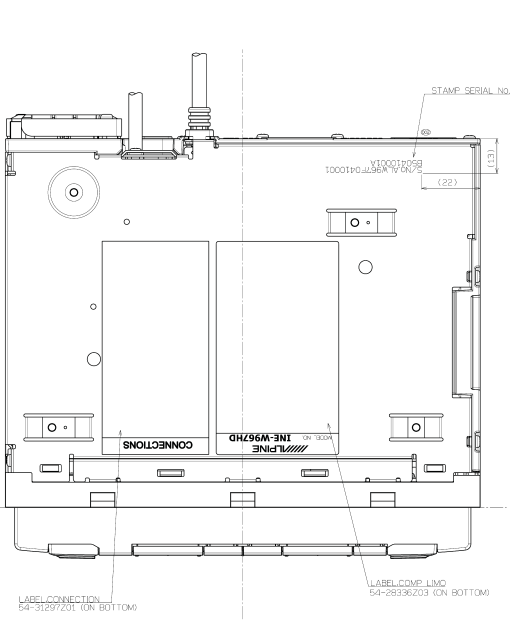
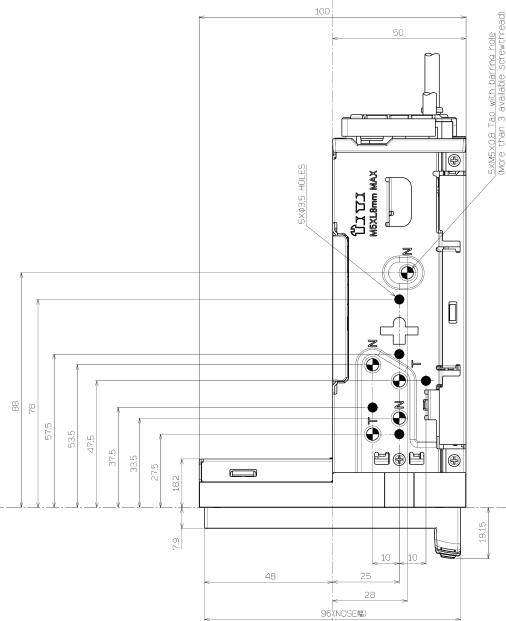
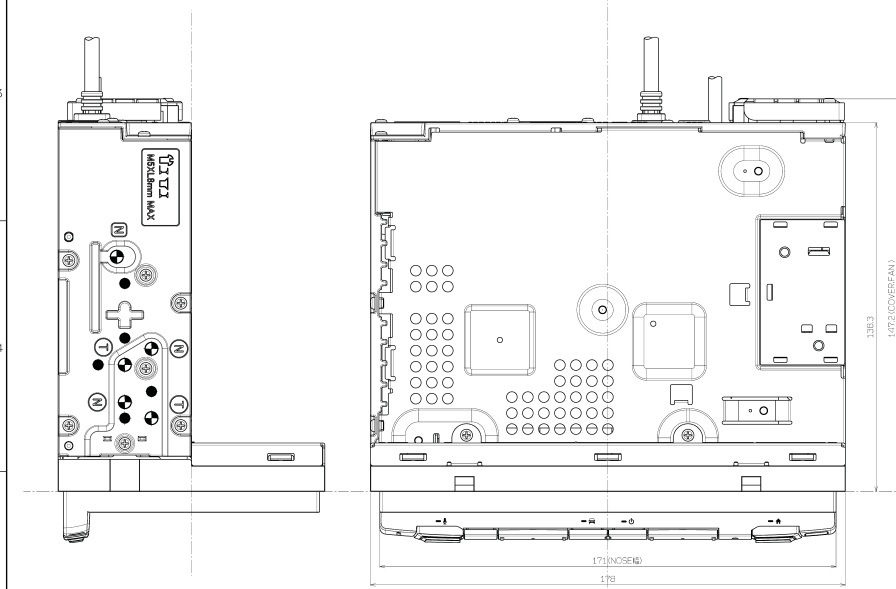


--NOTES--  
 1) STAMP SERIAL NO. ON BOTTOM AND PRINT WITH BLACK INK ON THE LABEL.  
 SERIAL NO. WITH EIGHT DIGITS NUMBER AS FOLLOWS:  
 ① MANUFACTURING CONTROL NUMBER  
 (製造管理番号は製造厂より一七の順に増加分はABCDで変更する。)  
 ② SERIAL NO. WOULD BE CONSECUTIVE NUMBER FROM 10001 UP TO 99999 AND THEN REPEAT SERIES.  
 (連続10001から99999まで繰り返す。)  
 ③ TWO DIGIT OF THE MONTH.  
 EX: 01-JAN, 05-MAY, 12-DEC  
 (製造月: 01-1月, 05-5月, 12-12月)  
 ④ LAST DIGIT OF THE YEAR  
 (製造年) 01-1年, 5-2015, 6-2016  
 ⑤ SIGN OF PRODUCT FACTORY NAME  
 EX: HA0W+YS, BA0W+ON, S0DA, TAD0L, EA0TA  
 (製造工場名記号 例: HA0W+YS, BA0W+ON, S0DA, TAD0L, EA0TA)



S/No AL W387 F 03 10001  
 ① SERIAL NO. WOULD BE CONSECUTIVE NUMBER FROM 10001 UP TO 99999 AND THEN REPEAT SERIES.  
 (例: 10001から99999まで繰り返す。)  
 ② TWO DIGIT OF THE MONTH.  
 EX: 01-JAN, 05-MAY, 12-DEC  
 (製造月: 01-1月, 05-5月, 12-12月。)  
 ③ SIGN OF THE YEAR.  
 ALPHABET WOULD BE ONE OF CONSECUTIVE LETTERS FROM "A" TO "X" WHICH REPEATS IN SERIES.  
 BUT DO NOT USE "0" AND "O".  
 EX: A-2010, B-2011, C-2012, ...  
 (例: A-2010, B-2011, C-2012, ...)  
 ④ FOUR DIGIT OF MODEL NO.  
 (例: HA0W+YS, BA0W+ON, S0DA, TAD0L, EA0TA)  
 ⑤ SIGN OF MANUFACTURER  
 (製造管理番号: 74777777, ALY等)

CONTENT OF THE PRINTING IS CONTROLLED BY MASS PRODUCTION DRAWING: EDAL427A-H0.



CONT. CODE	CONTENT NAME	QTY
68-29530226	C/NNAVICARD LIMO US 1	1
68-29530214	V/MX1001_LIMO-B US 1	1
68-29530213	GRX1110_LIMO-10 US 1	1
68-28672232	C/79LGR_A0AM_A0W 1	1
68-29530273	C/NLUR_X110_LIMO US 1	1

CONT. CODE	CONTENT NAME	QTY
07-30181201	BKT:HDMI ASSY	1
0350060117	SCRMMCH 5X9 2N A 4	4
0360060118	SCRMMCH 5X9 2N A 4	4
33-14124202	FACEPLATE	1
09-22649202	ASSY.AND-0179-02A 1	1
65-11368204	ASSY.YCP-5245ALD6 1	1
09-31131201	ASSY.AND-0203-01A 1	1
09-31132201	ASSY.AND-0200-01A 1	1
09-31132201	ASSY.AND-0203-01A 1	1
09-17244208	ASSY.AMC-0350-03A 1	1

NOSE	COLOR SPECIFICATION		
	COLOR	PRINT	LIGHTING
KN0BAUDIO	Black	ALPINE D991 Silver Others: Gray	-
KN0BNAVI	Clear	ALPINE D991 Silver Others: Gray	ROB Others: WHITE

DATE	SCALE	1:1
12/18/2015	1:1	1:1

NO	REV	DATE	BY	CHK
1	1	12/18/2015	Y.SATO	N

BDAL427A-00

T-DOCUMENT CODE

GROUP: CAT1A V5 SUB: GROUP

001 RELEASED FOR PRODUCTION 09-20-15

002

Delete ID No Print error-35 05-14-15  
 Change product Factory name ID-1, E-3, F-1, F-3, FROM PARAMETER  
 Change 68-16340215 = 68-29530273D-5A  
 Delete 68-28630210D-5A  
 Correct Contents T/C: D991-2a  
 Correct Contents 08-2a, K1494 / NS490 / NS490

RELEASERS AND REVISIONS MEMO  
 (DRAWN BY) / (CHECKED BY) / (APPROVED BY)

ALPINE ELECTRONICS, INC.

APPROVED BY: N. SANO  
 CHECKED BY: N. SANO  
 DRAWN BY: Y. SATO

PRODUCT CODE: BDAL427A  
 T-DOCUMENT CODE: BDAL427A-00

CONTENT CODE: O/L, BDAL427A

ISSUE: 1-DOCUMENT CODE