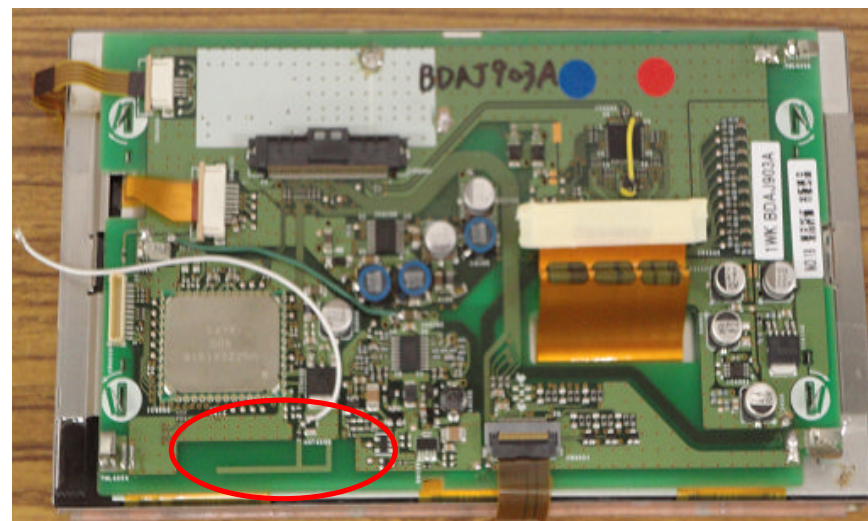


正面図



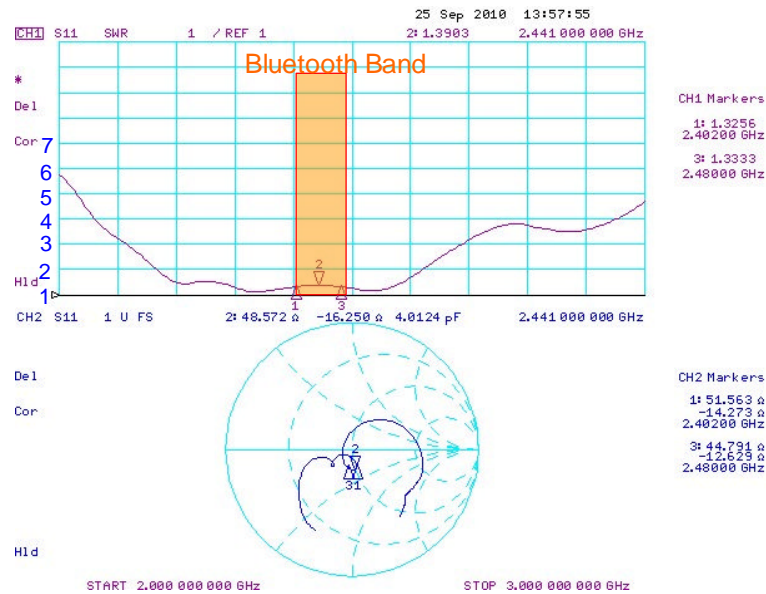
内部写真



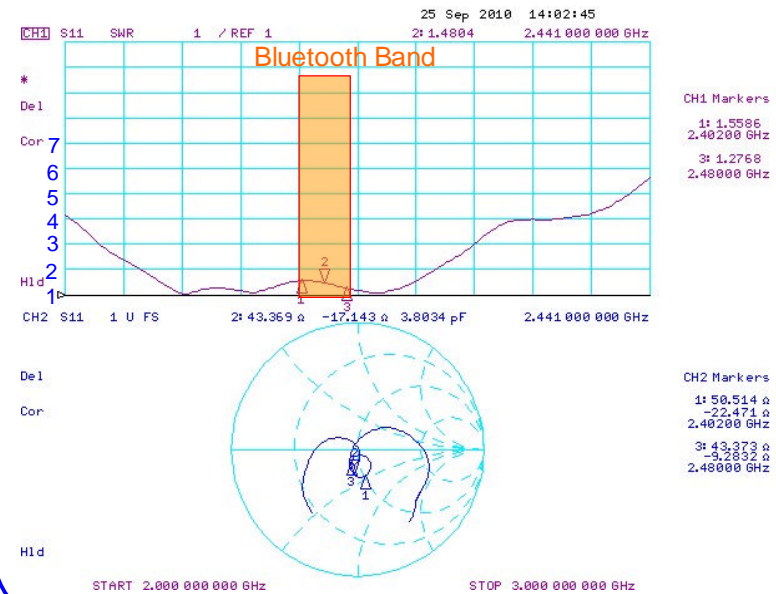
ANT特性測定のため、ケーブルを取り付けています  
楕円の箇所にパターンアンテナがあります

# 入力特性: VSWR data(BDAJ903A)

## 1. BDAJ903A (背面カバー無し)

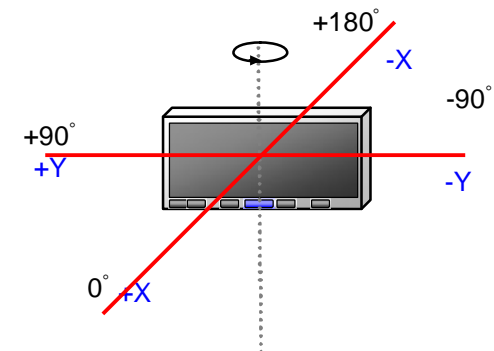
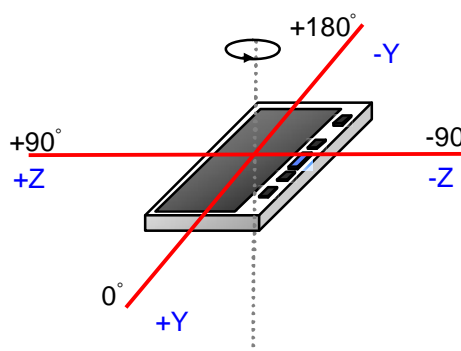
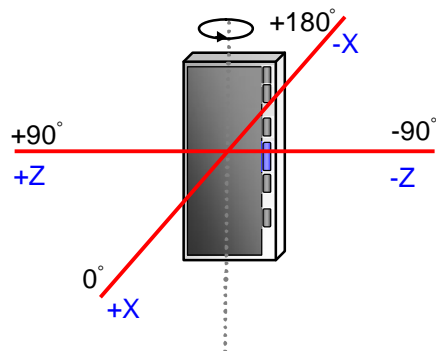
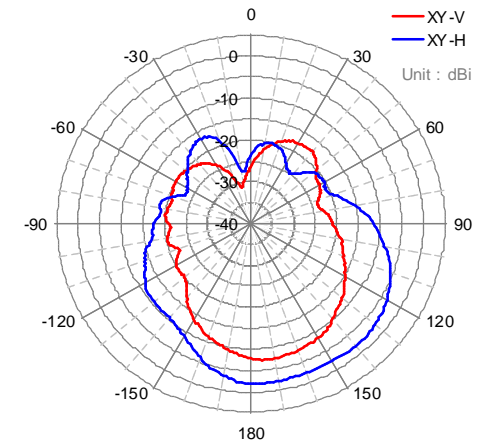
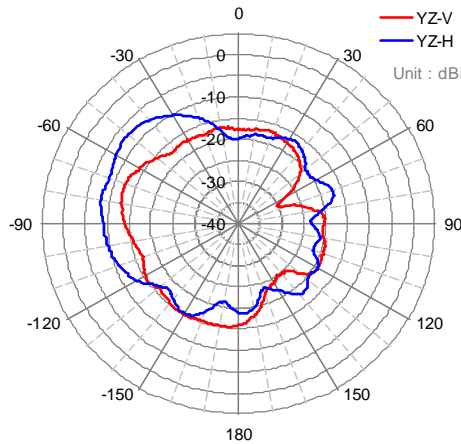
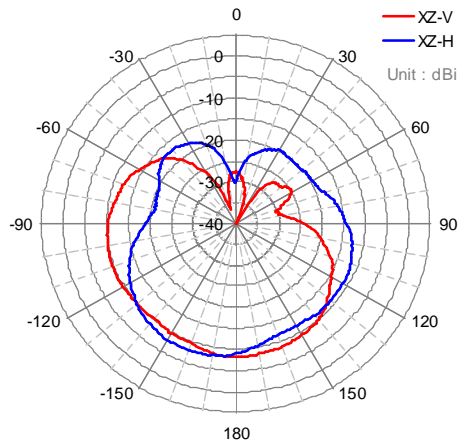
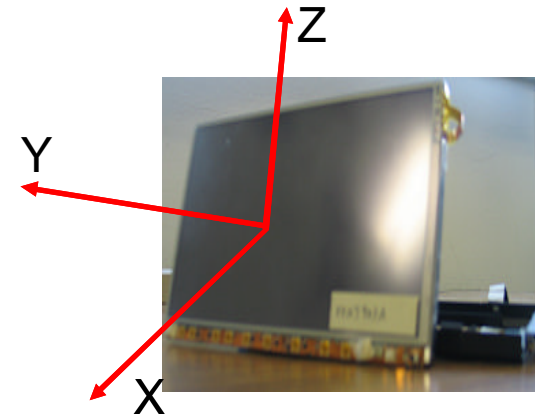


## 2. BDAJ903A (背面カバー有り)



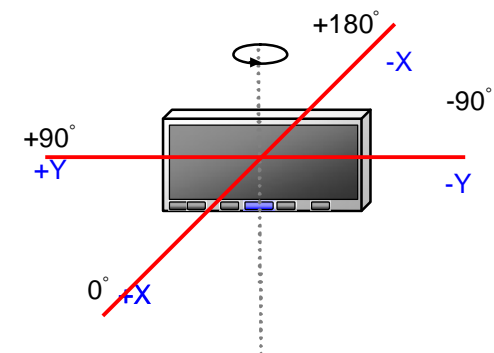
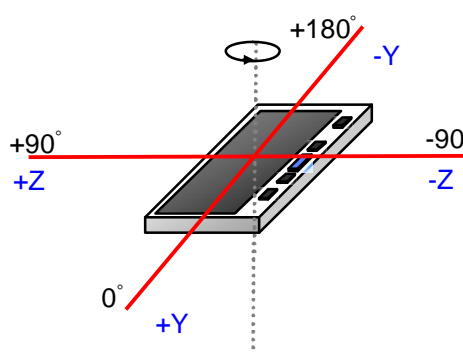
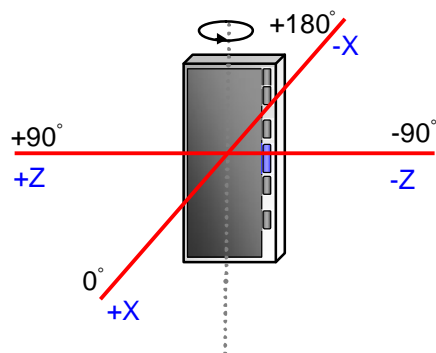
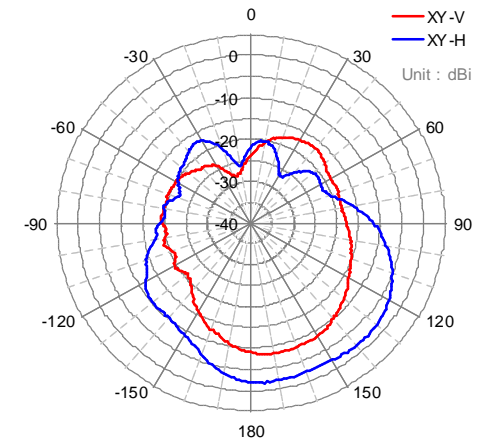
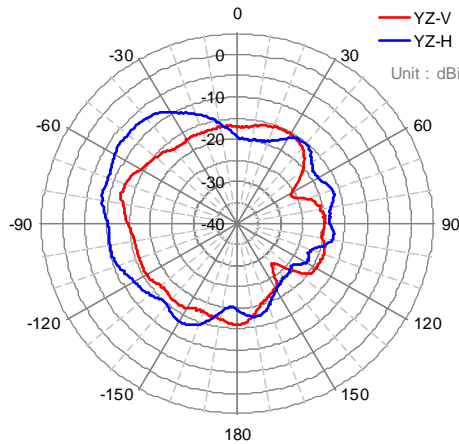
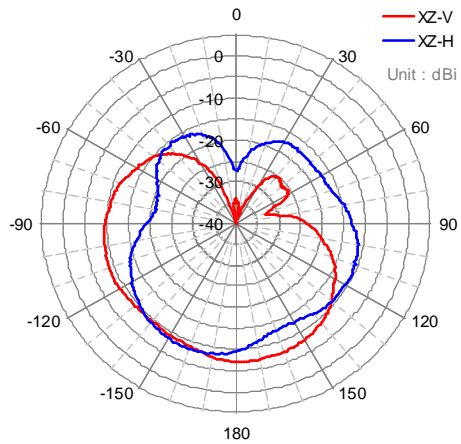
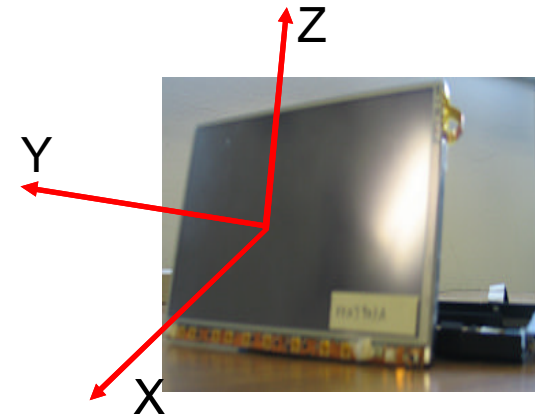
# BDAJ903A@2402MHz(背面カバー無し)

Linear Polarization					
Plane	Gain[dBi]	Polarization		Plane avg. [dBi]	Total avg. [dBi]
		Vertical	Horizontal		
X-Z	Max	-8.5	-8.1	-13.1	-12.3
	Ave	-12.9	-13.2		
	0 deg	-27.6	-30.1		
	90-90 Ave	-18.5	-19.4		
Y-Z	Max	-12.5	-7.3	-15.0	
	Ave	-17.1	-13.5		
	0 deg	-17.9	-19.9		
	90-90 Ave	-16.9	-12.0		
X-Y	Max	-7.6	-2.1	-10.2	
	Ave	-14.6	-8.0		
	0 deg	-26.5	-23.7		
	90-90 Ave	-21.2	-19.4		



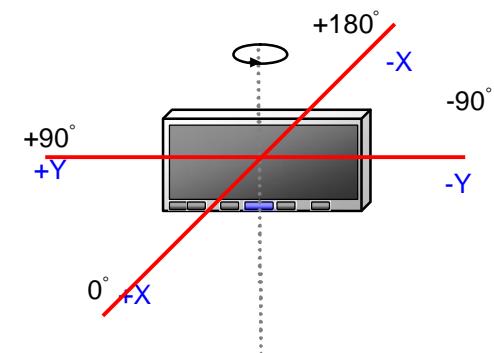
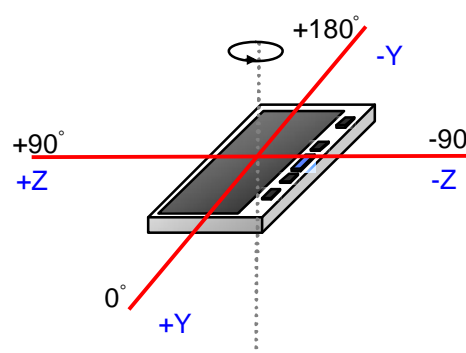
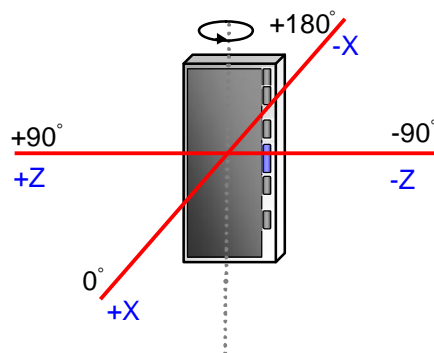
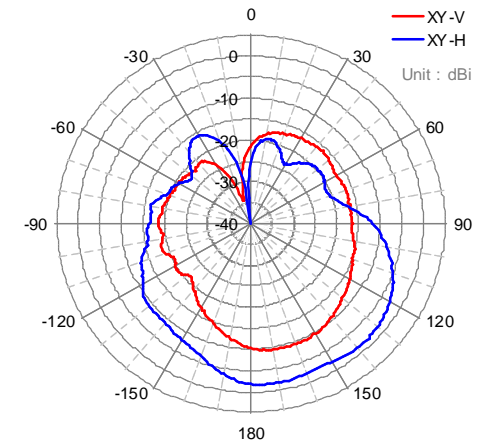
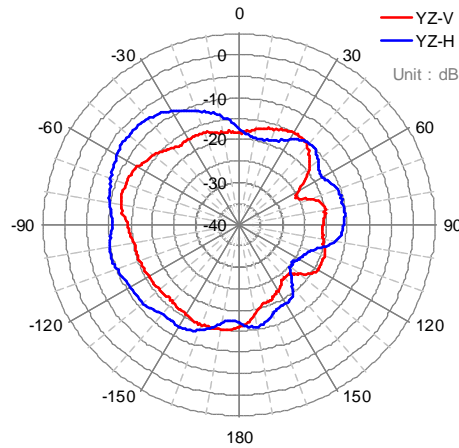
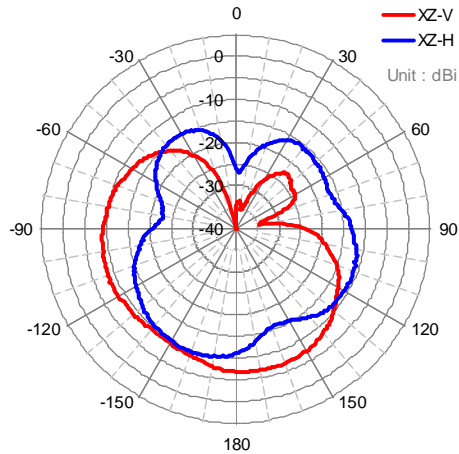
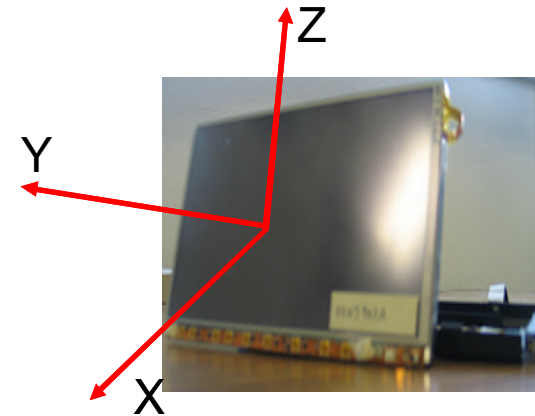
# BDAJ903A@2441MHz(背面カバー無し)

Linear Polarization					
Plane	Gain[dBi]	Polarization		Plane avg. [dBi]	Total avg. [dBi]
		Vertical	Horizontal		
X-Z	Max	-7.4	-8.5	-12.5	-12.1
	Ave	-12.0	-13.2		
	0 deg	-33.9	-27.1		
	90-90 Ave	-17.7	-17.8		
Y-Z	Max	-12.5	-7.2	-14.8	
	Ave	-17.2	-13.2		
	0 deg	-17.3	-19.4		
	90-90 Ave	-16.5	-11.8		
X-Y	Max	-8.4	-1.8	-10.1	
	Ave	-14.8	-7.9		
	0 deg	-24.2	-22.2		
	90-90 Ave	-19.9	-19.8		



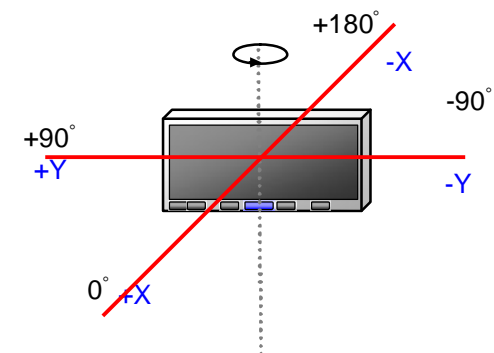
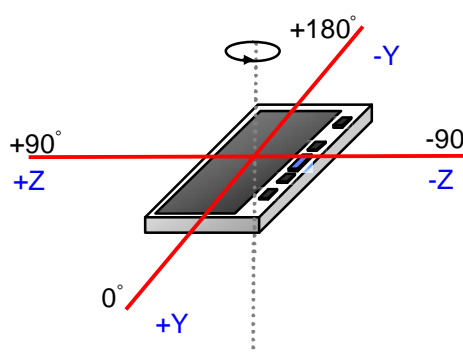
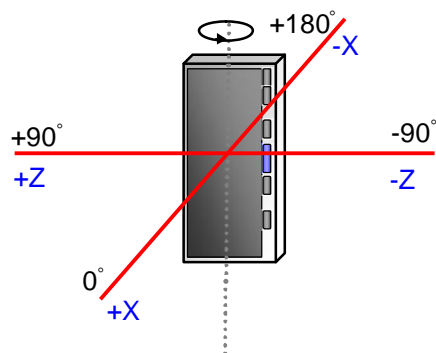
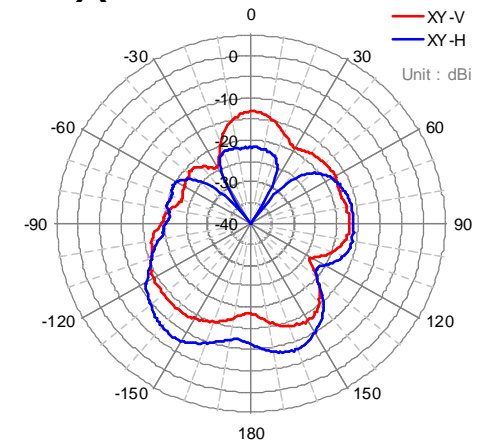
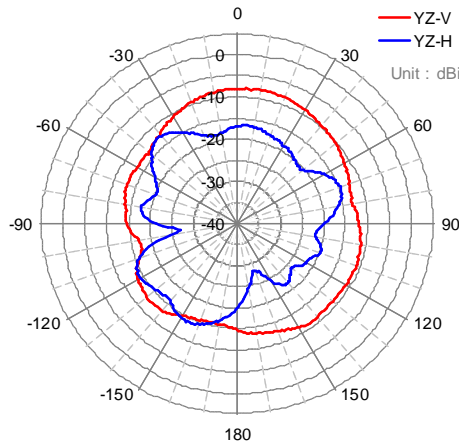
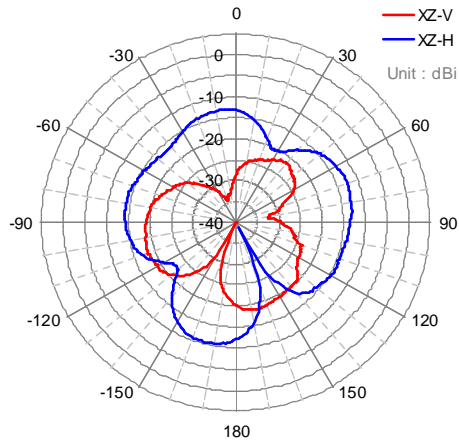
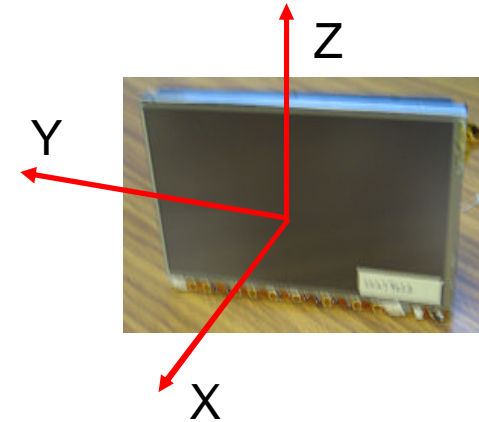
# BDAJ903A@2480MHz(背面カバー無し)

Linear Polarization					
Plane	Gain[dBi]	Polarization		Plane avg. [dBi]	Total avg. [dBi]
		Vertical	Horizontal		
X-Z	Max	-7.0	-10.1	-12.6	-11.9
	Ave	-11.5	-14.1		
	0 deg	-35.8	-26.1		
	90-90 Ave	-16.7	-17.2		
Y-Z	Max	-12.3	-7.1	-14.3	
	Ave	-16.7	-12.7		
	0 deg	-18.7	-17.6		
	90-90 Ave	-16.1	-11.6		
X-Y	Max	-9.6	-1.6	-10.0	
	Ave	-15.3	-7.6		
	0 deg	-21.6	-25.6		
	90-90 Ave	-18.8	-19.1		



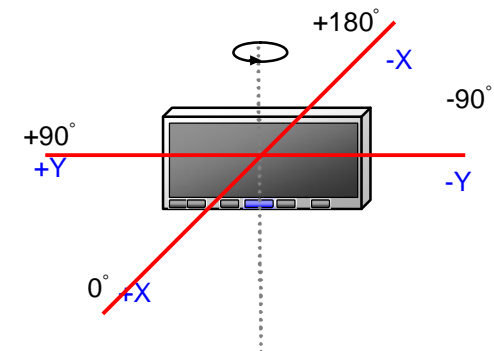
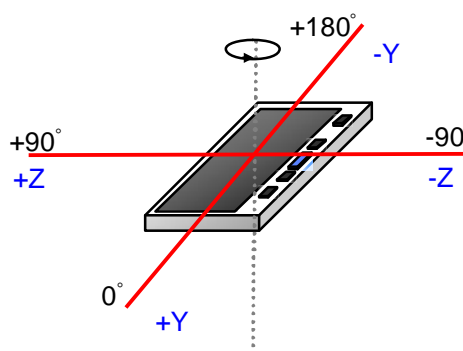
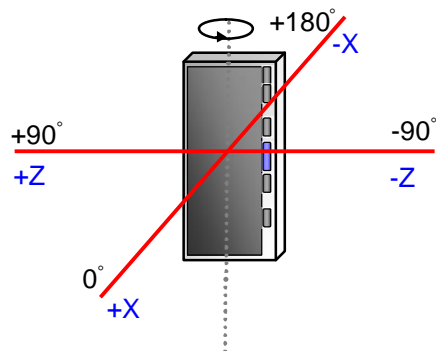
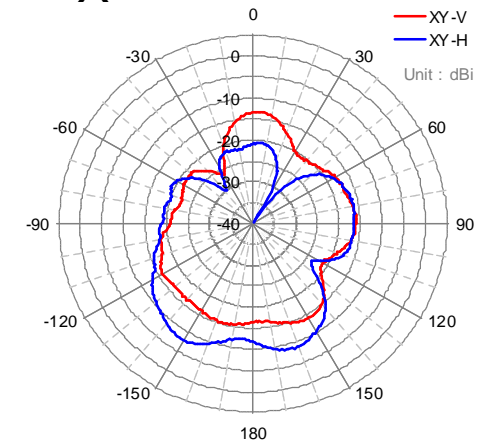
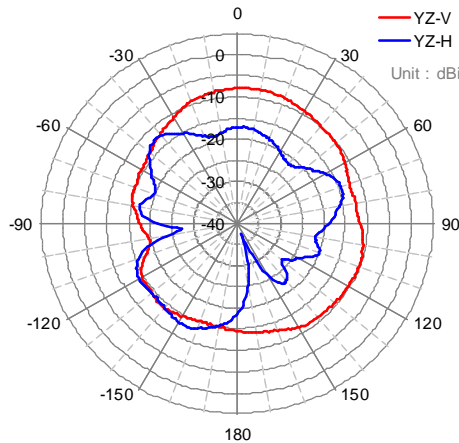
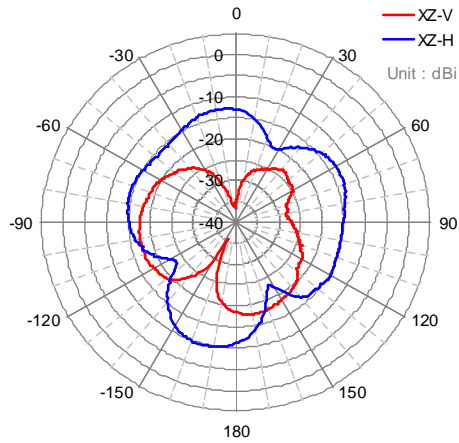
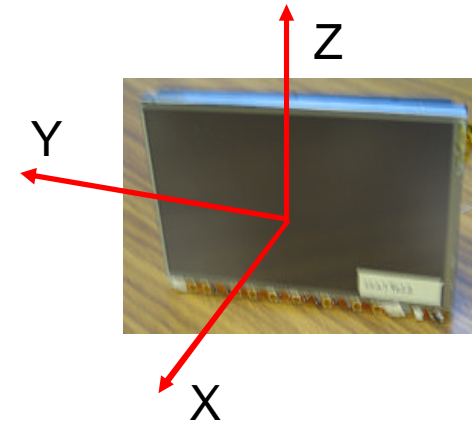
# BDAJ903A@2402MHz(背面カバー有り)

Linear Polarization					
Plane	Gain[dBi]	Polarization		Plane avg. [dBi]	Total avg. [dBi]
		Vertical	Horizontal		
X-Z	Max	-18.5	-10.7	-17.2	-15.2
	Ave	-22.6	-14.8		
	0 deg	-28.8	-13.4		
	90-90 Ave	-24.5	-14.7		
Y-Z	Max	-8.2	-13.0	-13.7	
	Ave	-11.7	-17.6		
	0 deg	-8.3	-17.0		
	90-90 Ave	-10.7	-16.9		
X-Y	Max	-13.4	-7.7	-15.3	
	Ave	-16.8	-14.2		
	0 deg	-13.4	-21.7		
	90-90 Ave	-18.0	-20.9		



# BDAJ903A@2441MHz(背面カバー有り)

Linear Polarization					
Plane	Gain[dBi]	Polarization		Plane avg. [dBi]	Total avg. [dBi]
		Vertical	Horizontal		
X-Z	Max	-17.4	-10.0	-16.8	-15.2
	Ave	-21.4	-14.6		
	0 deg	-35.4	-13.3		
	90-90 Ave	-23.4	-14.8		
Y-Z	Max	-8.0	-12.6	-13.7	
	Ave	-11.8	-17.2		
	0 deg	-8.3	-17.3		
	90-90 Ave	-10.8	-16.9		
X-Y	Max	-13.6	-8.1	-15.7	
	Ave	-17.4	-14.6		
	0 deg	-13.7	-21.1		
	90-90 Ave	-18.2	-20.6		



# BDAJ903A@2480MHz(背面カバー有り)

Linear Polarization					
Plane	Gain[dBi]	Polarization		Plane avg. [dBi]	Total avg. [dBi]
		Vertical	Horizontal		
X-Z	Max	-17.5	-11.3	-17.7	-15.9
	Ave	-21.3	-15.7		
	0 deg	-34.0	-14.4		
	90-90 Ave	-22.6	-15.8		
Y-Z	Max	-8.5	-13.3	-14.3	
	Ave	-12.3	-17.9		
	0 deg	-8.6	-18.3		
	90-90 Ave	-11.5	-17.8		
X-Y	Max	-13.6	-9.3	-16.6	
	Ave	-17.7	-15.6		
	0 deg	-14.6	-23.0		
	90-90 Ave	-19.3	-21.3		

