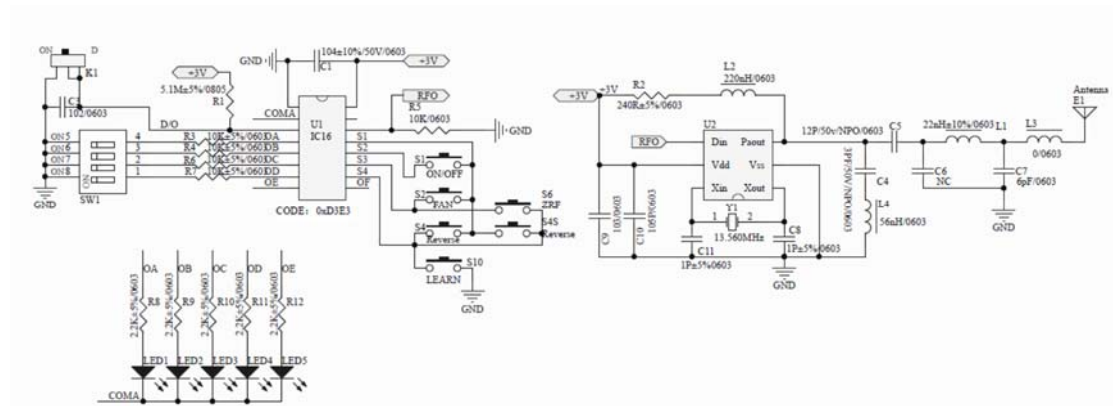


Declaration letter

We confirmed:

The below products have the same technical construction including circuit diagram, PCB Layout, components and component layout, all electrical construction and mechanical construction. The difference lies only below:

	S4	S4S	S6	S10 (LEARN)	SW1 (DIP SWITCH)	K1 (D/O)	Software
TX047-L	√			√			Default
TX047-S	√				√		Default
TX047-LR	√			√		√	Default
TX047-RS	√				√	√	Default
TX047N-L		√	√	√			Nature breeze
TX047N-S		√	√		√		Nature breeze
TX047N-LR		√	√	√		√	Nature breeze
TX047N-RS		√	√		√	√	Nature breeze
Note:							
Software				Default	Fan 5th speed/OFF		
				Nature breeze	Fan 5th speed/OFF/Nature breeze		



The keys Switch S4, Switch S4S, Switch S6. Switch S10, Switch SW1 and Switch K1, These are optional for all models and no influence to RF performance.

Applicant: DawnSun Electronic Technology Co., Ltd.Zhongshan

November 29, 2021 *YaoMingHuang*

Applicant's authorized signature Date