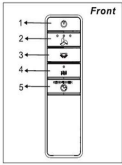
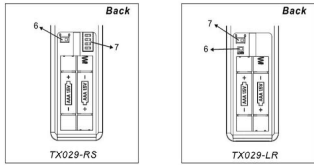


Family Model Statement

Model: TX029-RS and TX029-LR are identical in the schematics, Layout, Construction, only switches are different, all difference do not effect RF performance , function and power.

		Figure	Model	Part difference	Description of Difference
Difference	1	<p>MODEL: TX029-RS TX029-LR</p>  <p style="text-align: center;">Front</p>	TX029-RS	S6: N/A	
	2	 <p style="text-align: center;">Back</p> <p style="text-align: center;">TX029-RS TX029-LR</p>	TX029-LR	SW1, R3, R4, R5 , R6: N/A	SW1: Mode Switch Function or Customization;

SW1 and S6 are the extended switch for function option. The switch does not affect the RF circuit and RF power.

Dated this: __Sep 29, 2016

Agency agreement expiration date: 12 Months

By:

YaoMing Huang__



Printed

Signature

Title: Manager

On behalf of: DawnSun Electronic Technology Co., Ltd. Zhongshan

Tel No: (86) 0760-87336328