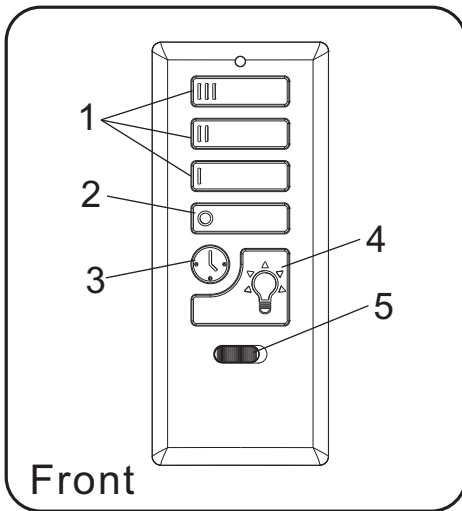
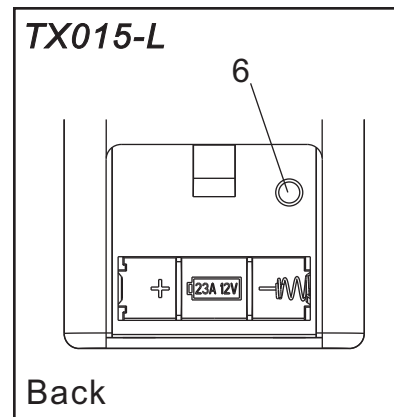
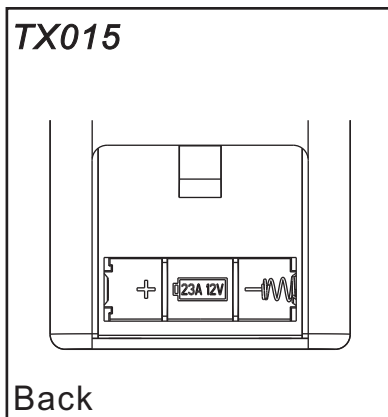


OPERATION INSTRUCTION



MODEL:
TX015
TX015-L
TX015-R
TX015-C
TX015-LR
TX015-LC
TX015-RC
TX015-LRC

Note: Install the 12-volt battery to the remote control.



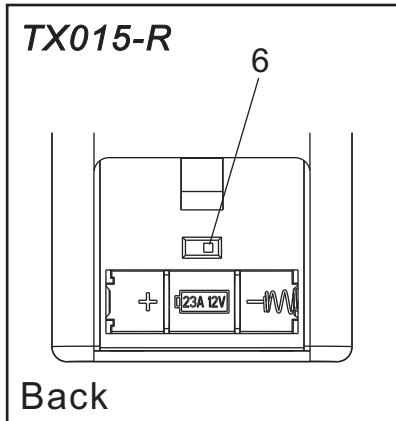
Remote Control Functions:

1. Fan speed control button: To control the ceiling fan speed HIGH, MEDIUM, LOW.
2. FAN/OFF Button: To turn the fan on/off.
3. Sleep Timer Button.
4. LIGHT ON/OFF/DIMMING Button: To control light on/off/dimming.
5. Reverse Setting Switch: To control fan direction.

Remote Control Functions:

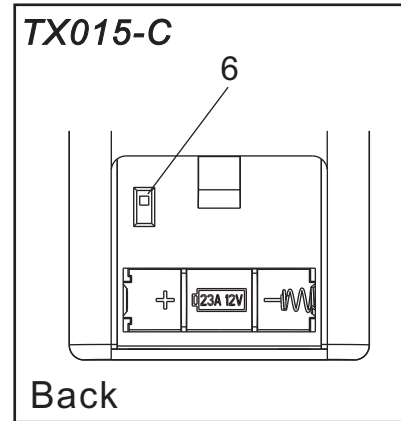
1. Fan speed control button: To control the ceiling fan speed HIGH, MEDIUM, LOW.
2. FAN/OFF Button: To turn the fan on/off.
3. Sleep Timer Button.
4. LIGHT ON/OFF/DIMMING Button: To control light on/off/dimming.
5. Reverse Setting Switch: To control fan direction.
6. ① Learning code pairing function;
② Customization.

OPERATION INSTRUCTION



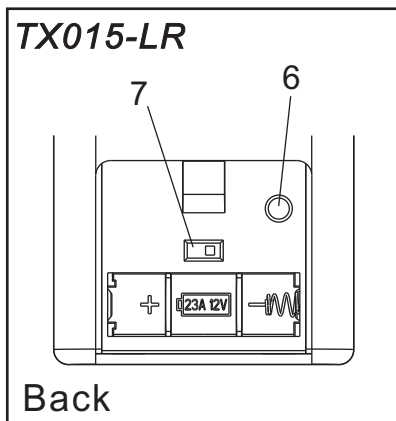
Remote Control Functions:

1. Fan speed control button: To control the ceiling fan speed HIGH, MEDIUM, LOW.
2. FAN/OFF Button: To turn the fan on/off.
3. Sleep Timer Button.
4. LIGHT ON/OFF/DIMMING Button: To control light on/off/dimming.
5. Reverse Setting Switch: To control fan direction.
6. ①Select Light ON/OFF Mode or Light ON/OFF/DIMMING Mode;
②Customization.



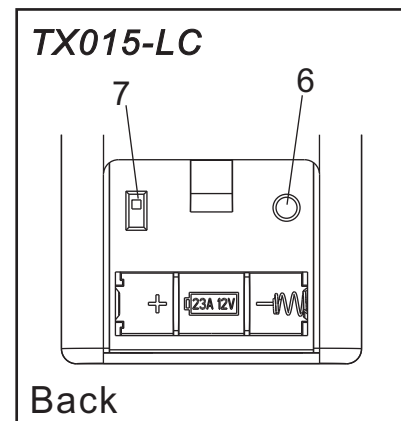
Remote Control Functions:

1. Fan speed control button: To control the ceiling fan speed HIGH, MEDIUM, LOW.
2. FAN/OFF Button: To turn the fan on/off.
3. Sleep Timer Button.
4. LIGHT ON/OFF/DIMMING Button: To control light on/off/dimming.
5. Reverse Setting Switch: To control fan direction.
6. ①Select Common Code / Private Code System;
②Customization.



Remote Control Functions:

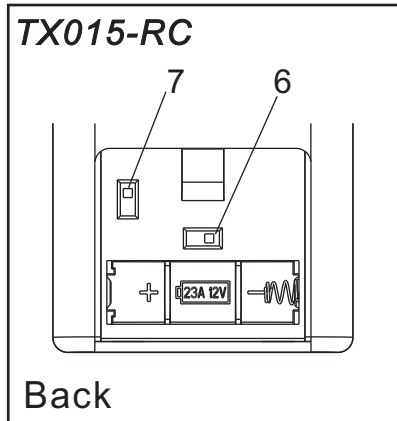
1. Fan speed control button: To control the ceiling fan speed HIGH, MEDIUM, LOW.
2. FAN/OFF Button: To turn the fan on/off.
3. Sleep Timer Button.
4. LIGHT ON/OFF/DIMMING Button: To control light on/off/dimming.
5. Reverse Setting Switch: To control fan direction.
6. ①Learning code pairing function;
②Customization.
7. ①Select Light ON/OFF Mode or Light ON/OFF/DIMMING Mode;
②Customization.



Remote Control Functions:

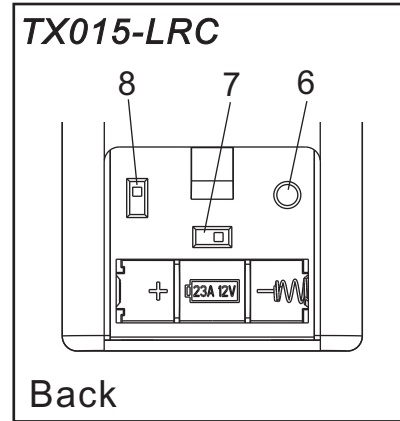
1. Fan speed control button: To control the ceiling fan speed HIGH, MEDIUM, LOW.
2. FAN/OFF Button: To turn the fan on/off.
3. Sleep Timer Button.
4. LIGHT ON/OFF/DIMMING Button: To control light on/off/dimming.
5. Reverse Setting Switch: To control fan direction.
6. ①Learning code pairing function;
②Customization.
7. ①Select Common Code / Private Code System;
②Customization.

OPERATION INSTRUCTION



Remote Control Functions:

1. Fan speed control button: To control the ceiling fan speed HIGH, MEDIUM, LOW.
2. FAN/OFF Button: To turn the fan on/off.
3. Sleep Timer Button.
4. LIGHT ON/OFF/DIMMING Button: To control light on/off/dimming.
5. Reverse Setting Switch: To control fan direction.
6. ①Select Light ON/OFF Mode
or Light ON/OFF/DIMMING Mode;
②Customization.
7. ①Select Common Code / Private Code System;
②Customization.



Remote Control Functions:

1. Fan speed control button: To control the ceiling fan speed HIGH, MEDIUM, LOW.
2. FAN/OFF Button: To turn the fan on/off.
3. Sleep Timer Button.
4. LIGHT ON/OFF/DIMMING Button: To control light on/off/dimming.
5. Reverse Setting Switch: To control fan direction.
6. ①Learning code pairing function;
②Customization.
7. ①Select Light ON/OFF Mode
or Light ON/OFF/DIMMING Mode;
②Customization.
8. ①Select Common Code / Private Code System;
②Customization.

OPERATION INSTRUCTION

This device has been tested and found to comply with the limits for a Class B digital device, pursuant to Part 15 of the FCC Rules. These limits are designed to provide reasonable protection against harmful interference in a residential installation. This device generates, uses and can radiate radio frequency energy and, if not installed and used in accordance with the instructions, may cause harmful interference to radio communications.

However, there is no guarantee that interference will not occur in a particular installation. If this device does cause harmful interference to radio or television reception, which can be determined by turning the device off and on, the user is encouraged to try to correct the interference by one or more of the following measures:

- Reorient or relocate the receiving antenna.
- Increase the separation between the device and receiver.
- Connect the device into an outlet on a circuit different from that to which the receiver is connected.
- Consult the dealer or an experienced radio/TV technician for help.

Changes or modifications not expressly approved by the party responsible for compliance could void the user's authority to operate the equipment.

This device contains licence-exempt transmitter(s)/receiver(s) that comply with Innovation, Science and Economic Development Canada's licence-exempt RSS(s). And this device complies with Part 15 of the FCC rules. Operation is subject to the following two conditions:

- (1) This device may not cause interference.
- (2) This device must accept any interference, including interference that may cause undesired operation of the device.

Cet appareil contient des émetteurs / récepteurs exemptés de licence conformes aux RSS (RSS) d'Innovation, Sciences et Développement économique Canada.

Le fonctionnement est soumis aux deux conditions suivantes :

- (1) Cet appareil ne doit pas causer d'interférences.
- (2) Cet appareil doit accepter toutes les interférences, y compris celles susceptibles de provoquer un fonctionnement indésirable de l'appareil.