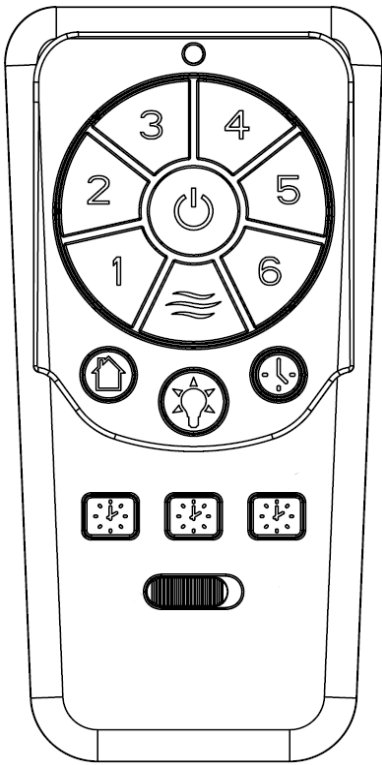
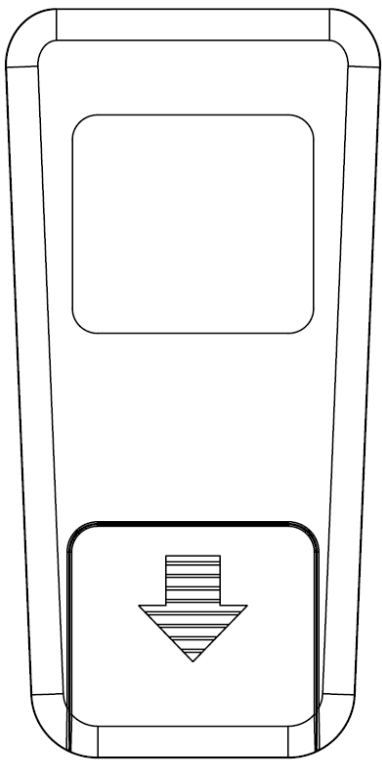
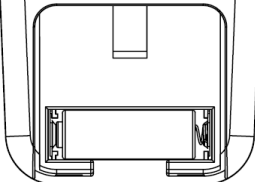
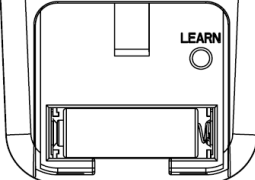
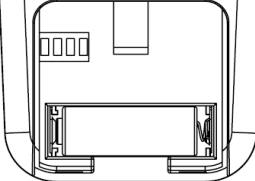
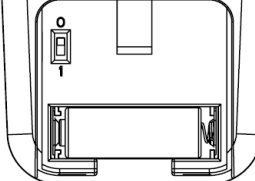
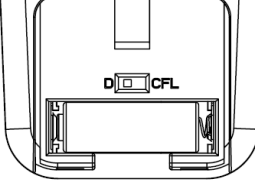
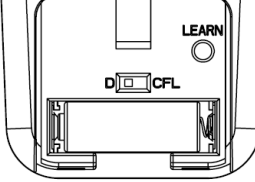
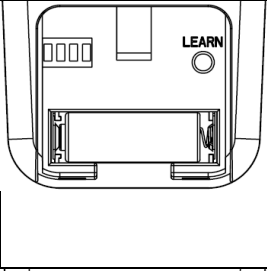
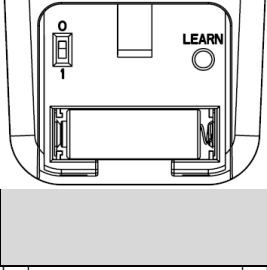
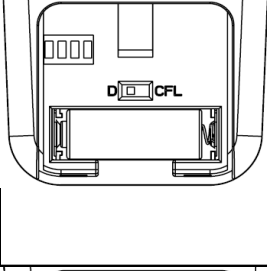
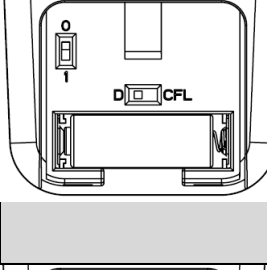
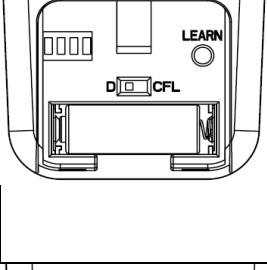
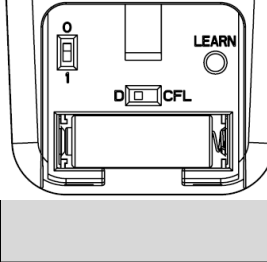


TX012 model different

	model	different	photo	note
 	TX012-N	S12:N/A S13:N/A SW1:N/A		
	TX012-L	S12:YES S13:N/A SW1:N/A		
	TX012-S	S12:N/A S13:N/A SW1:YES		
	TX012-C	S12:N/A S13:N/A SW1 (2-7):YES		
	TX012-R	S12:N/A S13:YES SW1:N/A		
	TX012-LR	S12:YES S13:YES SW1:N/A		

TX012-LS	S12: YES S13: N/A SW1: YES		
TX012-LC	S12: YES S13: N/A SW1 (2-7): YES		
TX012-RS	S12: N/A S13: YES SW1: YES		
TX012-RC	S12: N/A S13: YES SW1 (2-7): YES		
TX012-LRS	S12: YES S13: YES SW1: YES		
TX012-LRC	S12: YES S13: YES SW1 (2-7): YES		

All button is Extended Function, please refer to below explain

S12

touch switch, it will transmitting when press it

S13

Toggle switch, all button's signal was depend it,

the signal will be different when it turn left or right

SW1

The principle is similar to S13

SW1(2-7)

The principle is similar to S13

