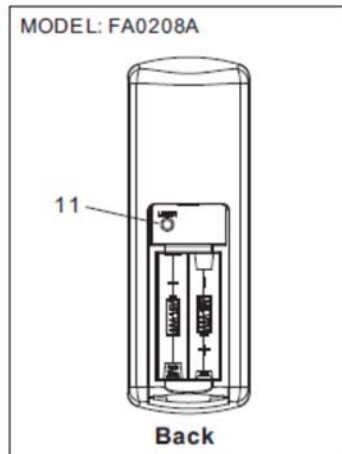


Declaration letter

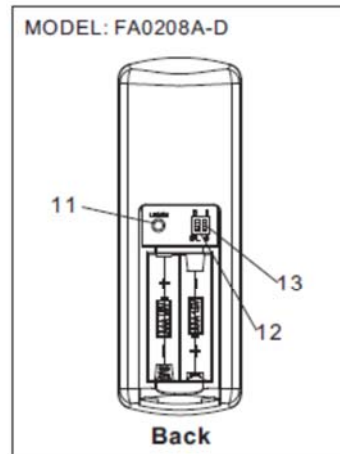
We confirmed:

The below products have the same technical construction including circuit diagram, PCB Layout, components and component layout, all electrical construction and mechanical construction. The difference lies only below:



Remote Control Functions:

1. FAN ON/OFF Button: Turn the fan on or off.
2. FAN Speed Button "-": Decreases the fan speed.
3. FAN Speed Button "+": Increases the fan speed.
4. 2hr/ 4hr/ 8hr Timer button.
5. Reverse Setting Switch: To control fan direction.
6. Walk Away Delay Off Button.
7. Home Shield Button.
8. Nature Breeze Button.
9. LIGHT ON/OFF/DIMMING Button: To control light on/off/dimming.
10. CCT Function Button.
11. Extended Function Switch L.



Remote Control Functions:

1. FAN ON/OFF Button: Turn the fan on or off.
2. FAN Speed Button "-": Decreases the fan speed.
3. FAN Speed Button "+": Increases the fan speed.
4. 2hr/ 4hr/ 8hr Timer button.
5. Reverse Setting Switch: To control fan direction.
6. Walk Away Delay Off Button.
7. Home Shield Button.
8. Nature Breeze Button.
9. LIGHT ON/OFF/DIMMING Button: To control light on/off/dimming.
10. CCT Function Button.
11. Extended Function Switch L.
12. Extended Function Switch R.
13. Extended Function Switch C.

Model	Switch L (LEARN)	Switch R (DIP SWITCH)	Switch C (D/O)	Software
FA0208A	√			Default
FA0208A-D	√	√	√	Default

The keys Switch L, Switch R, Switch C. These are optional for all models and no influence to RF performance.

Dated this: January 23, 2024

Agency agreement expiration date: 12 Months

By:

A handwritten signature in blue ink that reads "Yao Ming Huang". The signature is written in a cursive style with a large, sweeping initial 'Y'.

Signature

YaoMing Huang

Printed

Title: Manager

On behalf of: DawnSun Electronic Technology Co., Ltd.Zhongshan

Tel No: (86) 0760-87336328