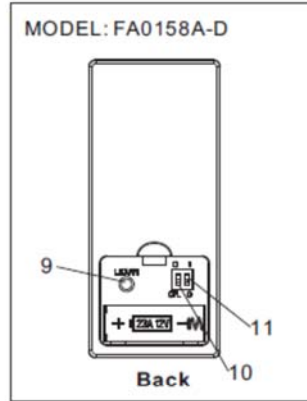
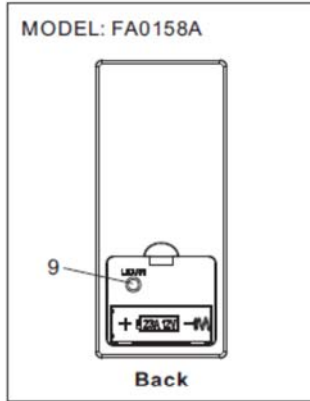


Declaration letter

We confirmed:

The below products have the same technical construction including circuit diagram, PCB Layout, components and component layout, all electrical construction and mechanical construction. The difference lies only below:



Remote Control Functions:

1. FAN ON/OFF Button:
Turn the fan on or off.
2. Fan speed HIGH.
3. Fan speed MEDIUM.
4. Fan speed LOW.
5. LIGHT ON/OFF/DIMMING Button:
To control light on/off/dimming.
6. Walk Away Delay Off Button.
7. Nature Breeze Button.
8. Home Shield Button.
9. Extended Function Switch L.

Remote Control Functions:

1. FAN ON/OFF Button:
Turn the fan on or off.
2. Fan speed HIGH.
3. Fan speed MEDIUM.
4. Fan speed LOW.
5. LIGHT ON/OFF/DIMMING Button:
To control light on/off/dimming.
6. Walk Away Delay Off Button.
7. Nature Breeze Button.
8. Home Shield Button.
9. Extended Function Switch L.
10. Extended Function Switch R.
11. Extended Function Switch C.

Model	Switch L (LEARN)	Switch R (DIP SWITCH)	Switch C (D/O)	Software
FA0158A	√			Default
FA0158-D	√	√	√	Default

The keys Switch L, Switch R, Switch C. These are optional for all models and no influence to RF performance.

Applicant: DawnSun Electronic Technology Co., Ltd. Zhongshan

January 23, 2024

Applicant's authorized signature Date