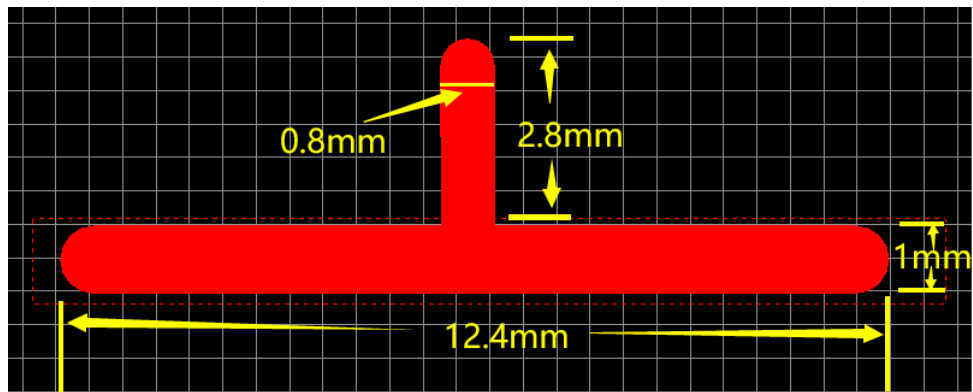


The size of the "T" antenna is as follows, and the maximum gain of the antenna is -6.93dBi.



The specific parameters are as follows:

1、 Frequency Band

Tx:2400MHz~2480 MHz

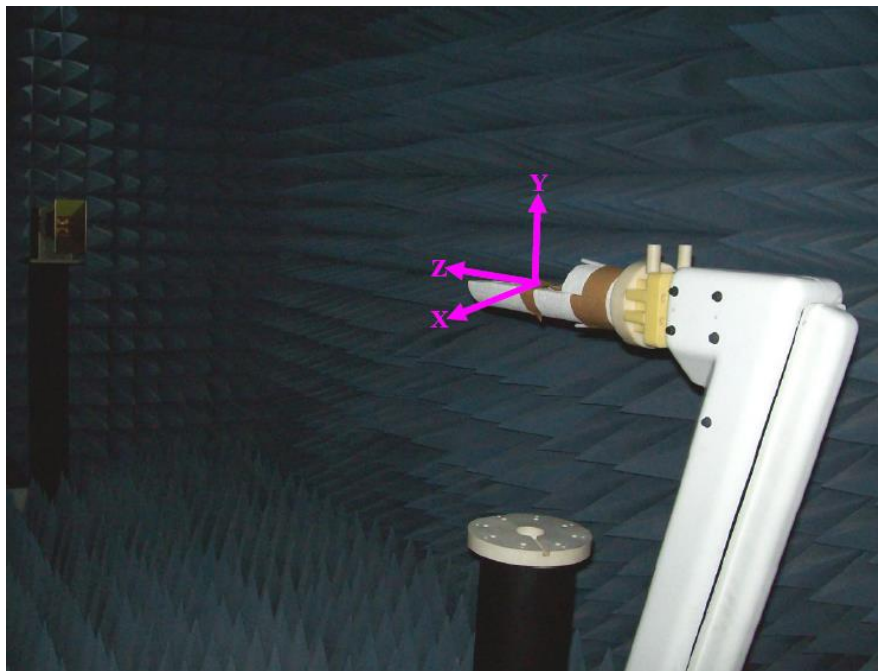
Rx:2400 MHz ~2480 MHz

2、 Antenna Model: TX0523

3、 Company name: Zhongshan Yongke Optoelectronics Co.

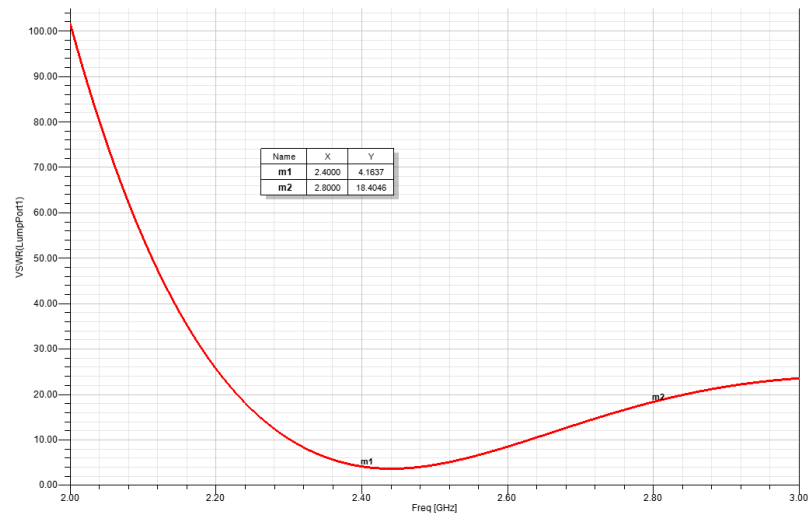
Address: No. 9, Building 9, Ruifeng Lighting City, Guzhen, Zhongshan

4、 Plane definition



XY-plane	Theta=90°
XZ-plane	Phi=0°
YZ-plane	Phi=90°

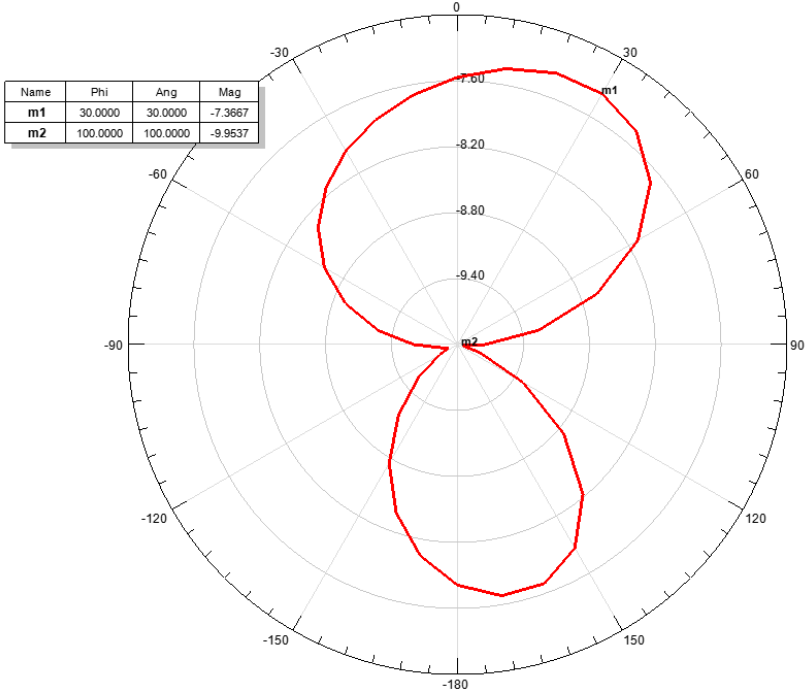
5、VSWR



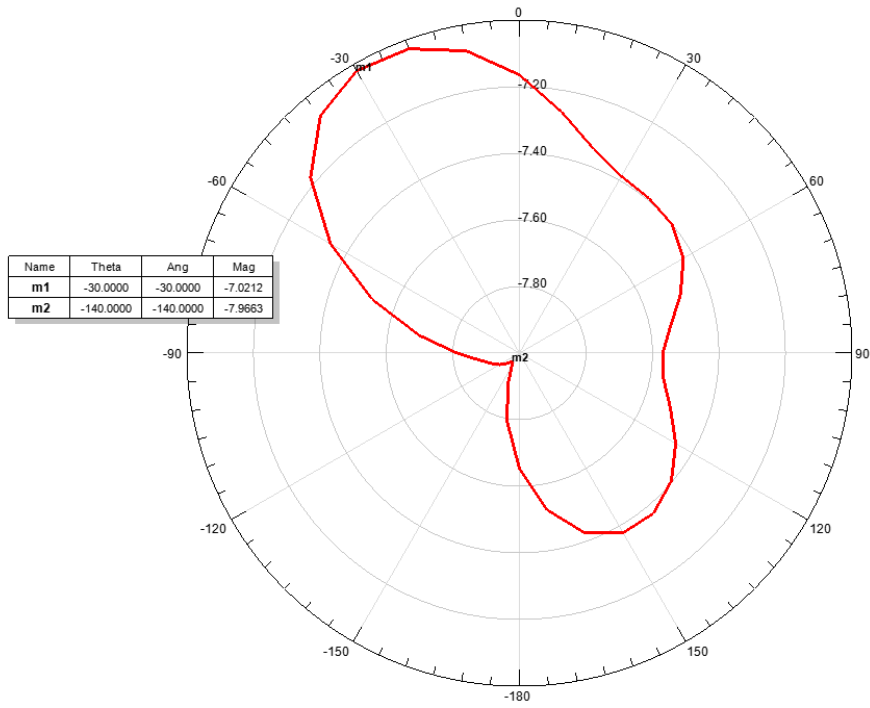
6、Radiation Patterns(GAIN @ 2440MHz)

Plane	XY			XZ			YZ		
Frequency(MHz)	2400	2440	2480	2400	2440	2480	2400	2440	2480
Peak Gain (dBi)	-7.35	-7.36	-7.37	-7.1	-7.02	-7.15	-6.98	-6.93	-7.05

XY-Plane



XZ-Plane



YZ-Plane

