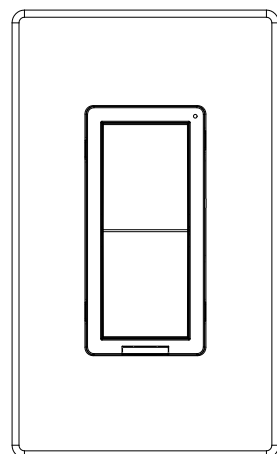


# SNA042CLR2-W-1X1200 -P

## Smart Switch Installation Instructions Manual



Model No.	SNA042CLR2-W-1X1200-P		
Rated Voltage	120-277V~		
Rated Frequency	60Hz		
Operating Voltage	120V~	277V~	
Load Range	Incand.	10A/1200VA	8A/2216VA
	LED/CFL	10A/1200VA	8A/2216VA
	Res	10A/1200VA	8A/2216VA
	Motor	1/2 HP	1 HP
Communication module	Wi-Fi and Blueooth		
Operating Environment	Temperature: 0°C - 40°C		
	Humidity: 10% R.H. - 90% R.H.		
Usage Environment	Indoor use only		
Model Size	105 mm×44 mm×33mm (L×W×H)		

### ! WARNINGS AND CAUTIONS

- To protect against the dangers of fire and electric shock, a product has to be installed according to electrical codes and standards.
- This product should be use together with an upstream air-switch.
- Turn power off at circuit breaker or fuse and test that power is off before installing.
- If you are unsure about any part of these instructions, consult a licensed electrician.

### RF EXPOSURE STATEMENT

This equipment complies with the FCC RF radiation exposure limits set forth for an uncontrolled environment. This equipment should be installed and operated with a minimum distance of 20cm between the radiator and any part of your body.

This equipment meets the exemption from the routine evaluation limits in section 2.5 of RSS-102. It should be installed and operated with a minimum distance of 20cm between the radiator and any part of your body.

Cet équipement est conforme à l'exemption des limites d'évaluation habituelle de la section 2.5 de la norme RSS-102. Il doit être installé et utilisé à une distance minimale de 20 cm entre le radiateur et toute partie de votre corps.

### IC Information

This device contains licence-exempt transmitter(s) that comply with Innovation, Science and Economic Development Canada's licence-exempt RSS(s). Operation is subject to the following two conditions:

- (1) This device may not cause interference.
- (2) This device must accept any interference, including interference that may cause undesired operation of the device.

L'émetteur/récepteur exempt de licence contenu dans le présent appareil est conforme aux CNR d'Innovation, Sciences et Développement économique Canada applicables aux appareils radio exempts de licence. L'exploitation est autorisée aux deux conditions suivantes:

1. L'appareil ne doit pas produire de brouillage;
2. L'appareil doit accepter tout brouillage radioélectrique subi, même si le brouillage est susceptible d'en compromettre le fonctionnement.

### FCC Information

This device complies with Part 15 of the FCC Rules. Operation is subject to the following two conditions:

This device may not cause harmful interference, and (2) This device must accept any interference received, including interference that may cause undesired operation.

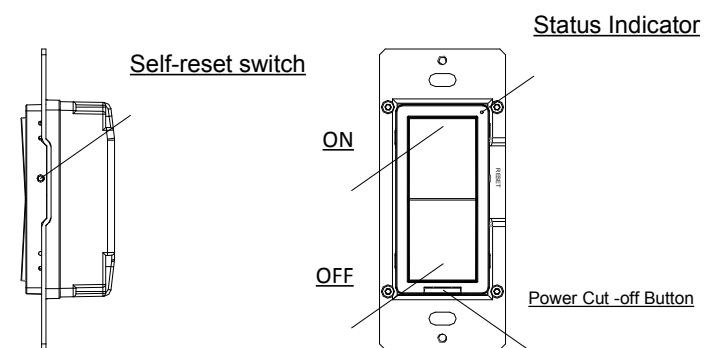
This equipment has been tested and found to comply with the limits for a Class B digital device, pursuant to part 15 of the FCC Rules. These limits are designed to provide reasonable protection against harmful interference in a residential installation. This equipment generates, uses and can radiate radio frequency energy and, if not installed and used in accordance with the instructions, may cause harmful interference to radio communications. However, there is no guarantee that interference will not occur in a particular installation. If this equipment does cause harmful interference to radio or television reception, which can be determined by turning the equipment off and on, the user is encouraged to try to correct the interference by one or more of the following measures:

- Reorient or relocate the receiving antenna.
- Increase the separation between the equipment and receiver.
- Connect the equipment into an outlet on a circuit different from that to which the receiver is connected.
- Consult the dealer or an experienced radio/TV technician for help.

### FCC CAUTION

Any changes or modifications to this unit not expressly approved by the manufacture could void the user's authority to operate the equipment.

### Feature Discription



Short press: Within 0.5s .  
Long press: Over 0.5s.  
Continuous short press: Each interval of short press should within 0.3s.

### Status Indicator

- Indicator lights red: OFF status.
- Indicator lights green: ON status.
- Green Indicator flashing: enter distribution network mode.

### ON/OFF

- Load power ON: When the load is powered off, press the ON button once.
- Load power OFF: When the load is powered on, press the OFF button once.
- Network mode: when the light is on, Long press ON or OFF for 3 seconds. After the status indicator blinks quickly, the phone can be connected to the smart switch. (if it is not connected, exit the network mode after 3 minutes).

Note:

- When configuring the internet, turn on the Wi-Fi and Bluetooth of the mobile phone at the same time, so that the internet can be configured quickly.
- Smartphone APP controls the smart switch 5 minutes later, when the phone's Bluetooth is switched on during a Wi-Fi disconnect.

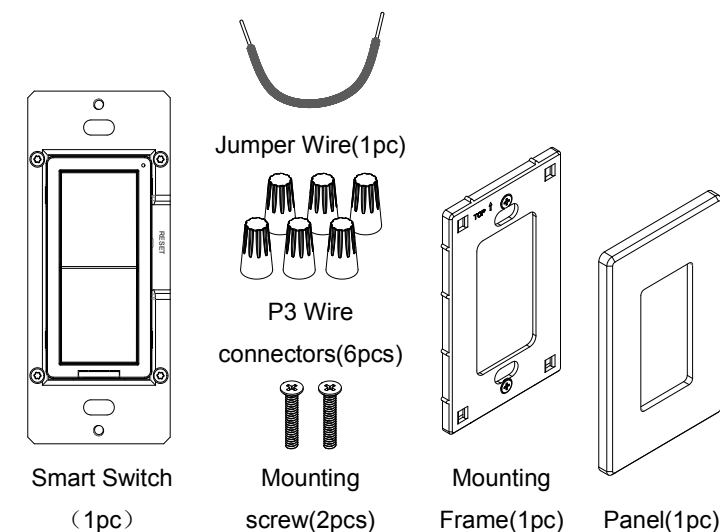
### Self-reset Switch

- Network mode: when the light is on, Long press the reset switch for 3 seconds. After the status indicator blinks quickly, the phone can be connected to the smart switch. (if it is not connected, exit the network mode after 3 minutes).

### Power Cut -off Button

- Put in the power cut-off button to connect the power.
- Put out the power cut-off button to cut off the power.

### Parts Information



### Tools needed to install your smart switch

Φ3mm Slotted Screwdriver	Φ5mm Philips Screwdriver	Electrical Tape	Cutters
Pliers	Test Pencil	Ruler	

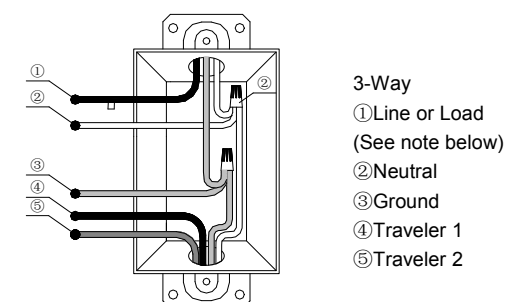
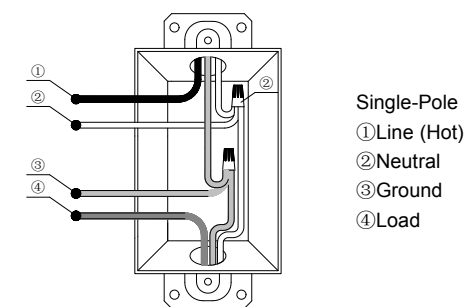
### Installation and testing

**Step 1** **WARNING:** To avoid fire and electrical shock, TURN OFF POWER at circuit breaker or fuse and test that power is off before wiring.

**Step 2** Removing existing switch: Remove existing wall plate and switch mounting screws. Carefully pull switch from wall box, identify and take out the wires attached to the switch, then remove the switch. DO NOT remove wires which are taken out from the switch at this time. (If new configuration is without this step)

**Step 3** Identifying your wiring application

NOTE: If the wiring in the wall box does not resemble any of these configurations, consult an electrician.

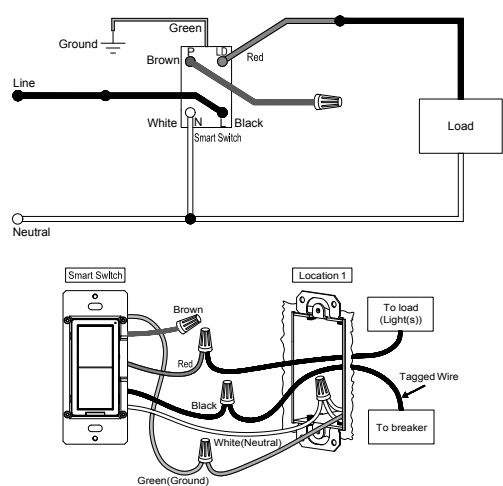


Please note that for 3-way application, there have a power cord from the original switch be a different color (Black) or marked Common. Finding this power cord from both the Smart Switch's junction box and 3-way junction box and marking as common (live or load).

**Step 4** Typical wiring application

**Step 4a** Single-Pole

Wiring scheme 1



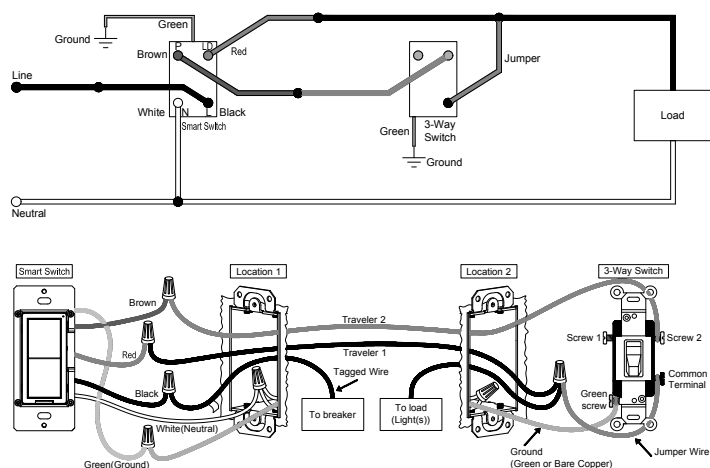
Location 1 wiring:

- Connect the green wire on the smart switch with the green or bare copper ground wire on the wall box and tighten it by screwing the P3 wiring nut.
- Connect the black wire on the smart switch with the live wire of the circuit breaker or load wire and tighten it by screwing the P3 wiring nut.
- Connect the white wire on the smart switch with the neutral wire, and tighten it by screwing the P3 wiring nut.
- Connect the red wire on the smart switch with the live wire of the circuit breaker or load wire and tighten it by screwing the P3 wiring nut.
- Protect the remaining brown wire on the smart switch by screwing the P3 wiring nut.

**Step 4b-1** 3-Way(3-way Switch)

**Smart Switch Line Side**

Wiring scheme 2



Location 1 wiring:

- Connect the green wire on the smart switch with the green or bare copper ground wire on the wall box and tighten it by screwing the P3 wiring nut.

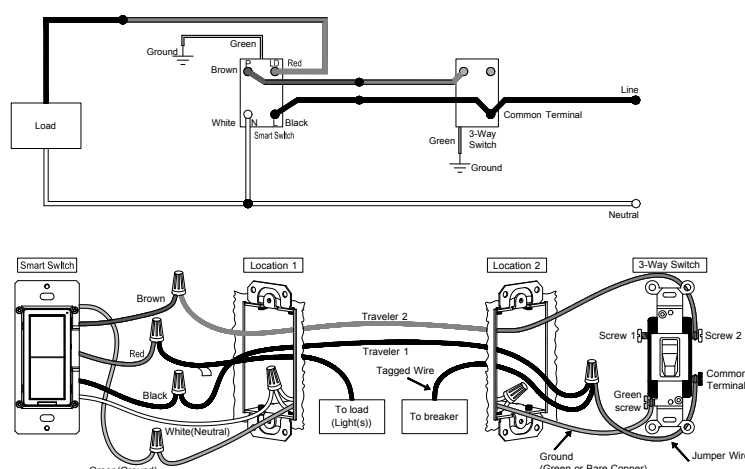
- Connect the black wire on the smart switch with the live wire of the circuit breaker or load wire and tighten it by screwing the P3 wiring nut.
- Connect the white wire on the smart switch with the neutral wire, and tighten it by screwing the P3 wiring nut.
- Connect the brown wire on the smart switch with Traveler 2 and tighten it by screwing the P3 wiring nut.
- Connect the red wire on the smart switch with Traveler 1 and tighten it by screwing the P3 wiring nut.

Location 2 wiring:

- Connect Traveler 2 with Screw 1 or Screw 2 of the 3-way Switch.
- Connect the 3-way Switch Common Terminal with the Jumper wire, then connect Traveler 1 with the Jumper wire, as well as the live wire of the circuit breaker or load wire, and tighten it by screwing the P3 wiring nut.

**Smart Switch Load Side**

Wiring scheme 3



Location 1 wiring:

- Connect the green wire on the smart switch with the green or bare copper ground wire on the wall box and tighten it by screwing the P3 wiring nut.
- Connect the black wire on the smart switch with Traveler 1 and tighten it by screwing the P3 wiring nut.
- Connect the white wire on the smart switch with the neutral wire and tighten it by screwing the P3 wiring nut.
- Connect the brown wire on the smart switch with Traveler 2 and tighten it by screwing the P3 wiring nut.
- Connect the red wire on the smart switch with the labeled wire (load wire) and tighten it by screwing the P3 wiring nut.

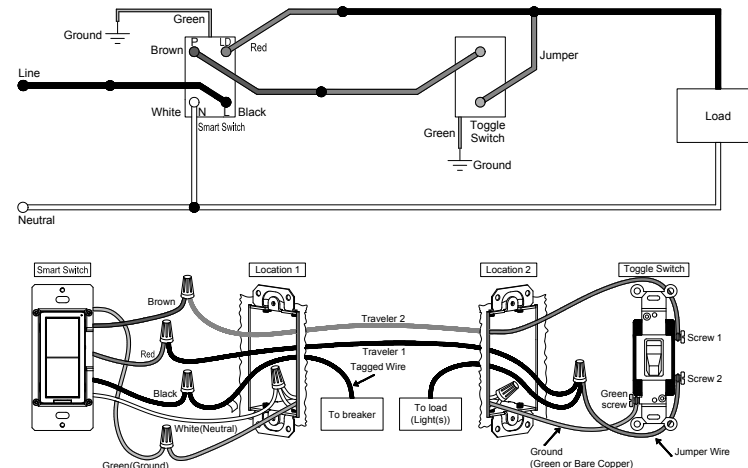
Location 2 wiring:

- Connect Traveler 2 with Screw 1 or Screw 2 of the 3-way Switch.
- Connect the 3-way Switch Common Terminal with the Jumper wire, then connect Traveler 1 with the Jumper wire, as well as the live wire of the circuit breaker and tighten it by screwing the P3 wiring nut.

**Step 4b-2** 3-Way(Toggle Switch)

**Smart Switch Line Side**

Wiring scheme 4



Location 1 wiring:

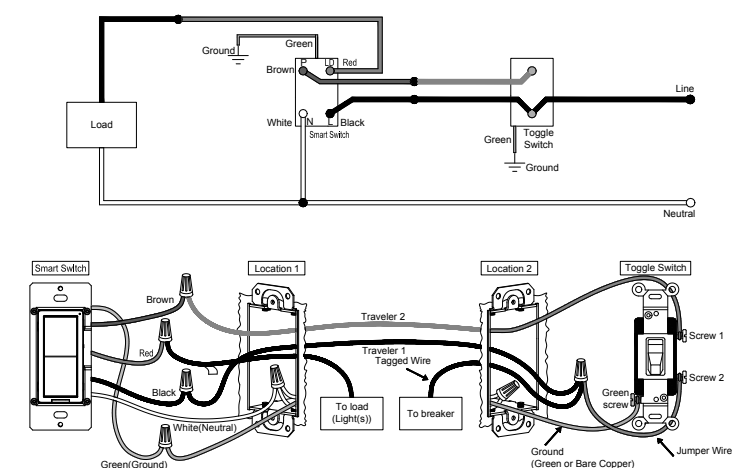
- Connect the green wire on the smart switch with the green or bare copper ground wire on the wall box and tighten it by screwing the P3 wiring nut.
- Connect the black wire on the smart switch with the live wire of the circuit breaker or load wire and tighten it by screwing the P3 wiring nut.
- Connect the white wire on the smart switch with the neutral wire, and tighten it by screwing the P3 wiring nut.
- Connect the brown wire on the smart switch with Traveler 2 and tighten it by screwing the P3 wiring nut.
- Connect the red wire on the smart switch with Traveler 1 and tighten it by screwing the P3 wiring nut.

Location 2 wiring:

- Connect Traveler 2 with Screw 1 of the Toggle Switch.
- Connect Screw 2 of the Toggle switch with the Jumper wire, then connect Traveler 1 with the Jumper wire, as well as the live wire of the circuit breaker or load wire, and tighten it by screwing the P3 wiring nut.

**Smart Switch Load Side**

Wiring scheme 5



Location 1 wiring:

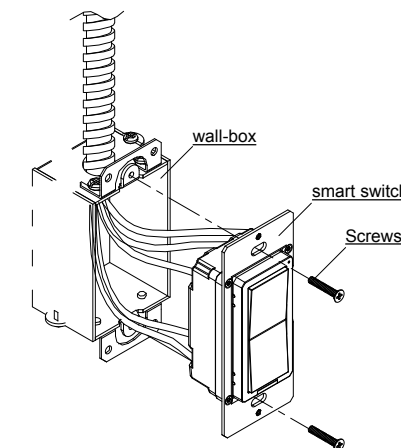
- Connect the green wire on the smart switch with the green or bare copper ground wire on the wall box and tighten it by screwing the P3 wiring nut.
- Connect the black wire on the smart switch with Traveler 1 and tighten it by screwing the P3 wiring nut.
- Connect the white wire on the smart switch with the neutral wire and tighten it by screwing the P3 wiring nut.
- Connect the brown wire on the smart switch with Traveler 2 and tighten it by screwing the P3 wiring nut.
- Connect the red wire on the smart switch with the labeled wire (load wire) and tighten it by screwing the P3 wiring nut.

Location 2 wiring:

- Connect Traveler 2 with Screw 1 of the Toggle Switch.
- Connect the Toggle Switch Screw 2 with the Jumper wire, then connect Traveler 1 with the Jumper wire, as well as the live wire of the circuit breaker, and tighten it by screwing the P3 wiring nut.

**Step 5** Installing smart switch

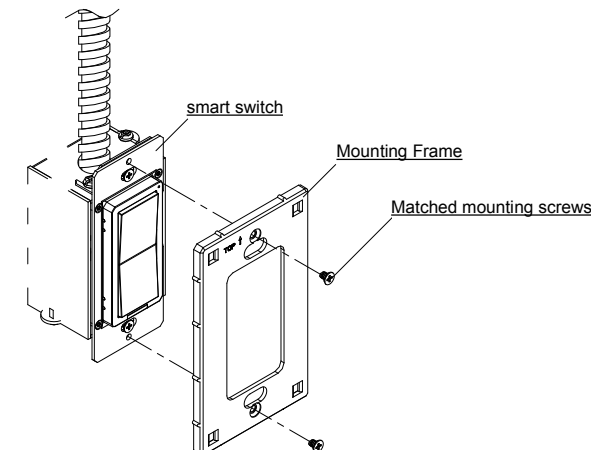
- Carefully position all wires inside the wall-box, leaving enough space to insert the smart switch and tighten with the matched screws.



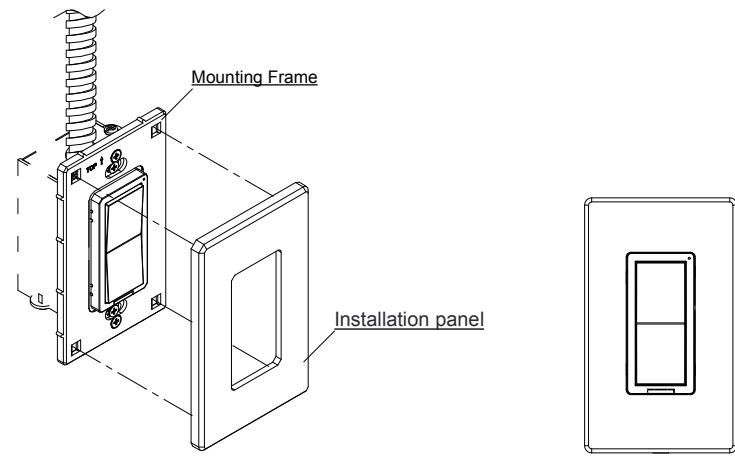
**Step 6** Install the panel

**Step 6a** Split panel

- Install the mounting frame on the smart switch and secure it with the supporting mounting screws.

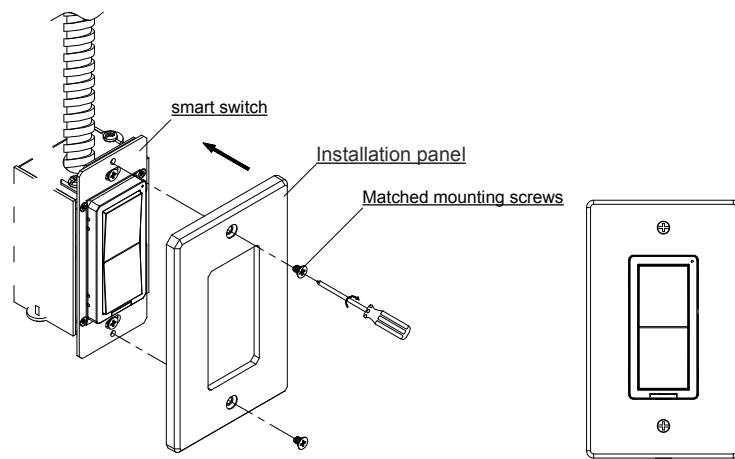


- Put the panel and mounting frame together, press gently to make sure it is be installed firmly.



#### Step 6b Integrated panel

- Place the panel on the mounted smart switch and secure it with the matching mounting screws.



### Using instruction

Table 1 Single - Pole Function table

Function	smart switch Operation Way	smart switch Operation	APP Operation
Distribution network mode	Long press ON or OFF for 3 seconds	√	×
	Long press the reset switch for 3 seconds		
ON	Press the ON button once	√	√
OFF	Press the OFF button once	√	√
Time switch on/off	NOT	×	√
Shared device	NOT	×	√
group control	NOT	×	√

Table2 3 - way Function table

Function	smart switch Operation Way	smart switch Operation	3-way Switch or Toggle Switch Operation	APP Operation
Distribution network mode	Long press ON or OFF for 3 seconds	√	×	×
	Long press the reset switch for 3 seconds			
ON	Press the ON button once	√	√	√
OFF	Press the OFF button once	√	√	√
Time switch on/off	NOT	×	×	√
Shared device	NOT	×	×	√
group control	NOT	×	×	√

### Troubleshooting

Problems	Possible Cause	Solution
Lights flickering	Lamp has a bad connection.	Reconnect and fix the wires.
Lamps can't be turn on	Circuit breaker has tripped.	Turn power on
	Fuse burn out	Change fuse
	Lamp burned out	Change lamp
Lamp neutral connection is not wired	Lamp neutral connection is not wired	Reconnect the lamp neutral
	Lights out of control or unable to connect to the network	abnormal

### Distribution network

- Network mode: when the light is on, Long press ON or OFF for 3 seconds. After the status indicator blinks quickly, the phone can be connected to the smart switch. (if it is not connected, exit the network mode after 3 minutes).
- Supports Amazon Echo Plus and Philips Hue control.

### Mobile app operation

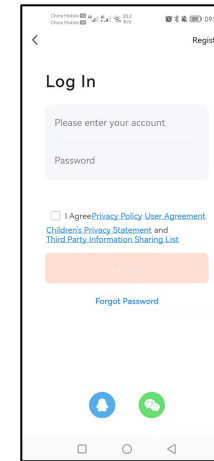
#### Step 1 Download the 'Smart Life' App

- Use your mobile device to scan the QR code below or search for "Smart Life" in the App Store or Google play to download and install the app.




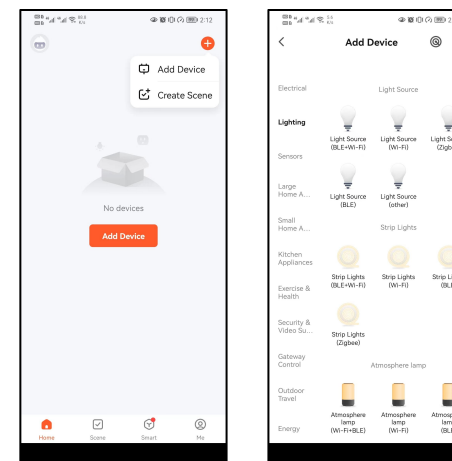
#### Step 2 Register an account and Login

- Open the Smart Life app,click Register to create an account and login.



#### Step 3 Add the smart switch

- Click on the top right  , click **Add Device**;
- Click **Lighting**,Click  ,to enter the device connection interface.



#### Step 4 Mobile connection

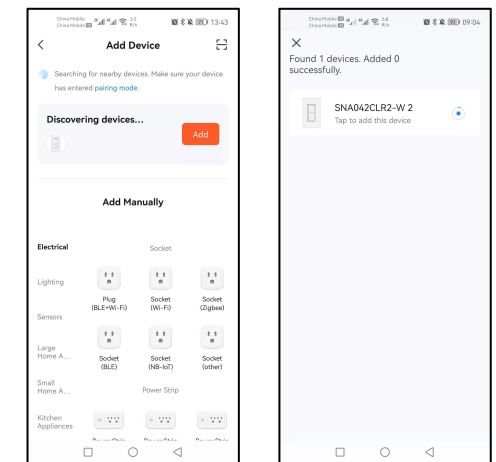
- Network mode: when the light is on, Long press ON or OFF for 3 seconds. After the status indicator blinks quickly, the phone can be connected to the smart switch. (if it is not connected, exit the network mode after 3 minutes).

#### Note:

- When configuring the internet, turn on the Wi-Fi and Bluetooth of the mobile phone at the same time, so that the internet can be configured quickly.
- Smartphone APP controls the smart switch 5 minutes later, when the phone's Bluetooth is switched on during a Wi-Fi disconnect.

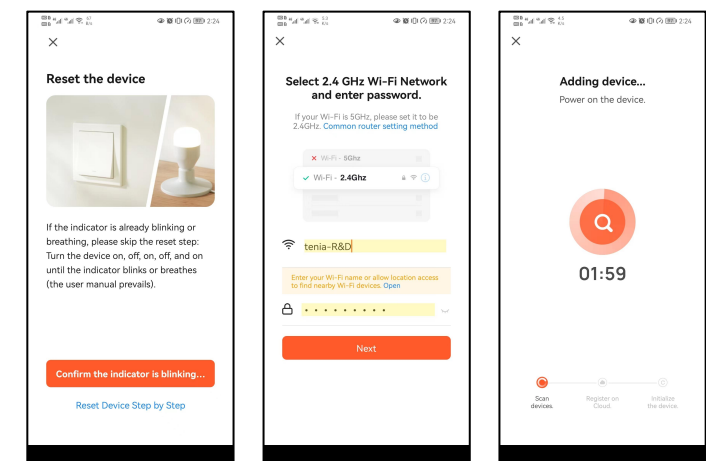
#### Step 4a Rapid distribution network

- Turn on your phone's Wi-Fi and Bluetooth at the same, and automatically scan for devices that can be connected to the internet.
- Click **Add**, wait for connect.

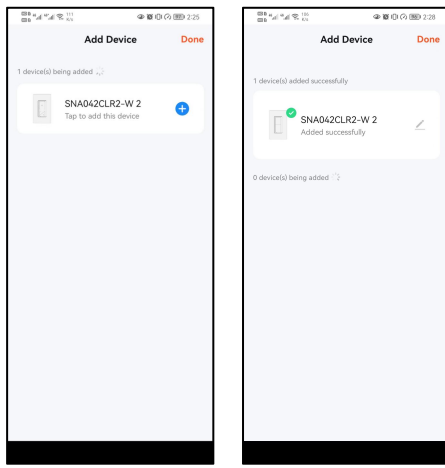


#### Step 4b Normal distribution network


- Make sure the App control indicator LED is blinking, click **Confirm the indicator is blinking...**
- Enter your home Wi-Fi password, click **Next**,wait for connect.




- After clicking , click **Done**.

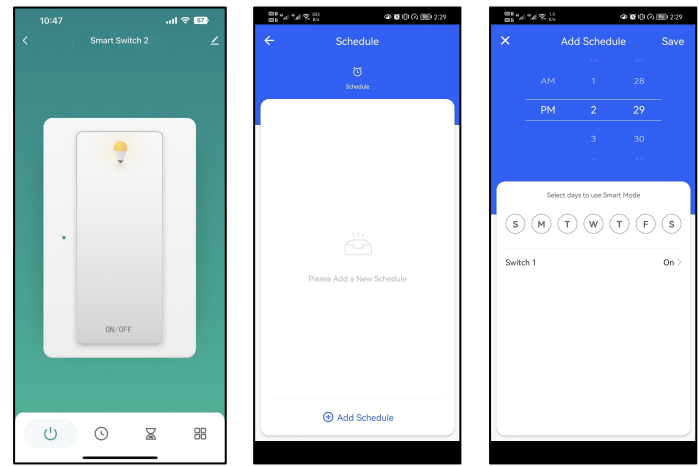


**Step 5** Use the phone App to control smart switch

- Click , control the light on and off function of the smart switch.

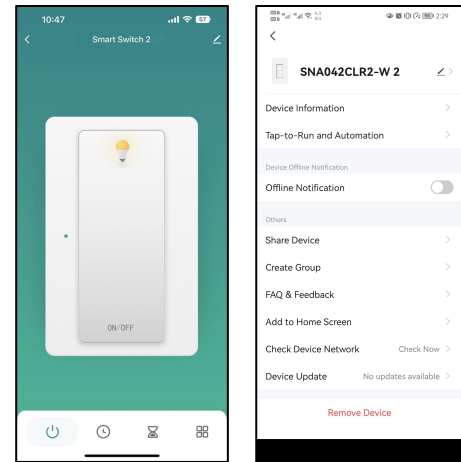


- Click , to set the timer light on and off function of the smart switch.
- Add timing and save.

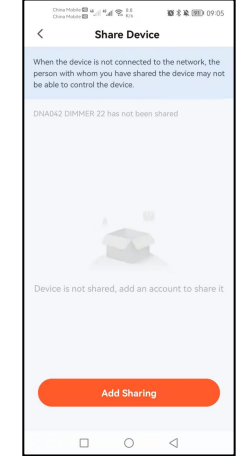


- After the smart switch is connected, it can be shared with multiple people, that is, one smart switch can be controlled by multiple apps.

- Click the upper right corner to , enter the device details interface.
- Click **Share Device**, to enter the Device sharing interface and add family members.



- Click **Add Sharing**, add sharing account.



**Support Amazon Alexa and Google Home**

**voice control**

- For Amazon Alexa
  - ✧ Alexa, turn on <device name>
  - ✧ Alexa, turn off <device name>
  - ✧ Alexa, set <device name> to percent
- For Google Home
  - ✧ Hey Google, turn on <device name>
  - ✧ Hey Google, turn off <device name>
  - ✧ Hey Google, is <device name> on/off?