



**Shenzhen CTA Testing Technology Co., Ltd.**

Room 106, Building 1, Yibaolai Industrial Park, Qiaotou Community, Fuhai Street, Bao'an District, Shenzhen, China

# TEST REPORT

**FCC Part 24 Subpart E**

**Report Reference No.**.....: **CTA22051300309**

**FCC ID**.....: **2AJYU-8MH0011**

Compiled by

( position+printed name+signature) :: File administrators Kevin Liu

Supervised by

( position+printed name+signature) :: Project Engineer Kevin Liu

Approved by

( position+printed name+signature) :: RF Manager Eric Wang

*Kevin Liu*  
  
*Eric Wang*

Date of issue.....: Jun. 18, 2022

**Testing Laboratory Name** .....: **Shenzhen CTA Testing Technology Co., Ltd.**

Address .....: Room 106, Building 1, Yibaolai Industrial Park, Qiaotou Community, Fuhai Street, Bao'an District, Shenzhen, China

**Applicant's name** .....: **SIMCom Wireless Solutions Limited**

Address .....: Building 3, No. 289, Linhong Road, Changning District, Shanghai, P.R.China

**Test specification** .....

Standard .....: **FCC CFR Title 47 Part 2, Part 24E**  
**ANSI/TIA-603-E-2016**  
**KDB 971168 D01**

**Shenzhen CTA Testing Technology Co., Ltd. All rights reserved.**

This publication may be reproduced in whole or in part for non-commercial purposes as long as the Shenzhen CTA Testing Technology Co., Ltd. is acknowledged as copyright owner and source of the material. Shenzhen CTA Testing Technology Co., Ltd. takes no responsibility for and will not assume liability for damages resulting from the reader's interpretation of the reproduced material due to its placement and context.

**Test item description**.....: LTE Wireless Data Module

Trade Mark .....: SIMCom

**Manufacturer**.....: SIMCom Wireless Solutions Limited

Model/Type reference.....: SIM6600-M2

Listed Models .....: N/A

Ratings .....: DC 12.0V from External circuit

Modulation .....: QPSK, 16QAM

Hardware version .....: 8MH001-SIM6600-M2\_V1.03

Software version .....: SIM6600M2B01V01

Frequency.....: E-UTRA Band 2, 4, 5, 7, 12, 13, 17, 25, 26, 30,38, 40, 41, 66, 71

Result.....: **PASS**

# TEST REPORT

Equipment under Test : LTE Wireless Data Module

Model /Type : SIM6600-M2

Listed Models : N/A

**Applicant** : **SIMCom Wireless Solutions Limited**

Address : Building 3, No. 289, Linhong Road, Changning District, Shanghai, P.R.China

**Manufacturer** : **SIMCom Wireless Solutions Limited**

Address : Building 3, No. 289, Linhong Road, Changning District, Shanghai, P.R.China

<b>Test result</b>	<b>Pass *</b>
--------------------	---------------

\* In the configuration tested, the EUT complied with the standards specified page 4.

The test report merely corresponds to the test sample.

It is not permitted to copy extracts of these test result without the written permission of the test laboratory.

# Contents

<b>1</b>	<b>SUMMARY .....</b>	<b>4</b>
1.1	TEST STANDARDS .....	4
1.2	TEST DESCRIPTION .....	4
1.3	ADDRESS OF THE TEST LABORATORY .....	4
1.4	TEST FACILITY .....	4
1.5	STATEMENT OF THE MEASUREMENT UNCERTAINTY .....	5
<b>2</b>	<b>GENERAL INFORMATION .....</b>	<b>6</b>
2.1	ENVIRONMENTAL CONDITIONS .....	6
2.2	GENERAL DESCRIPTION OF EUT .....	6
2.3	DESCRIPTION OF TEST MODES AND TEST FREQUENCY .....	7
2.4	EQUIPMENTS USED DURING THE TEST .....	7
2.5	RELATED SUBMITTAL(S) / GRANT (S) .....	8
2.6	MODIFICATIONS .....	8
<b>3</b>	<b>TEST CONDITIONS AND RESULTS .....</b>	<b>9</b>
3.1	OUTPUT POWER .....	9
3.2	PEAK-TO-AVERAGE RATIO (PAR) .....	16
3.3	OCCUPIED BANDWIDTH AND EMISSION BANDWIDTH .....	17
3.4	BAND EDGE COMPLIANCE .....	18
3.5	SPURIOUS EMISSION .....	19
3.6	FREQUENCY STABILITY UNDER TEMPERATURE & VOLTAGE VARIATIONS .....	23
<b>4</b>	<b>TEST SETUP PHOTOS OF THE EUT .....</b>	<b>25</b>
<b>5</b>	<b>PHOTOS OF THE EUT .....</b>	<b>25</b>

# 1 SUMMARY

## 1.1 TEST STANDARDS

The tests were performed according to following standards:

[FCC Part 2:](#) FREQUENCY ALLOCATIONS AND RADIO TREATY MATTERS; GENERAL RULES AND REGULATIONS

[FCC Part 24 Subpart E:](#) PUBLIC MOBILE SERVICES

[ANSI/TIA-603-E-2016:](#) Land Mobile FM or PM Communications Equipment Measurement and Performance Standards.

[ANSI C63.26-2015:](#) IEEE/ANSI Standard for Compliance Testing of Transmitters Used in Licensed Radio Services

[FCC KDB971168D01](#) Power Meas License Digital Systems

## 1.2 Test Description

Test Item	Section in CFR 47	Result
RF Output Power	Part 2.1046 Part 24.232 (c)	Pass
Peak-to-Average Ratio	Part 24.232 (d)	Pass
99% & -26 dB Occupied Bandwidth	Part 2.1049 Part 24.238	Pass
Spurious Emissions at Antenna Terminal	Part 2.1051 Part 24.238 (a)	Pass
Field Strength of Spurious Radiation	Part 2.1053 Part 24.238 (a)	Pass
Out of band emission, Band Edge	Part 22.917 (a) Part 24.238 (a)	Pass
Frequency stability	Part 2.1055 Part 24.235	Pass

## 1.3 Address of the test laboratory

**Shenzhen CTA Testing Technology Co., Ltd.**

Room 106, Building 1, Yibaolai Industrial Park, Qiaotou Community, Fuhai Street, Bao'an District, Shenzhen, China

The 3m-Semi anechoic test site fulfils CISPR 16-1-4 according to ANSI C63.4:2014 and CISPR 16-1-4:2010 SVSWR requirement for radiated emission above 1GHz.

## 1.4 Test Facility

The test facility is recognized, certified, or accredited by the following organizations:

**FCC-Registration No.: 517856 Designation Number: CN1318**

Shenzhen CTA Testing Technology Co., Ltd. has been listed on the US Federal Communications Commission list of test facilities recognized to perform electromagnetic emissions measurements.

**Industry Canada Registration Number. Is: 27890 CAB identifier: CN0127**

The Laboratory has been registered by Certification and Engineering Bureau of Industry Canada for radio equipment testing.

**A2LA-Lab Cert. No.: 6534.01**

Shenzhen CTA Testing Technology Co., Ltd. has been listed by American Association for Laboratory Accreditation to perform electromagnetic emission measurement.

The 3m-Semi anechoic test site fulfils CISPR 16-1-4 according to ANSI C63.10 and CISPR 16-1-4:2010.

## 1.5 Statement of the measurement uncertainty

The data and results referenced in this document are true and accurate. The reader is cautioned that there may be errors within the calibration limits of the equipment and facilities. The measurement uncertainty was calculated for all measurements listed in this test report acc. to TR-100028-01 "Electromagnetic compatibility and Radio spectrum Matters (ERM); Uncertainties in the measurement of mobile radio equipment characteristics; Part 1" and TR-100028-02 "Electromagnetic compatibility and Radio spectrum Matters (ERM); Uncertainties in the measurement of mobile radio equipment characteristics; Part 2" and is documented in the Shenzhen CTA Testing Technology Co., Ltd. quality system acc. to DIN EN ISO/IEC 17025. Furthermore, component and process variability of devices similar to that tested may result in additional deviation. The manufacturer has the sole responsibility of continued compliance of the device.

Hereafter the best measurement capability for Shenzhen CTA Testing Technology Co., Ltd. is reported:

Test	Range	Measurement Uncertainty	Notes
Radiated Emission	30~1000MHz	4.10 dB	(1)
Radiated Emission	1~18GHz	4.32 dB	(1)
Radiated Emission	18-40GHz	5.54 dB	(1)
Conducted Disturbance	0.15~30MHz	3.12 dB	(1)
Conducted Power	9KHz~18GHz	0.61 dB	(1)
Spurious RF Conducted Emission	9KHz~40GHz	1.22 dB	(1)
Band Edge Compliance of RF Emission	9KHz~40GHz	1.22 dB	(1)
Occupied Bandwidth	9KHz~40GHz	-	(1)

(1) This uncertainty represents an expanded uncertainty expressed at approximately the 95% confidence level using a coverage factor of  $k=1.96$ .

## 2 GENERAL INFORMATION

### 2.1 Environmental conditions

Date of receipt of test sample	:	May. 12, 2022
Testing commenced on	:	May. 12, 2022
Testing concluded on	:	Jun. 18, 2022

During the measurement the environmental conditions were within the listed ranges:

Normal Temperature:	25°C
Relative Humidity:	55 %
Air Pressure:	101 kPa

### 2.2 General Description of EUT

Product Name:	LTE Wireless Data Module
Model/Type reference:	SIM6600-M2
Power supply:	DC 12.0V from External circuit
Testing sample ID :	CTA220513003-1-1#(Engineer sample), CTA220513003-1-2#(Normal sample)
<b>LTE</b>	
Operation Band:	E-UTRA Band 2, 4, 5, 7, 12, 13, 17, 25, 26, 30,,38, 40, 41, 66, 71
Support Bandwidth:	Band 2: 1.4MHz, 3MHz, 5MHz, 10MHz, 15MHz, 20MHz Band 4: 1.4MHz, 3MHz, 5MHz,10MHz, 15MHz, 20MHz Band 5: 1.4MHz, 3MHz, 5MHz,10MHz, Band 7: 5MHz,10MHz,15MHz,20MHz, Band 12: 1.4MHz, 3MHz, 5MHz, 10MHz, Band 13: 5MHz, 10MHz, Band 17: 5MHz, 10MHz, Band 25: 1.4MHz, 3MHz, 5MHz, 10MHz, 15MHz, 20MHz, Band 26: 1.4MHz, 3MHz, 5MHz, 10MHz, 15MHz, Band 30: 5MHz, 10MHz Band 38: 5MHz,10MHz,15MHz,20MHz, Band 40: 5MHz, 10MHz, Band 41: 5MHz,10MHz,15MHz,20MHz, Band 66: 1.4MHz, 3MHz, 5MHz, 10MHz, 15MHz, 20MHz Band 71: 5MHz, 10MHz, 15MHz, 20MHz,
TX/RX Frequency Range:	E-UTRA Band 2(1850 MHz -1910MHz) E-UTRA Band 4(1710 MHz -1755MHz) E-UTRA Band 5(824 MHz -849MHz) E-UTRA Band 7(2500 MHz -2570MHz) E-UTRA Band 12(699 MHz -716MHz) E-UTRA Band 13(777 MHz -787MHz) E-UTRA Band 17(704 MHz -716MHz) E-UTRA Band 25(1850 MHz -1915MHz) E-UTRA Band 26(814 MHz -824MHz) E-UTRA Band 26(824 MHz -849MHz)



	E-UTRA Band 30(2305 MHz -2315MHz) E-UTRA Band 38(2570 MHz -2620MHz) E-UTRA Band 40 (2305 MHz - 2315MHz&2350MHz – 2360MHz) E-UTRA Band 41(2496 MHz -2690MHz) E-UTRA Band 66(1710 MHz -1780MHz) E-UTRA Band 71(663MHz-698 MHz)
Modulation Type:	QPSK, 16QAM
Release Version:	Release 9
Category:	Cat 7
Antenna Type:	External antenna
Antenna Gain:	Band 2, 4, 5, 7, 12, 13, 17, 25, 26, 30,38, 40, 41, 66, 71 :1dBi

Note: For more details, refer to the user's manual of the EUT.

### 2.3 Description of Test Modes and Test Frequency

The EUT has been tested under typical operating condition. The CMW500 used to control the EUT staying in continuous transmitting and receiving mode for testing. Regards to the frequency band operation: the lowest, middle and highest frequency of channel were selected to perform the test, then shown on this report.

### 2.4 Equipments Used during the Test

Test Equipment	Manufacturer	Model No.	Equipment No.	Calibration Date	Calibration Due Date
LISN	R&S	ENV216	CTA-308	2021/08/06	2022/08/05
LISN	R&S	ENV216	CTA-314	2021/08/06	2022/08/05
EMI Test Receiver	R&S	ESPI	CTA-307	2021/08/06	2022/08/05
EMI Test Receiver	R&S	ESCI	CTA-306	2021/08/06	2022/08/05
Spectrum Analyzer	Agilent	N9020A	CTA-301	2021/08/06	2022/08/05
Spectrum Analyzer	R&S	FSP	CTA-337	2021/08/06	2022/08/05
Vector Signal generator	Agilent	N5182A	CTA-305	2021/08/06	2022/08/05
Analog Signal Generator	R&S	SML03	CTA-304	2021/08/06	2022/08/05
Universal Radio Communication	CMW500	R&S	CTA-302	2021/08/06	2022/08/05
Temperature and humidity meter	Chigo	ZG-7020	CTA-326	2021/08/06	2022/08/05
Ultra-Broadband Antenna	Schwarzbeck	VULB9163	CTA-310	2021/08/07	2022/08/06
Horn Antenna	Schwarzbeck	BBHA 9120D	CTA-309	2021/08/07	2022/08/06
Loop Antenna	Zhinan	ZN30900C	CTA-311	2021/08/07	2022/08/06
Horn Antenna	Beijing Hangwei Dayang	OBH100400	CTA-336	2021/08/06	2022/08/05
Amplifier	Schwarzbeck	BBV 9745	CTA-312	2021/08/06	2022/08/05
Amplifier	Taiwan chengyi	EMC051845B	CTA-313	2021/08/06	2022/08/05
Directional coupler	NARDA	4226-10	CTA-303	2021/08/06	2022/08/05

High-Pass Filter	XingBo	XBLBQ-GTA18	CTA-402	2021/08/06	2022/08/05
High-Pass Filter	XingBo	XBLBQ-GTA27	CTA-403	2021/08/06	2022/08/05
Automated filter bank	Tonscend	JS0806-F	CTA-404	2021/08/06	2022/08/05
Power Sensor	Agilent	U2021XA	CTA-405	2021/08/06	2022/08/05
Amplifier	Schwarzbeck	BBV9719	CTA-406	2021/08/06	2022/08/05

## 2.5 Related Submittal(s) / Grant (s)

This submittal(s) (test report) is intended for FCC ID: **2AJYU-8MH0011** filing to comply with of the FCC Part 24 Rules.

## 2.6 Modifications

No modifications were implemented to meet testing criteria.



### 3 TEST CONDITIONS AND RESULTS

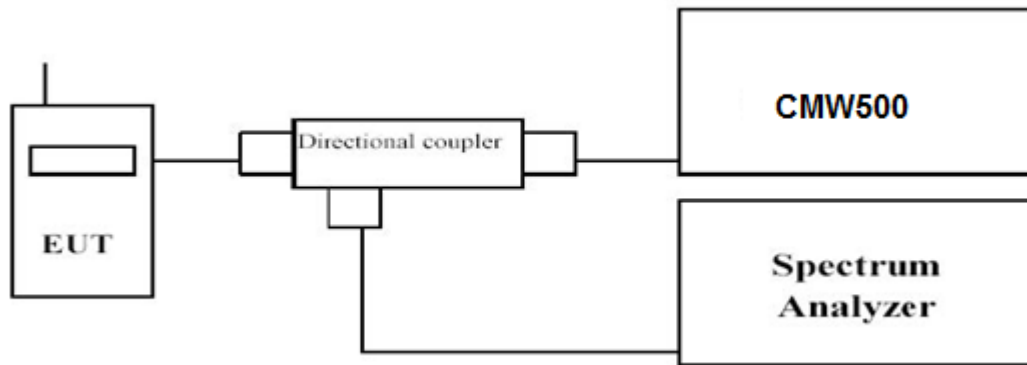
#### 3.1 Output Power

##### LIMIT

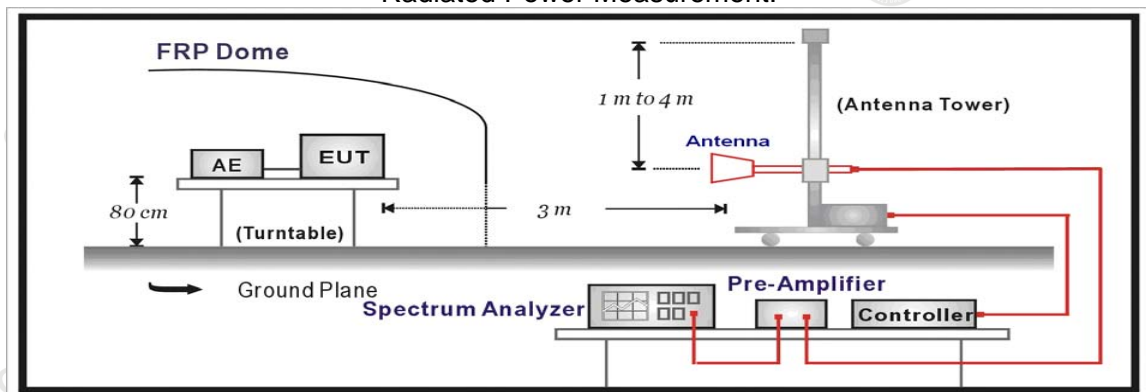
Rule Part 24.232(b) specifies, "Mobile/portable stations are limited to 2 watts e.i.r.p.

##### TEST CONFIGURATION

###### Conducted Power Measurement



###### Radiated Power Measurement:



##### TEST PROCEDURE

The EUT was setup according to EIA/TIA 603D

###### **Conducted Power Measurement:**

- Place the EUT on a bench and set it in transmitting mode.
- Connect a low loss RF cable from the antenna port to a spectrum analyzer and CMW500 by a Directional Couple.
- EUT Communicate with CMW500 then selects a channel for testing.
- Add a correction factor to the display of spectrum, and then test.

###### **Radiated Power Measurement:**

- The EUT shall be placed at the specified height on a support, and in the position closest to normal use as declared by provider.
- The test antenna shall be oriented initially for vertical polarization and shall be chosen to correspond to the frequency of the transmitter
- The output of the test antenna shall be connected to the measuring receiver.
- The transmitter shall be switched on and the measuring receiver shall be tuned to the frequency of the transmitter under test.
- The test antenna shall be raised and lowered through the specified range of height until a maximum signal level is detected by the measuring receiver.

- f) The transmitter shall then be rotated through 360° in the horizontal plane, until the maximum signal level is detected by the measuring receiver.
- g) The test antenna shall be raised and lowered again through the specified range of height until a maximum signal level is detected by the measuring receiver.
- h) The maximum signal level detected by the measuring receiver shall be noted.
- i) The transmitter shall be replaced by a substitution antenna.
- j) The substitution antenna shall be orientated for vertical polarization and the length of the substitution antenna shall be adjusted to correspond to the frequency of the transmitter.
- k) The substitution antenna shall be connected to a calibrated signal generator.
- l) If necessary, the input attenuator setting of the measuring receiver shall be adjusted in order to increase the sensitivity of the measuring receiver.
- m) The test antenna shall be raised and lowered through the specified range of height to ensure that the maximum signal is received.
- n) The input signal to the substitution antenna shall be adjusted to the level that produces a level detected by the measuring receiver, that is equal to the level noted while the transmitter radiated power was measured, corrected for the change of input attenuator setting of the measuring receiver.
- o) The measurement shall be repeated with the test antenna and the substitution antenna orientated for horizontal polarization.
- p) The measure of the effective radiated power is the larger of the two levels recorded at the input to the substitution antenna, corrected for gain of the substitution antenna if necessary.
- q) Test site anechoic chamber refer to ANSI C63.4.

**TEST RESULTS**

**Conducted Measurement:**

LTE FDD Band 25				
TX Channel Bandwidth	Frequency (MHz)	RB Size/Offset	Average Power [dBm]	
			QPSK	16QAM
1.4 MHz	1850.7	1 RB low	23.23	22.06
		1 RB Mid	22.83	21.84
		1 RB high	23.28	22.32
		50% RB Low	23.33	22.19
		50% RB mid	22.63	21.67
		50% RB high	22.75	21.79
		100% RB	21.66	20.56
	1882.5	1 RB low	23.15	22.18
		1 RB Mid	23.24	22.09
		1 RB high	22.91	21.91
		50% RB Low	23.09	22.08
		50% RB mid	23.27	22.20
		50% RB high	22.91	21.85
		100% RB	23.02	21.93
	1914.3	1 RB low	22.82	21.69
		1 RB Mid	23.06	22.00
		1 RB high	23.13	22.00
		50% RB Low	22.51	21.41
		50% RB mid	22.85	21.74
		50% RB high	22.99	21.87
		100% RB	21.60	20.49
3 MHz	1851.5	1 RB low	22.97	21.86
		1 RB Mid	22.88	21.87
		1 RB high	22.97	21.81
		50% RB Low	23.14	22.12
		50% RB mid	22.74	21.78
		50% RB high	23.71	22.53
		100% RB	22.15	21.18
	1882.5	1 RB low	22.67	21.58
		1 RB Mid	23.08	21.94
		1 RB high	22.80	21.69
		50% RB Low	22.80	21.73
		50% RB mid	23.17	22.20
		50% RB high	22.58	21.59
		100% RB	21.94	20.91
	1913.5	1 RB low	23.84	22.78
		1 RB Mid	22.98	21.81
		1 RB high	23.00	21.83
		50% RB Low	23.39	22.27
		50% RB mid	23.14	22.08
		50% RB high	23.08	21.98
		100% RB	21.49	20.35
5 MHz	1852.5	1 RB low	23.06	22.07
		1 RB Mid	22.68	21.56
		1 RB high	23.45	22.26
		50% RB Low	22.94	21.76
		50% RB mid	22.52	21.52
		50% RB high	22.77	21.58
	100% RB	21.72	20.55	
	1882.5	1 RB low	22.99	21.85
		1 RB Mid	23.77	22.60

	1912.5	1 RB high	23.04	21.88
		50% RB Low	23.30	22.23
		50% RB mid	23.15	21.99
		50% RB high	22.77	21.72
		100% RB	22.12	21.14
		1 RB low	23.38	22.27
		1 RB Mid	23.39	22.41
		1 RB high	23.49	22.48
		50% RB Low	22.79	21.72
		50% RB mid	23.24	22.07
		50% RB high	23.01	21.93
		100% RB	21.66	20.57
		10 MHz	1855.0	1 RB low
1 RB Mid	23.17			22.03
1 RB high	23.06			22.04
50% RB Low	22.79			21.69
50% RB mid	23.03			21.97
50% RB high	22.64			21.63
100% RB	21.88			20.81
1882.5	1 RB low		23.50	22.49
	1 RB Mid		24.25	23.09
	1 RB high		23.20	22.17
	50% RB Low		24.01	22.98
	50% RB mid		24.09	23.05
	50% RB high		23.44	22.35
1910.0	100% RB		22.76	21.65
	1 RB low		23.69	22.70
	1 RB Mid		22.60	21.53
	1 RB high		23.88	22.73
	50% RB Low		23.51	22.52
	50% RB mid	23.24	22.27	
	50% RB high	23.34	22.18	
15 MHz	1857.5	100% RB	22.17	21.06
		1 RB low	23.40	22.41
		1 RB Mid	23.50	22.53
		1 RB high	23.25	22.26
		50% RB Low	23.61	22.59
		50% RB mid	23.81	22.77
		50% RB high	23.45	22.45
	1882.5	100% RB	22.69	21.51
		1 RB low	22.71	21.70
		1 RB Mid	23.29	22.15
		1 RB high	22.65	21.52
		50% RB Low	23.08	21.96
		50% RB mid	22.81	21.72
		50% RB high	22.93	21.80
	1907.5	100% RB	22.19	21.14
		1 RB low	22.93	21.76
		1 RB Mid	23.03	21.97
		1 RB high	23.57	22.52
50% RB Low		22.92	21.89	
50% RB mid		23.56	22.50	
20 MHz	1860.0	50% RB high	23.60	22.42
		100% RB	21.99	20.94
		1 RB low	23.73	22.54
		1 RB Mid	23.30	22.31
		1 RB high	23.50	22.45

		50% RB Low	23.85	22.69
		50% RB mid	23.35	22.34
		50% RB high	23.67	22.70
		100% RB	22.43	21.24
	1882.5	1 RB low	22.88	21.86
		1 RB Mid	23.45	22.34
		1 RB high	22.75	21.69
		50% RB Low	23.73	22.61
		50% RB mid	23.61	22.46
		50% RB high	22.69	21.62
		100% RB	22.28	21.23
	1905.0	1 RB low	22.74	21.58
		1 RB Mid	23.20	22.10
		1 RB high	23.50	22.32
		50% RB Low	22.99	21.87
		50% RB mid	23.39	22.25
		50% RB high	23.28	22.20
		100% RB	22.19	21.16

**Radiated Measurement:**

Remark:

1. We were tested all RB Configuration refer 3GPP TS136 521 for each Channel Bandwidth of LTE FDD Band 25; recorded worst case for each Channel Bandwidth of LTE FDD Band 25.
2.  $EIRP = P_{Mea}(dBm) - P_{cl}(dB) + P_{Ag}(dB) + G_a(dBi)$

LTE FDD Band 25\_Channel Bandwidth 1.4MHz\_QPSK

Frequency (MHz)	P <sub>Mea</sub> (dBm)	P <sub>cl</sub> (dB)	G <sub>a</sub> Antenna Gain(dB)	P <sub>Ag</sub> (dB)	EIRP (dBm)	Limit (dBm)	Margin (dB)	Polarization
1850.7	-20.71	3.41	10.24	33.6	19.72	33.01	-13.29	H
1882.5	-19.14	3.49	10.24	33.6	21.21	33.01	-11.80	H
1914.3	-22.07	3.55	10.23	33.6	18.21	33.01	-14.80	H

LTE FDD Band 25\_Channel Bandwidth 3MHz\_QPSK

Frequency (MHz)	P <sub>Mea</sub> (dBm)	P <sub>cl</sub> (dB)	G <sub>a</sub> Antenna Gain(dB)	P <sub>Ag</sub> (dB)	EIRP (dBm)	Limit (dBm)	Margin (dB)	Polarization
1851.5	-20.54	3.41	10.24	33.6	19.89	33.01	-13.12	H
1882.5	-20.69	3.49	10.24	33.6	19.66	33.01	-13.35	H
1913.5	-21.28	3.55	10.23	33.6	19.00	33.01	-14.01	H

LTE FDD Band 25\_Channel Bandwidth 5MHz\_QPSK

Frequency (MHz)	P <sub>Mea</sub> (dBm)	P <sub>cl</sub> (dB)	G <sub>a</sub> Antenna Gain(dB)	P <sub>Ag</sub> (dB)	EIRP (dBm)	Limit (dBm)	Margin (dB)	Polarization
1852.5	-20.50	3.41	10.24	33.6	19.93	33.01	-13.08	H
1882.5	-20.39	3.49	10.24	33.6	19.96	33.01	-13.05	H
1912.5	-22.45	3.55	10.23	33.6	17.83	33.01	-15.18	H

LTE FDD Band 25\_Channel Bandwidth 10MHz\_QPSK

Frequency (MHz)	P <sub>Mea</sub> (dBm)	P <sub>cl</sub> (dB)	G <sub>a</sub> Antenna Gain(dB)	P <sub>Ag</sub> (dB)	EIRP (dBm)	Limit (dBm)	Margin (dB)	Polarization
1855.0	-21.33	3.41	10.24	33.6	19.10	33.01	-13.91	H
1882.5	-20.57	3.49	10.24	33.6	19.78	33.01	-13.23	H
1910.0	-22.01	3.55	10.23	33.6	18.27	33.01	-14.74	H

LTE FDD Band 25\_Channel Bandwidth 15MHz\_QPSK

Frequency (MHz)	P <sub>Mea</sub> (dBm)	P <sub>cl</sub> (dB)	G <sub>a</sub> Antenna Gain(dB)	P <sub>Ag</sub> (dB)	EIRP (dBm)	Limit (dBm)	Margin (dB)	Polarization
1857.5	-21.03	3.41	10.24	33.6	19.40	33.01	-13.61	H
1882.5	-20.93	3.49	10.24	33.6	19.42	33.01	-13.59	H
1907.5	-21.08	3.55	10.23	33.6	19.20	33.01	-13.81	H

LTE FDD Band 25\_Channel Bandwidth 20MHz\_QPSK

Frequency (MHz)	P <sub>Mea</sub> (dBm)	P <sub>cl</sub> (dB)	G <sub>a</sub> Antenna Gain(dB)	P <sub>Ag</sub> (dB)	EIRP (dBm)	Limit (dBm)	Margin (dB)	Polarization
1860.0	-20.58	3.41	10.24	33.6	19.85	33.01	-13.16	H
1882.5	-20.21	3.49	10.24	33.6	20.14	33.01	-12.87	H
1905.0	-21.26	3.55	10.23	33.6	19.02	33.01	-13.99	H



*LTE FDD Band 25\_Channel Bandwidth 1.4MHz\_16QAM*

Frequency (MHz)	P <sub>Mea</sub> (dBm)	P <sub>cl</sub> (dB)	G <sub>a</sub> Antenna Gain(dB)	P <sub>Ag</sub> (dB)	EIRP (dBm)	Limit (dBm)	Margin (dB)	Polarization
1850.7	-20.40	3.41	10.24	33.6	20.03	33.01	-12.98	H
1880.0	-20.12	3.49	10.24	33.6	20.23	33.01	-12.78	H
1909.3	-21.16	3.55	10.23	33.6	19.12	33.01	-13.89	H

*LTE FDD Band 25\_Channel Bandwidth 3MHz\_16QAM*

Frequency (MHz)	P <sub>Mea</sub> (dBm)	P <sub>cl</sub> (dB)	G <sub>a</sub> Antenna Gain(dB)	P <sub>Ag</sub> (dB)	EIRP (dBm)	Limit (dBm)	Margin (dB)	Polarization
1851.5	-23.51	3.41	10.24	33.6	16.92	33.01	-16.09	H
1880.0	-22.15	3.49	10.24	33.6	18.20	33.01	-14.81	H
1908.5	-22.56	3.55	10.23	33.6	17.72	33.01	-15.29	H

*LTE FDD Band 25\_Channel Bandwidth 5MHz\_16QAM*

Frequency (MHz)	P <sub>Mea</sub> (dBm)	P <sub>cl</sub> (dB)	G <sub>a</sub> Antenna Gain(dB)	P <sub>Ag</sub> (dB)	EIRP (dBm)	Limit (dBm)	Margin (dB)	Polarization
1852.5	-22.74	3.41	10.24	33.6	17.69	33.01	-15.32	H
1880.0	-22.54	3.49	10.24	33.6	17.81	33.01	-15.20	H
1907.5	-23.60	3.55	10.23	33.6	16.68	33.01	-16.33	H

*LTE FDD Band 25\_Channel Bandwidth 10MHz\_16QAM*

Frequency (MHz)	P <sub>Mea</sub> (dBm)	P <sub>cl</sub> (dB)	G <sub>a</sub> Antenna Gain(dB)	P <sub>Ag</sub> (dB)	EIRP (dBm)	Limit (dBm)	Margin (dB)	Polarization
1855.0	-22.59	3.41	10.24	33.6	17.84	33.01	-15.17	H
1880.0	-21.75	3.49	10.24	33.6	18.60	33.01	-14.41	H
1905.0	-22.87	3.55	10.23	33.6	17.41	33.01	-15.60	H

*LTE FDD Band 25\_Channel Bandwidth 15MHz\_16QAM*

Frequency (MHz)	P <sub>Mea</sub> (dBm)	P <sub>cl</sub> (dB)	G <sub>a</sub> Antenna Gain(dB)	P <sub>Ag</sub> (dB)	EIRP (dBm)	Limit (dBm)	Margin (dB)	Polarization
1857.5	-22.58	3.41	10.24	33.6	17.85	33.01	-15.16	H
1880.0	-21.57	3.49	10.24	33.6	18.78	33.01	-14.23	H
1902.5	-22.91	3.55	10.23	33.6	17.37	33.01	-15.64	H

*LTE FDD Band 25\_Channel Bandwidth 20MHz\_16QAM*

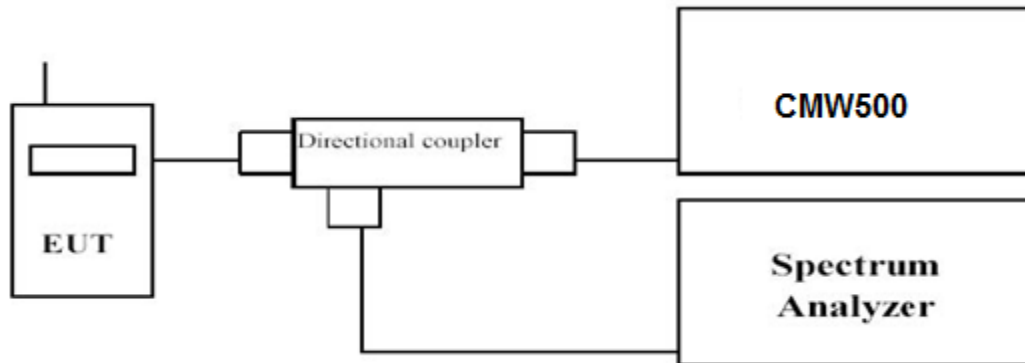
Frequency (MHz)	P <sub>Mea</sub> (dBm)	P <sub>cl</sub> (dB)	G <sub>a</sub> Antenna Gain(dB)	P <sub>Ag</sub> (dB)	EIRP (dBm)	Limit (dBm)	Margin (dB)	Polarization
1860.0	-22.47	3.41	10.24	33.6	17.96	33.01	-15.05	H
1880.0	-21.47	3.49	10.24	33.6	18.88	33.01	-14.13	H
1900.0	-22.88	3.55	10.23	33.6	17.40	33.01	-15.61	H

### 3.2 Peak-to-Average Ratio (PAR)

#### LIMIT

The Peak-to-Average Ratio (PAR) of the transmission may not exceed 13 dB.

#### TEST CONFIGURATION



#### TEST PROCEDURE

1. Refer to instrument's analyzer instruction manual for details on how to use the power statistics/CCDF function;
2. Set resolution/measurement bandwidth  $\geq$  signal's occupied bandwidth;
3. Set the number of counts to a value that stabilizes the measured CCDF curve;
4. Set the measurement interval as follows:
  - 1). for continuous transmissions, set to 1 ms,
  - 2). for burst transmissions, employ an external trigger that is synchronized with the EUT burst timing sequence, or use the internal burst trigger with a trigger level that allows the burst to stabilize and set the measurement interval to a time that is less than or equal to the burst duration.
5. Record the maximum PAPR level associated with a probability of 0.1%.

#### TEST RESULTS

-----Passed-----

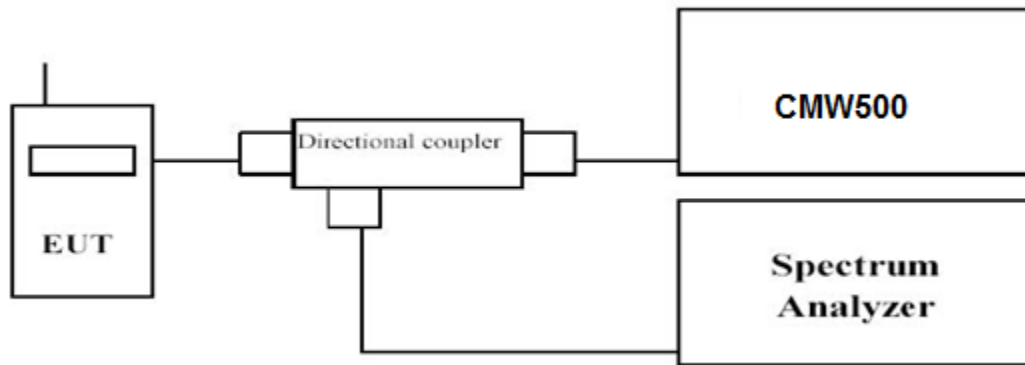
Please refer to the appendix test data.

### 3.3 Occupied Bandwidth and Emission Bandwidth

#### LIMIT

N/A

#### TEST CONFIGURATION



#### TEST PROCEDURE

The transmitter output was connected to a calibrated coaxial cable and coupler, the other end of which was connected to a spectrum analyzer. The occupied bandwidth was measured with the spectrum analyzer at low, middle and high channel in each band. The -26dBc Emission bandwidth was also measured and recorded.

Set RBW was set to about 1% of emission BW,  $VBW \geq 3$  times RBW.

-26dBc display line was placed on the screen (or 99% bandwidth), the occupied bandwidth is the delta frequency between the two points where the display line intersects the signal trace.

#### TEST RESULTS

-----Passed-----

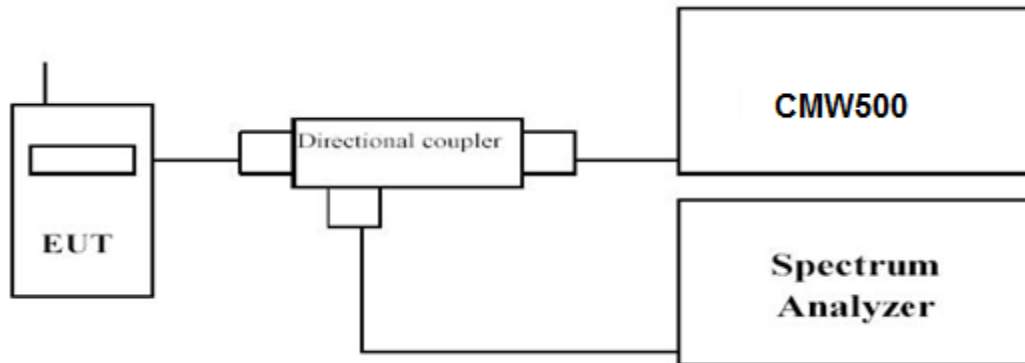
Please refer to the appendix test data.

### 3.4 Band Edge compliance

#### LIMIT

Per FCC §24.238 the power of any emission outside of the authorized operating frequency ranges must be attenuated below the transmitting power (P) by a factor of at least  $43 + 10\log(P)$  dB.

#### TEST CONFIGURATION



#### TEST PROCEDURE

1. The transmitter output port was connected to base station.
2. The RF output of EUT was connected to the power meter by RF cable and attenuator, the path loss was compensated to the results for each measurement.
3. Set EUT at maximum power through base station.
4. Select lowest and highest channels for each band and different modulation.
5. Measure Band edge using RMS (Average) detector by spectrum

#### TEST RESULTS

-----Passed-----

Please refer to the appendix test data.

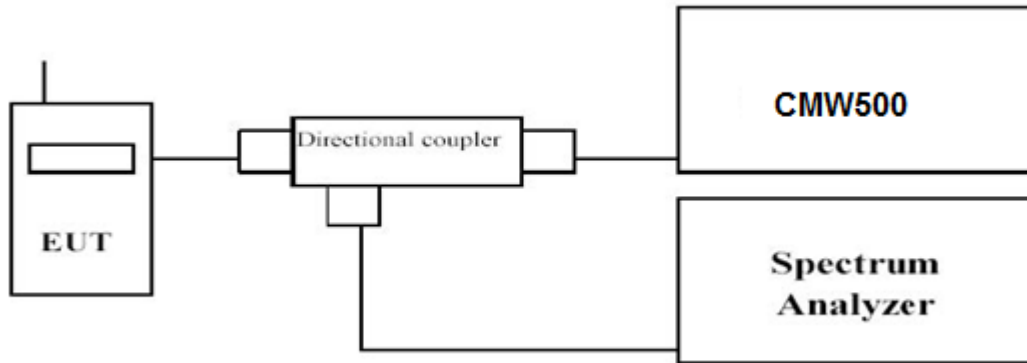
### 3.5 Spurious Emission

#### LIMIT

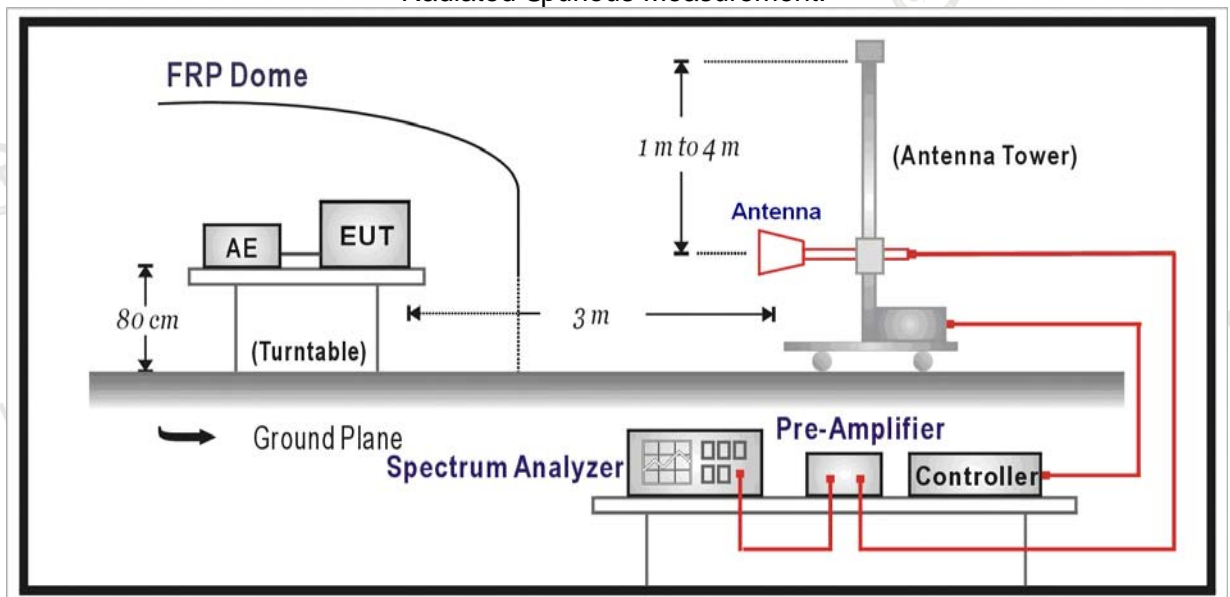
Per FCC §24.238, the power of any emission outside of the authorized operating frequency ranges must be attenuated below the transmitting power (P) by a factor of at least  $43 + 10\log(P)$  dB.

#### TEST CONFIGURATION

Conducted Spurious Measurement:



Radiated Spurious Measurement:



#### TEST PROCEDURE

The EUT was setup according to EIA/TIA 603D

##### **Conducted Spurious Measurement:**

- Place the EUT on a bench and set it in transmitting mode.
- Connect a low loss RF cable from the antenna port to a spectrum analyzer and CMW500 by a Directional Coupler.
- EUT Communicate with CMW500 then selects a channel for testing.
- Add a correction factor to the display of spectrum, and then test.
- The resolution bandwidth of the spectrum analyzer was set sufficient scans were taken to show the out of band Emission if any up to 10th harmonic.

**Radiated Spurious Measurement:**

- a. The EUT shall be placed at the specified height on a support, and in the position closest to normal use as declared by provider.
- b. The test antenna shall be oriented initially for vertical polarization and shall be chosen to correspond to the frequency of the transmitter
- c. The output of the test antenna shall be connected to the measuring receiver.
- d. The transmitter shall be switched on and the measuring receiver shall be tuned to the frequency of the transmitter under test.
- e. The test antenna shall be raised and lowered through the specified range of height until a maximum signal level is detected by the measuring receiver.
- f. The transmitter shall then be rotated through 360° in the horizontal plane, until the maximum signal level is detected by the measuring receiver.
- g. The test antenna shall be raised and lowered again through the specified range of height until a maximum signal level is detected by the measuring receiver.
- h. The maximum signal level detected by the measuring receiver shall be noted.
- i. The transmitter shall be replaced by a substitution antenna.
- j. The substitution antenna shall be orientated for vertical polarization and the length of the substitution antenna shall be adjusted to correspond to the frequency of the transmitter.
- k. The substitution antenna shall be connected to a calibrated signal generator.
- l. If necessary, the input attenuator setting of the measuring receiver shall be adjusted in order to increase the sensitivity of the measuring receiver.
- m. The test antenna shall be raised and lowered through the specified range of height to ensure that the maximum signal is received.
- n. The input signal to the substitution antenna shall be adjusted to the level that produces a level detected by the measuring receiver, that is equal to the level noted while the transmitter radiated power was measured, corrected for the change of input attenuator setting of the measuring receiver.
- o. The measurement shall be repeated with the test antenna and the substitution antenna orientated for horizontal polarization.
- p. The measure of the effective radiated power is the larger of the two levels recorded at the input to the substitution antenna, corrected for gain of the substitution antenna if necessary.
- q. The resolution bandwidth of the spectrum analyzer was set at 100 kHz for Part 22 and 1MHz for Part 24. The frequency range was checked up to 10th harmonic.
- r. Test site anechoic chamber refer to ANSI C63.

**TEST RESULTS**



**Conducted Measurement:**

-----Passed-----

Please refer to the appendix test data.

**Radiated Measurement:***Remark:*

1. We were tested all RB Configuration refer 3GPP TS136 521 for each Channel Bandwidth of LTE FDD Band 25;

*LTE FDD Band 25\_Channel Bandwidth 20MHz\_QPSK\_Low Channel*

Frequency (MHz)	P <sub>Mea</sub> (dBm)	P <sub>cl</sub> (dB)	Diatance	G <sub>a</sub> Antenna Gain(dB)	Peak EIRP (dBm)	Limit (dBm)	Margin (dB)	Polarization
156.56	-46.06	3.86	3.00	8.36	-41.56	-13.00	-28.56	H
241.20	-46.04	4.31	3.00	7.11	-43.24	-13.00	-30.24	H
553.00	-41.58	4.01	3.00	8.58	-37.01	-13.00	-24.01	V
898.26	-43.32	4.13	3.00	7.11	-40.34	-13.00	-27.34	V

*LTE FDD Band 25\_Channel Bandwidth 20MHz\_QPSK\_Middle Channel*

Frequency (MHz)	P <sub>Mea</sub> (dBm)	P <sub>cl</sub> (dB)	Diatance	G <sub>a</sub> Antenna Gain(dB)	Peak EIRP (dBm)	Limit (dBm)	Margin (dB)	Polarization
154.42	-46.27	3.86	3.00	8.36	-41.77	-13.00	-28.77	H
239.06	-46.62	4.31	3.00	7.11	-43.82	-13.00	-30.82	H
554.94	-42.76	4.01	3.00	8.58	-38.19	-13.00	-25.19	V
902.25	-44.69	4.13	3.00	7.11	-41.71	-13.00	-28.71	V

*LTE FDD Band 25\_Channel Bandwidth 20MHz\_QPSK\_High Channel*

Frequency (MHz)	P <sub>Mea</sub> (dBm)	P <sub>cl</sub> (dB)	Diatance	G <sub>a</sub> Antenna Gain(dB)	Peak EIRP (dBm)	Limit (dBm)	Margin (dB)	Polarization
151.03	-47.50	3.86	3.00	8.36	-43.00	-13.00	-30.00	H
239.33	-45.77	4.31	3.00	7.11	-42.97	-13.00	-29.97	H
555.63	-44.15	4.01	3.00	8.58	-39.58	-13.00	-26.58	V
900.21	-45.10	4.13	3.00	7.11	-42.12	-13.00	-29.12	V

**Notes:**

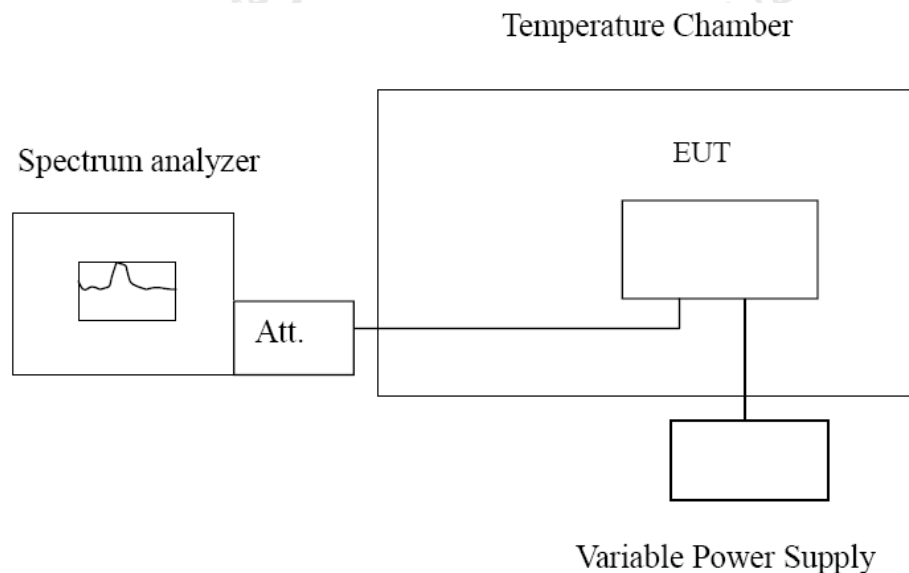
1. All channel bandwidth were tested, the report recorded the worst data.
2.  $EIRP = P_{Mea}(dBm) - P_{cl}(dB) + P_{Ag}(dB) + G_a(dBi)$
3.  $ERP = EIRP - 2.15dBi$  as EIRP by subtracting the gain of the dipole.
4.  $Margin = EIRP - Limit$
5. We measured all modes and only recorded the worst case.

### 3.6 Frequency Stability under Temperature & Voltage Variations

#### LIMIT

According to §24.235, §2.1055 requirement, the frequency stability shall be sufficient to ensure that the fundamental emissions stay within the authorized bands of operation and should not exceed 2.5ppm.

#### TEST CONFIGURATION



#### TEST PROCEDURE

The EUT was setup according to EIA/TIA 603D

##### **Frequency Stability under Temperature Variations:**

In order to measure the carrier frequency under the condition of AFC lock, it is necessary to make measurements with the EUT in a "call mode". This is accomplished with the use of R&S CMW500 DIGITAL RADIO COMMUNICATION TESTER.

1. Measure the carrier frequency at room temperature.
2. Subject the EUT to overnight soak at -30°C.
3. With the EUT, powered via nominal voltage, connected to the CMW500 and in a simulated call on middle channel for LTE band 2, measure the carrier frequency. These measurements should be made within 2 minutes of Powering up the EUT, to prevent significant self-warming.
4. Repeat the above measurements at 10°C increments from -30°C to +50°C. Allow at least 1.5 hours at each temperature, unpowered, before making measurements.
5. Re-measure carrier frequency at room temperature with nominal voltage. Vary supply voltage from minimum voltage to maximum voltage, in 0.1Volt increments re-measuring carrier frequency at each voltage. Pause at nominal voltage for 1.5 hours unpowered, to allow any self-heating to stabilize, before continuing.
6. Subject the EUT to overnight soak at +50°C.
7. With the EUT, powered via nominal voltage, connected to the CMW500 and in a simulated call on the centre channel, measure the carrier frequency. These measurements should be made within 2 minutes of Powering up the EUT, to prevent significant self-warming.
8. Repeat the above measurements at 10°C increments from +50°C to -30°C. Allow at least 1.5 hours at each temperature, unpowered, before making measurements
9. At all temperature levels hold the temperature to +/- 0.5°C during the measurement procedure.

##### **Frequency Stability under Voltage Variations:**

Set chamber temperature to 20°C. Use a variable AC power supply / DC power source to power the EUT and set the voltage to rated voltage. Set the spectrum analyzer RBW low enough to obtain the desired frequency resolution and recorded the frequency.

Reduce the input voltage to specify extreme voltage variation (±15%) and endpoint, record the

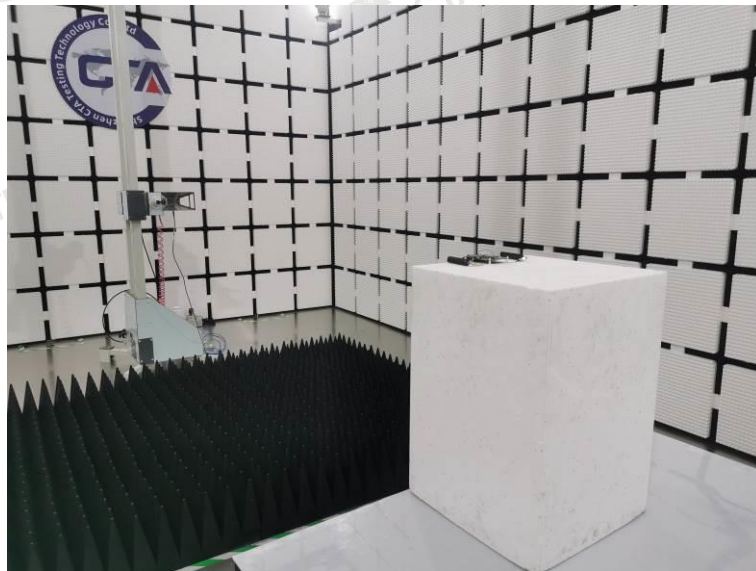
maximum frequency change.

**TEST RESULTS**

**-----Passed-----**

*Please refer to the appendix test data.*

#### 4 Test Setup Photos of the EUT



#### 5 Photos of the EUT

Reference to the test report No. CTA22051300301.

\*\*\*\*\* End of Report \*\*\*\*\*