

FEATURES

- Dual band Frequency
- Up to 90° flexibility
- RoHs Complaint

APPLICATIONS

- Cellular Communication
- Alarm systems

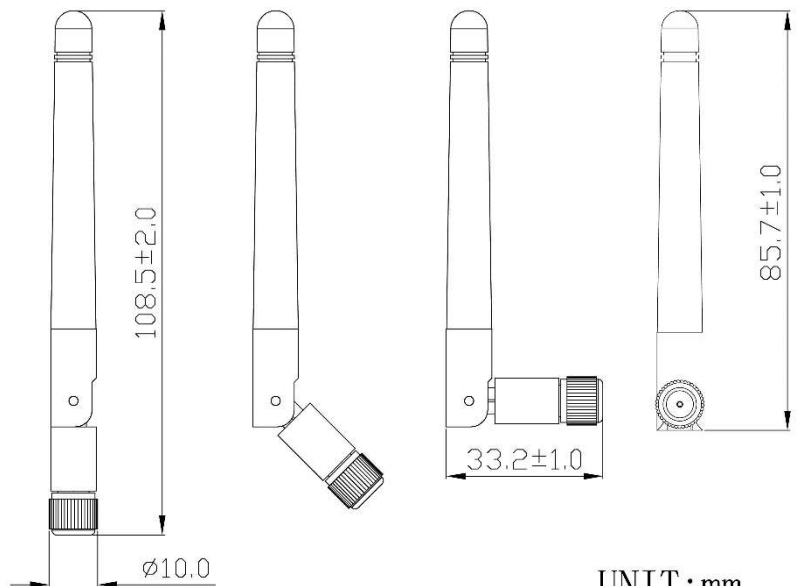


RoHS Compliant
includes all homogeneous materials
(see part numbering system for details)

SPECIFICATIONS

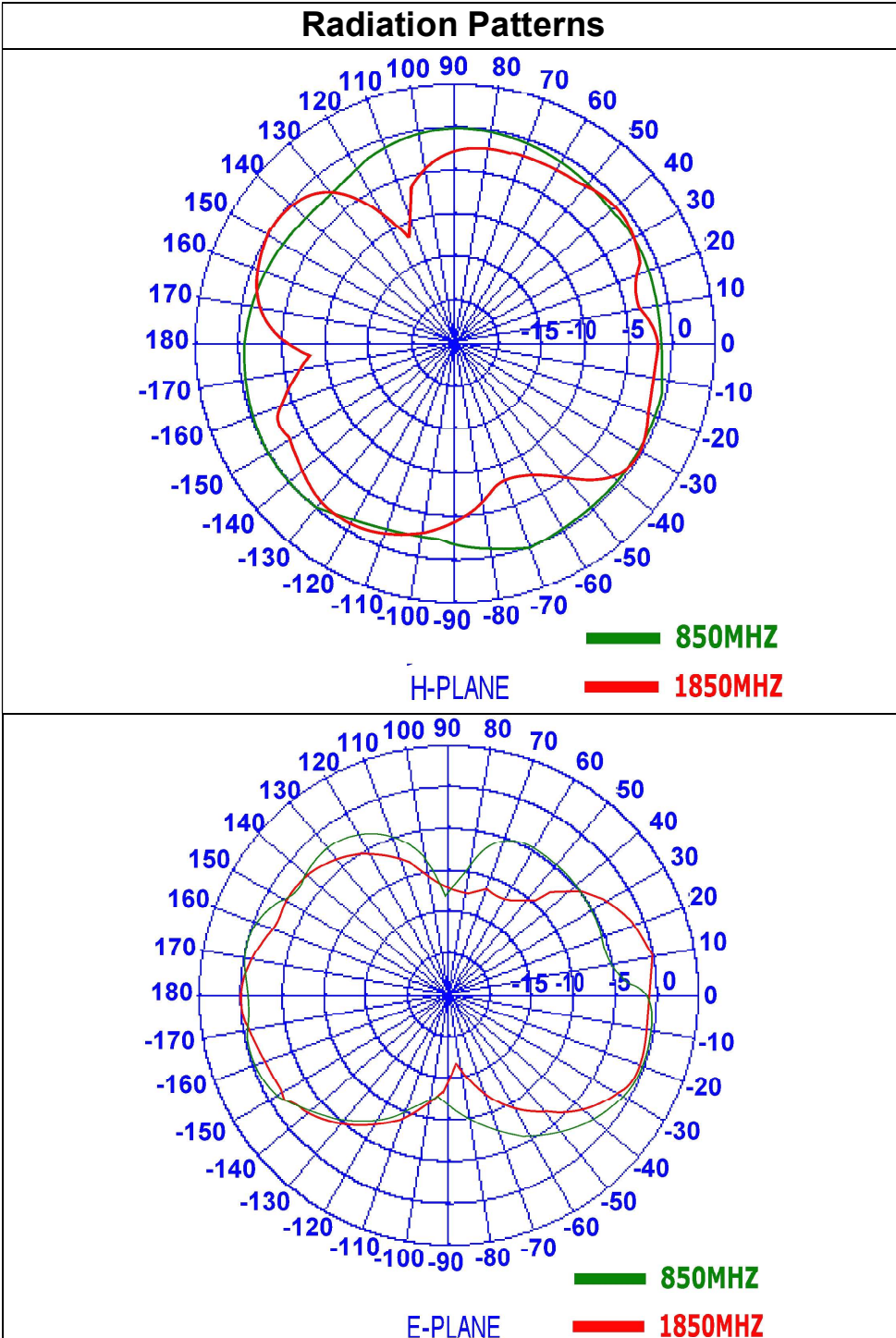
| | |
|-------------------------|--|
| Electrical | |
| Frequency Range | 824~894/1710~1990MHz or 880~960/1710~1990MHz |
| Polarization | Linear |
| Gain | 2 dBi (Zenith) |
| V.S.W.R | <2.5 |
| Impedance | 50Ω |
| Dimensions (mm): | |
| Body Length | 108.5 ± 2.0 |
| Diameter | 10.0 |
| Connection Type | RP-SMA |
| Material | Nickel Plated Connector |

NAN-E 108x10 B2 B R F
 F= RoHs compliant
 R= RP-SMA connector
 B = Revision Code (See Page 3)
 B2 =2 Band Frequencies
 108x10 = Size (108.5 mm x 10 mm)
 NAN-E = Series



UNIT : mm

| Environmental | |
|-----------------------|--|
| Operating Temperature | -40°C~+85°C |
| Vibration | 10 ~ 55Hz with 1.5mm Amplitude 2 Hours |
| RoHS Compliant | Yes |



Revision History and Status

| Revision | Date Issued | Details | Status |
|----------|-------------------------------|--------------------------------|-----------|
| A | Nov 4 th , 2020 | Initial Release | Supported |
| B | April 28 th , 2021 | Nickel Plated RP-SMA Connector | Supported |
| | | | |
| | | | |
| | | | |

- NIC Technical Support: tpmg@niccomp.com
- Compliance Support: rohs@niccomp.com

