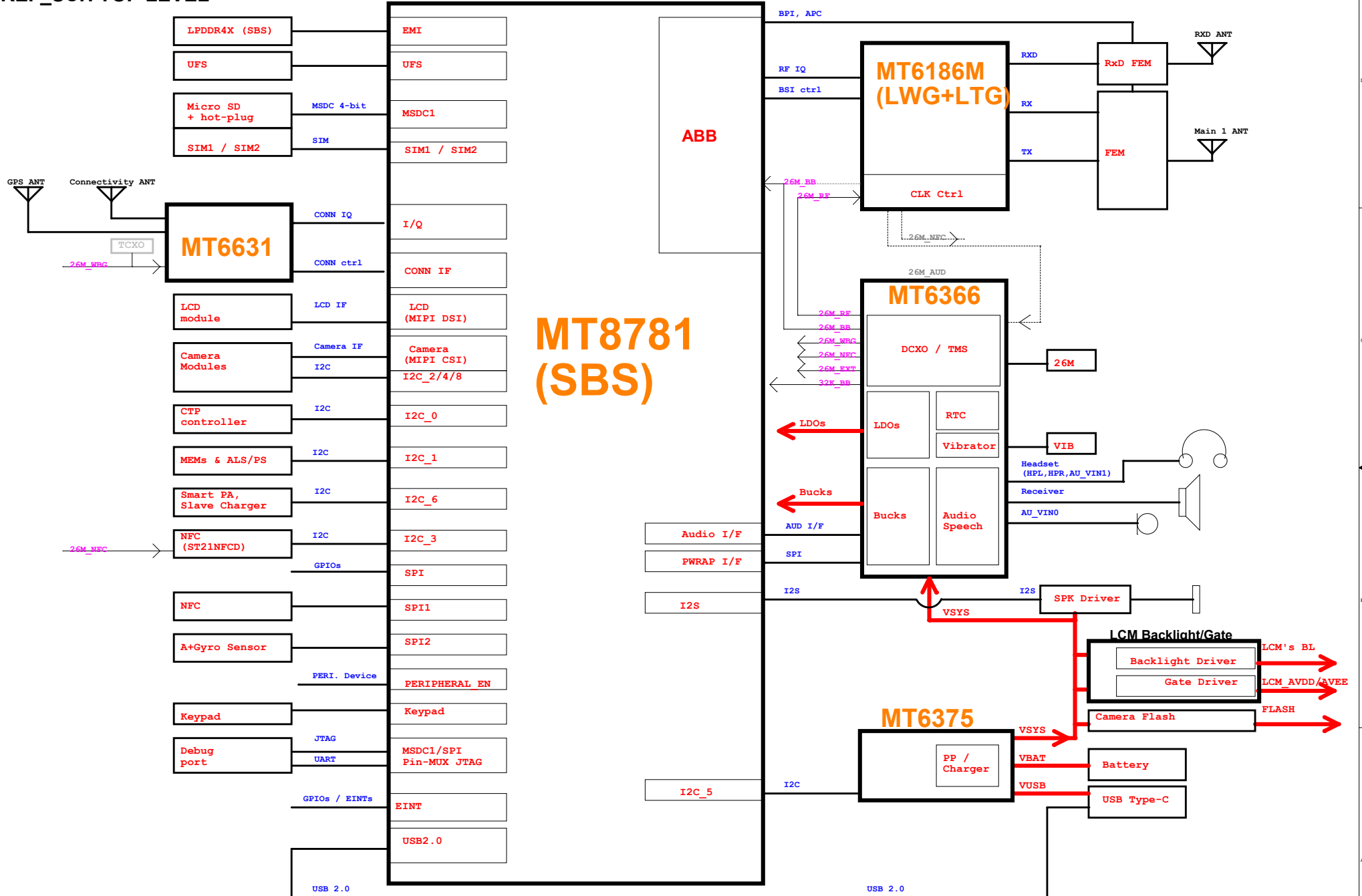
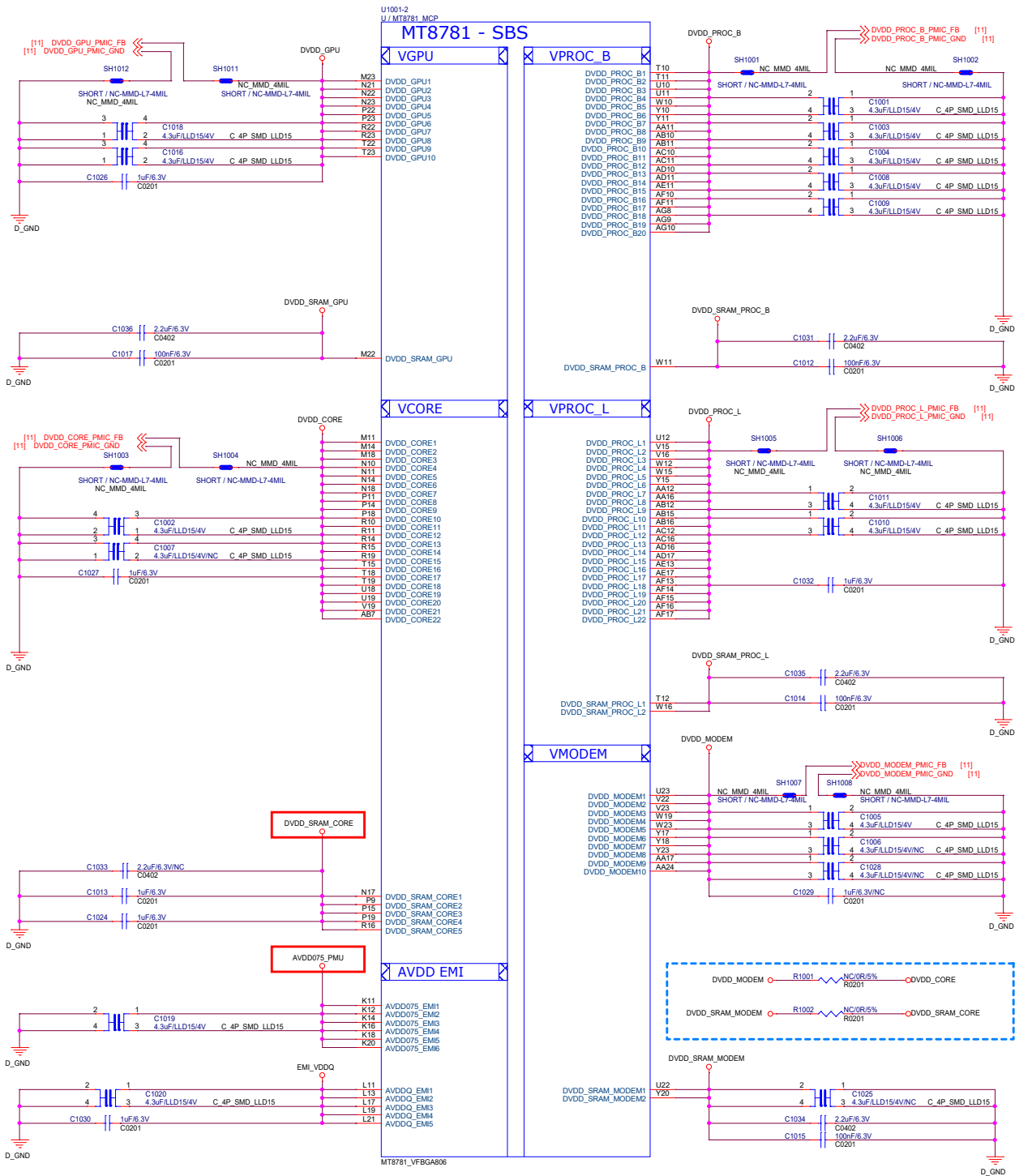


Project : MT8781, LPDDR4X (SBS)
REF_SCH TOP LEVEL

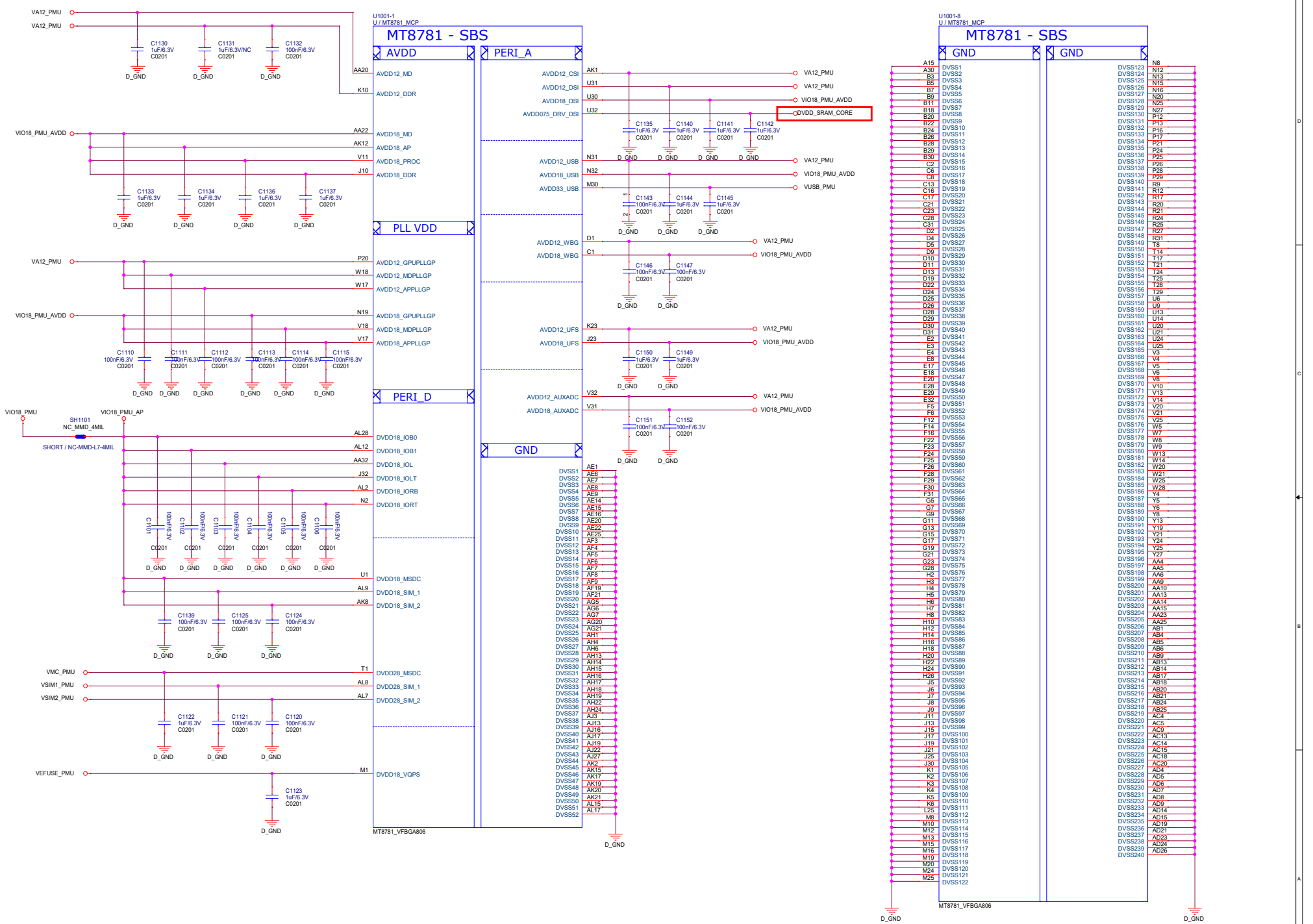


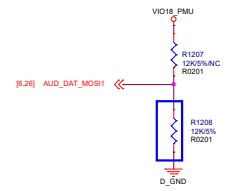
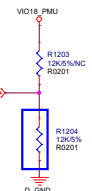
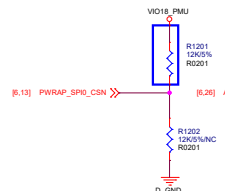
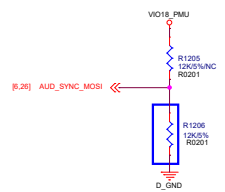
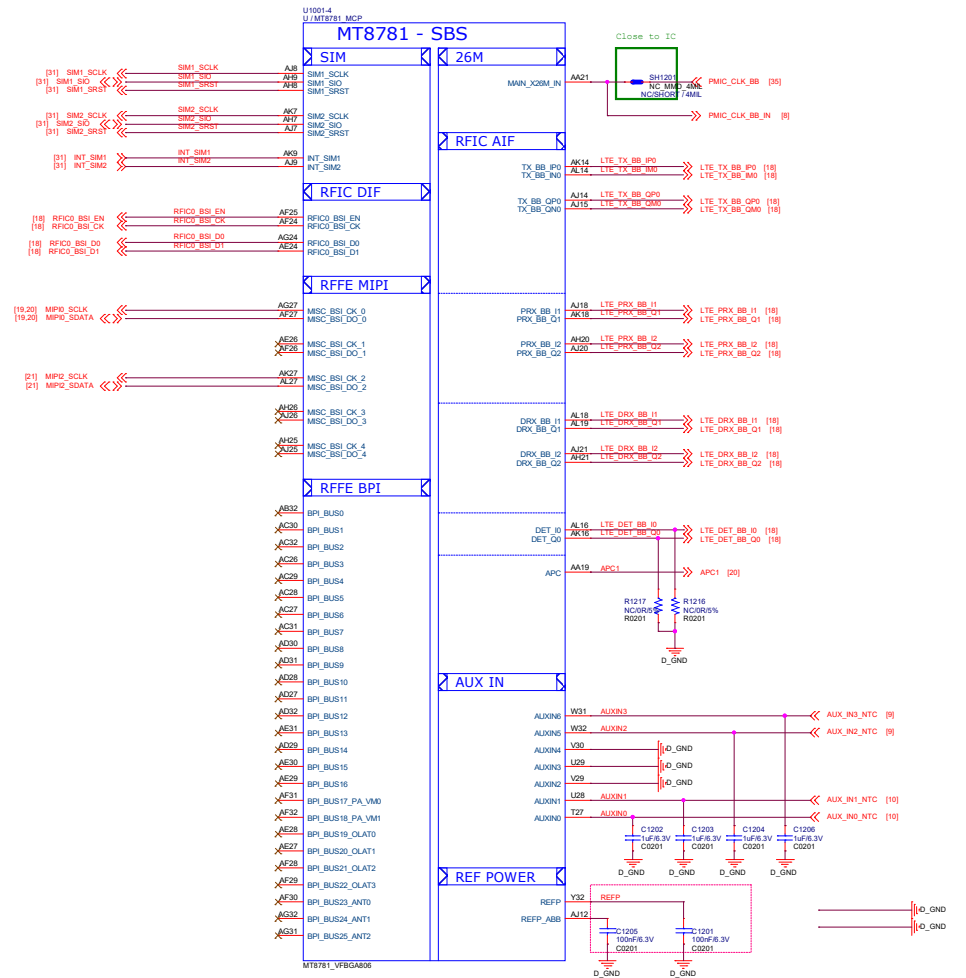
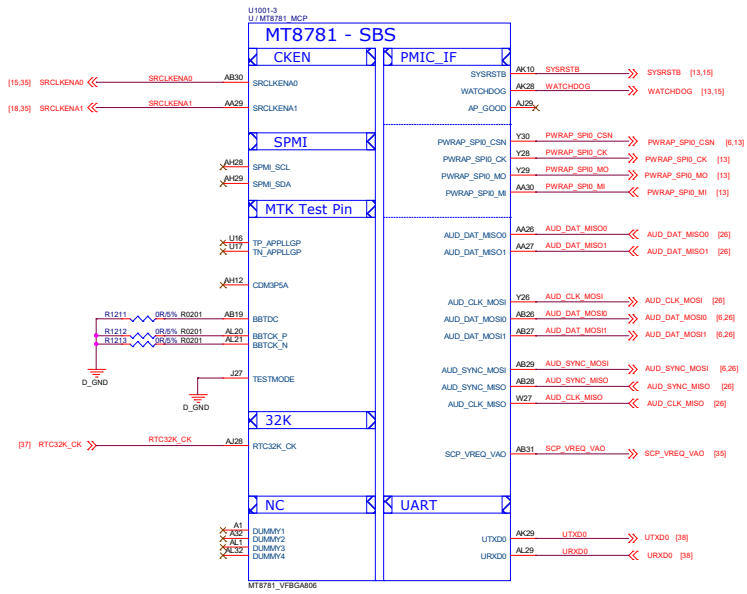
I2C	AP, SCP, SSPM	Function	I2C/I3C Spec.	I2C Slave Address (7-bit mode)
I2C-0	AP		I2C	
I2C-1 (I3C)	SCP	Accerometer	I3C	STK8BA58 I2C Address 7-bit: 0x18
		A+Gyro Sensor		SH3001 I2C Address 7-bit: 0x1B
		M Sensor		AK09918C / M-Sensor I2C Address 0x0C (Write: 0x18, Read: 0x19)
I2C-2 (I3C)	AP	WL2868C-20/TR	I3C	WL2868C CAMERA Power address: 0X2F
I2C-3	AP	USB&HP Switch Slave Charger	I2C	HL5280 I2C Address 7bit :0X42 RT9467 I2C Address 7bit :0X5B
		LCM Gate Driver		SGM3804 Gate LCM Driver I2C address: 0X3E
I2C-4 (I3C)	AP	Front Camera	I3C	Front camera: IMX576, I2C address: 0x1A (Write:0x34, Read:0x35)
I2C-5	AP	MT6375	I2C	
I2C-6	AP	Smart PA R	I2C	AW87559FCR Speaker AMP I2C Address: 0x58
		Smart PA L		AW87559FCR Speaker AMP I2C Address: 0x5B
		Slave Charger		RT9465 I2C Address 7bit :0X4B
		FLASH LED		AW36518 FLASH LED Driver I2C address: 0X63
I2C-7 (I3C)	AP	Reserved	I3C	
I2C-8 (I3C)	AP	Rear Camera - 1	I3C	Single -CAM: IMX586 / Wide camera, I2C address: 0x1A (Write:0x34, Read:0x35)
I2C-9 (I3C)	AP	ALS/PS Sensor	I3C	STK3331-A I2C address: 0X47

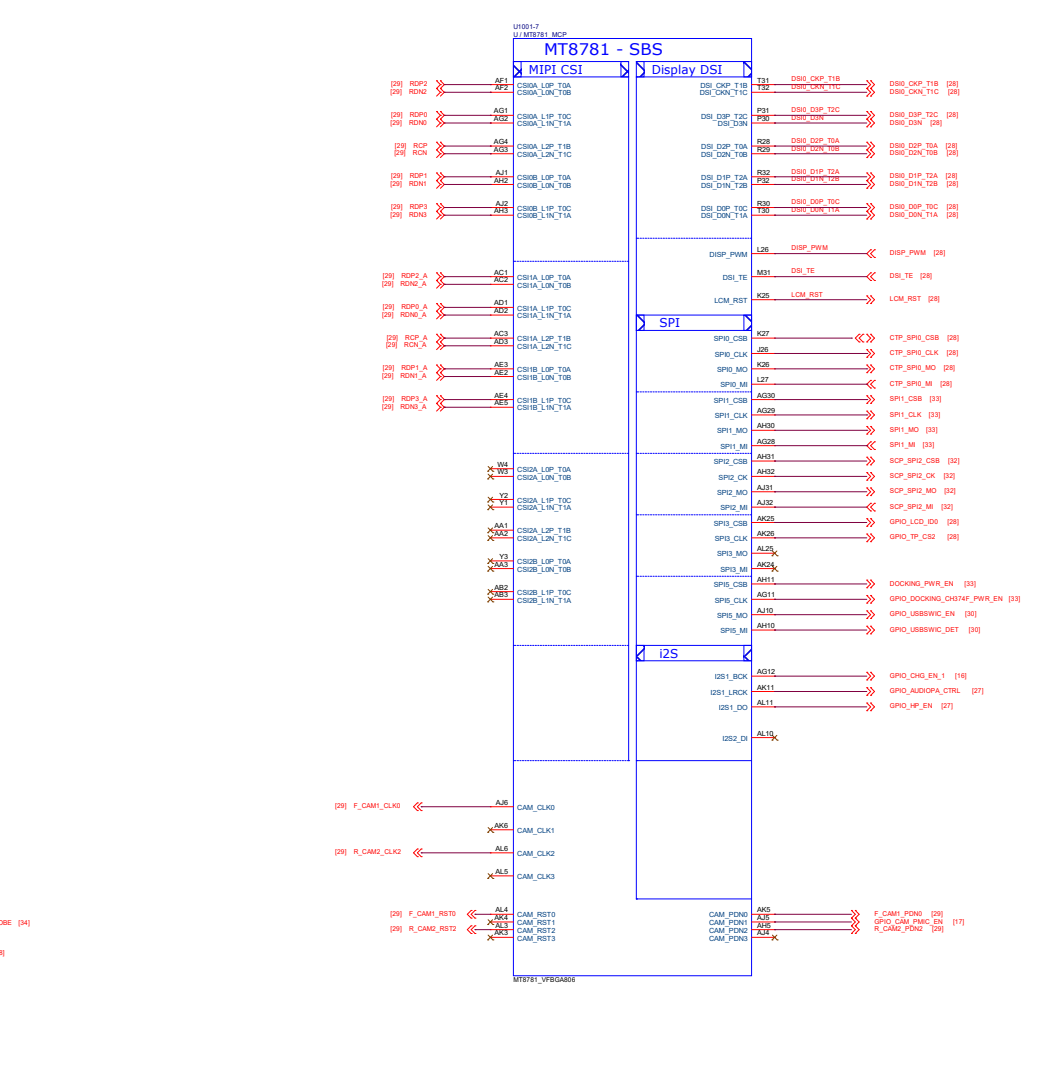
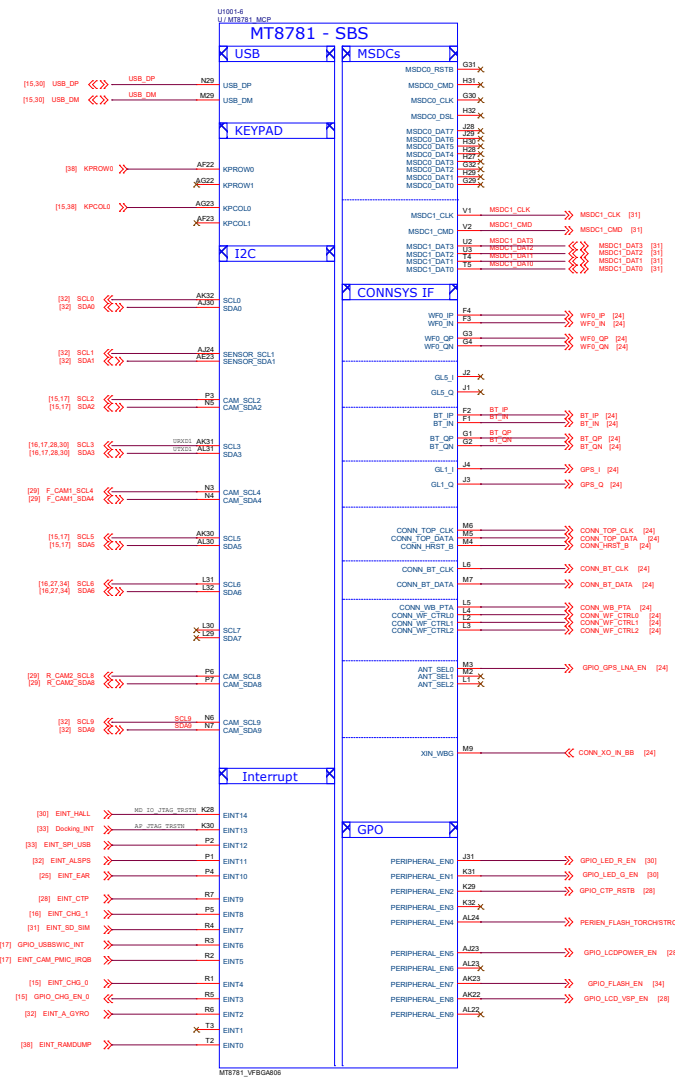
Note : I2C Spec. : Standard mode (100 kbps) and Fast mode (400 kbps), Fast mode Plus (1 Mbps) and High-speed mode (3.4 Mbps)



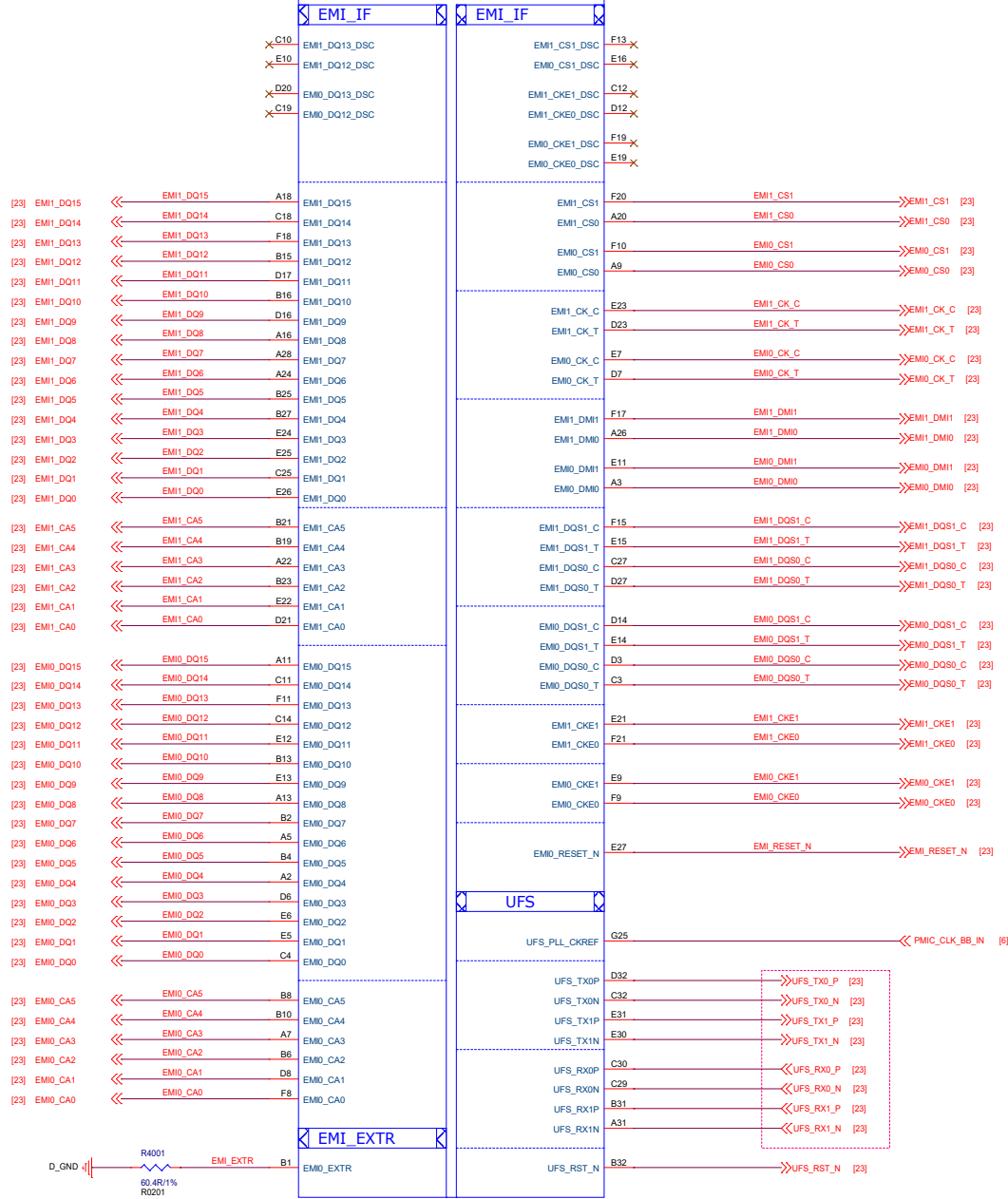
MT8781_VFBGA806

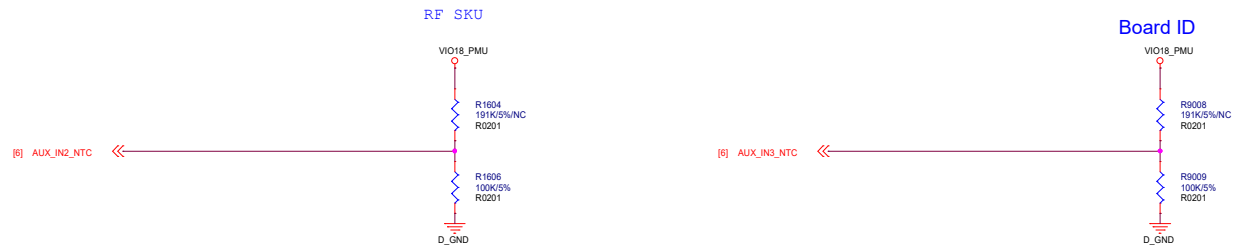






MT8781 - SBS





5

4

3

2

1

D

D

C

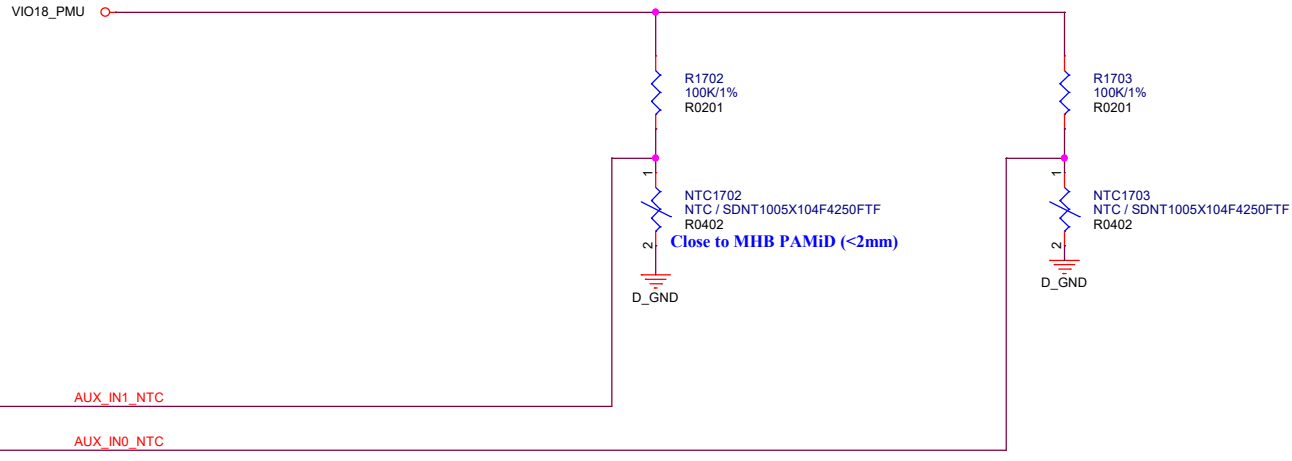
C

B

B

A

A



[6] AUX_IN1_NTC

AUX_IN1_NTC

[6] AUX_IN0_NTC

AUX_IN0_NTC

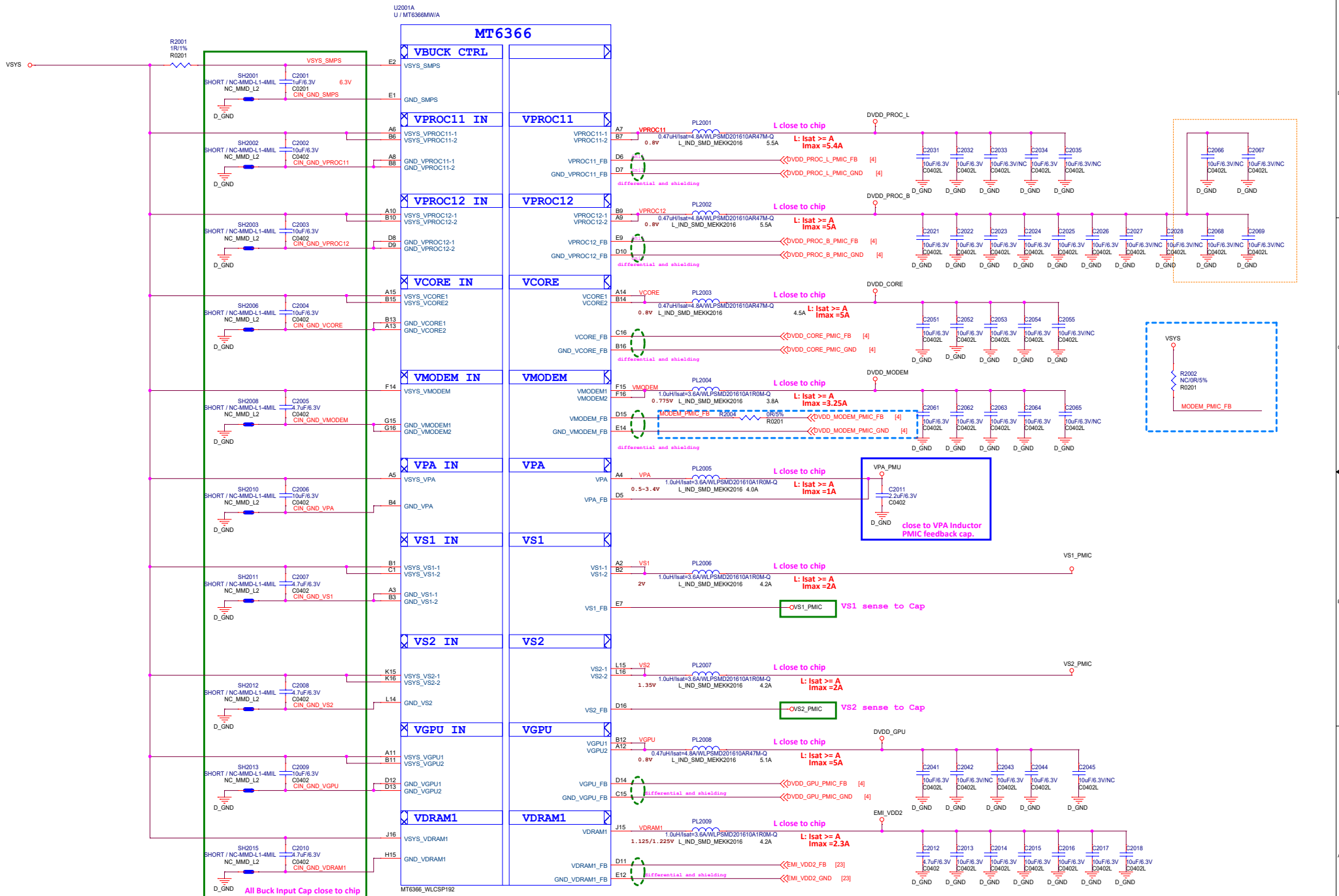
5

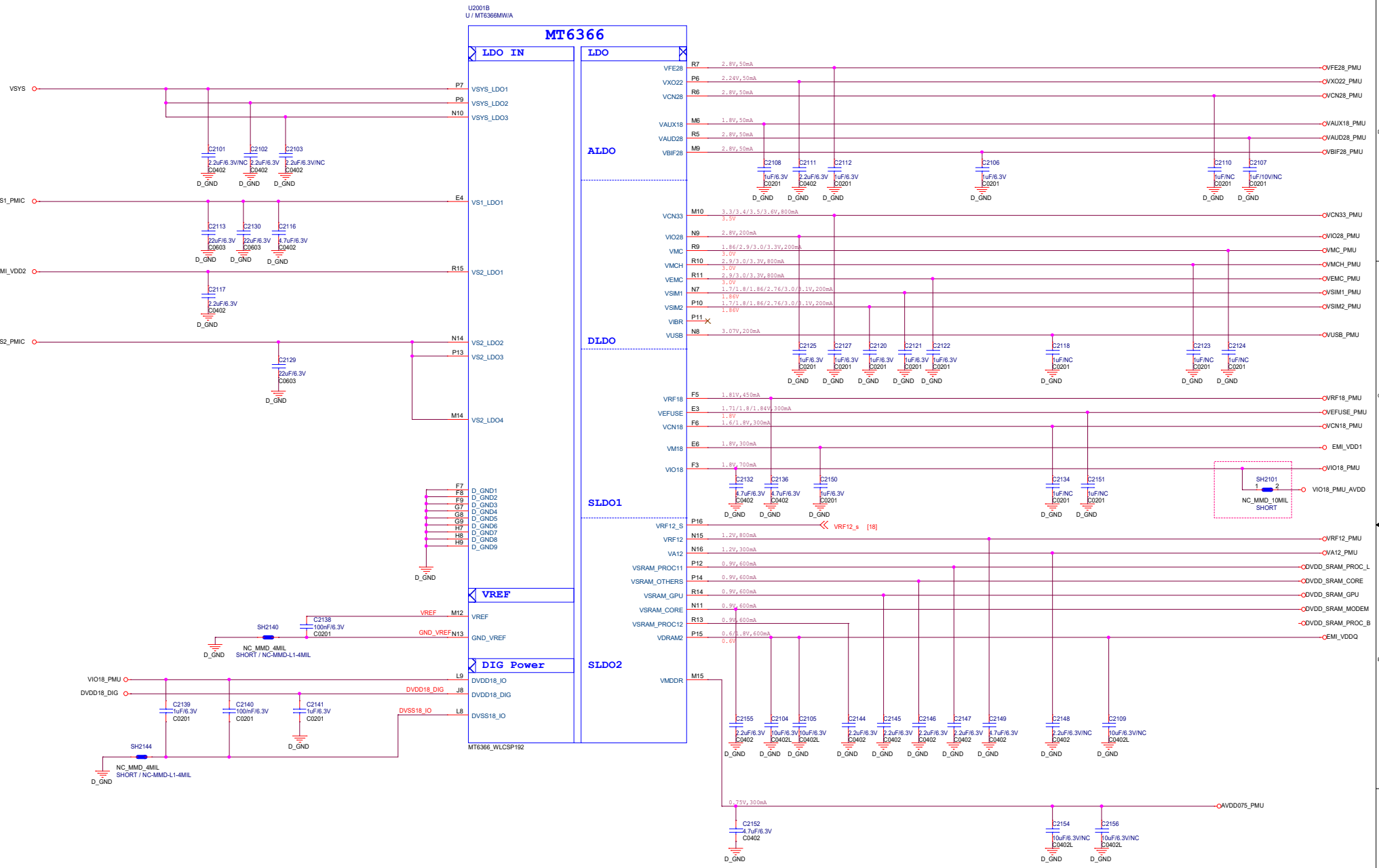
4

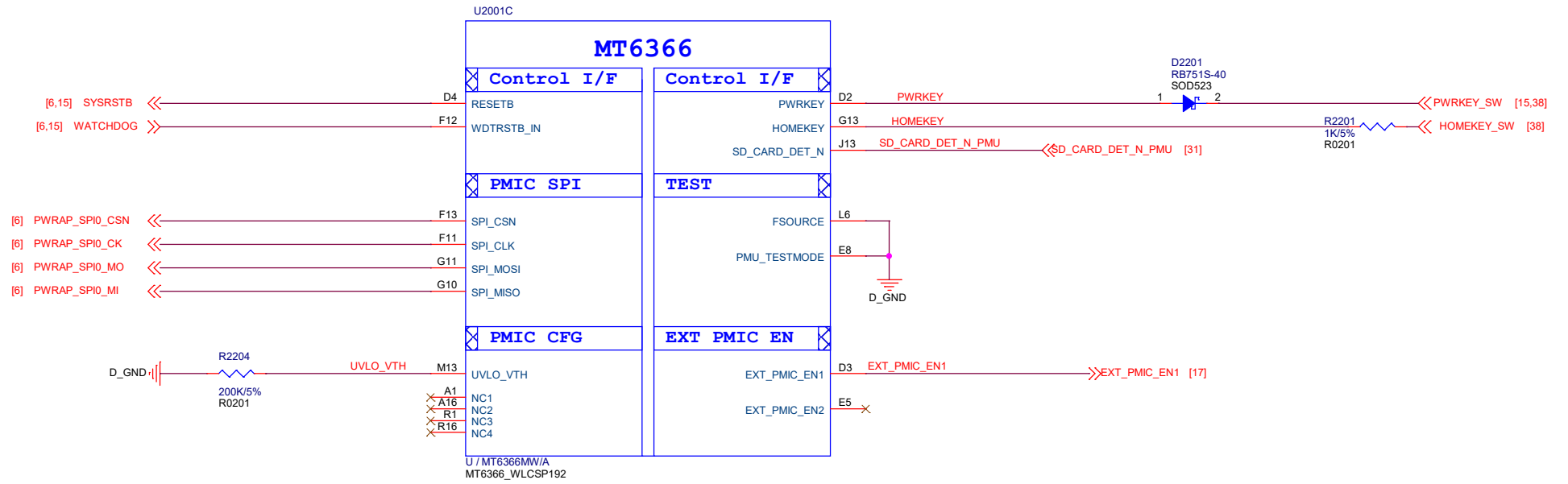
3

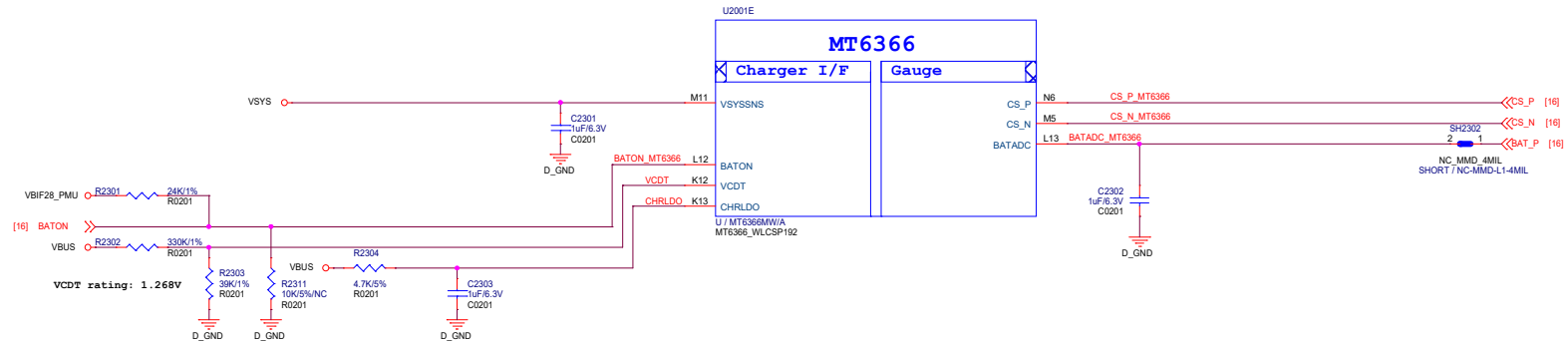
2

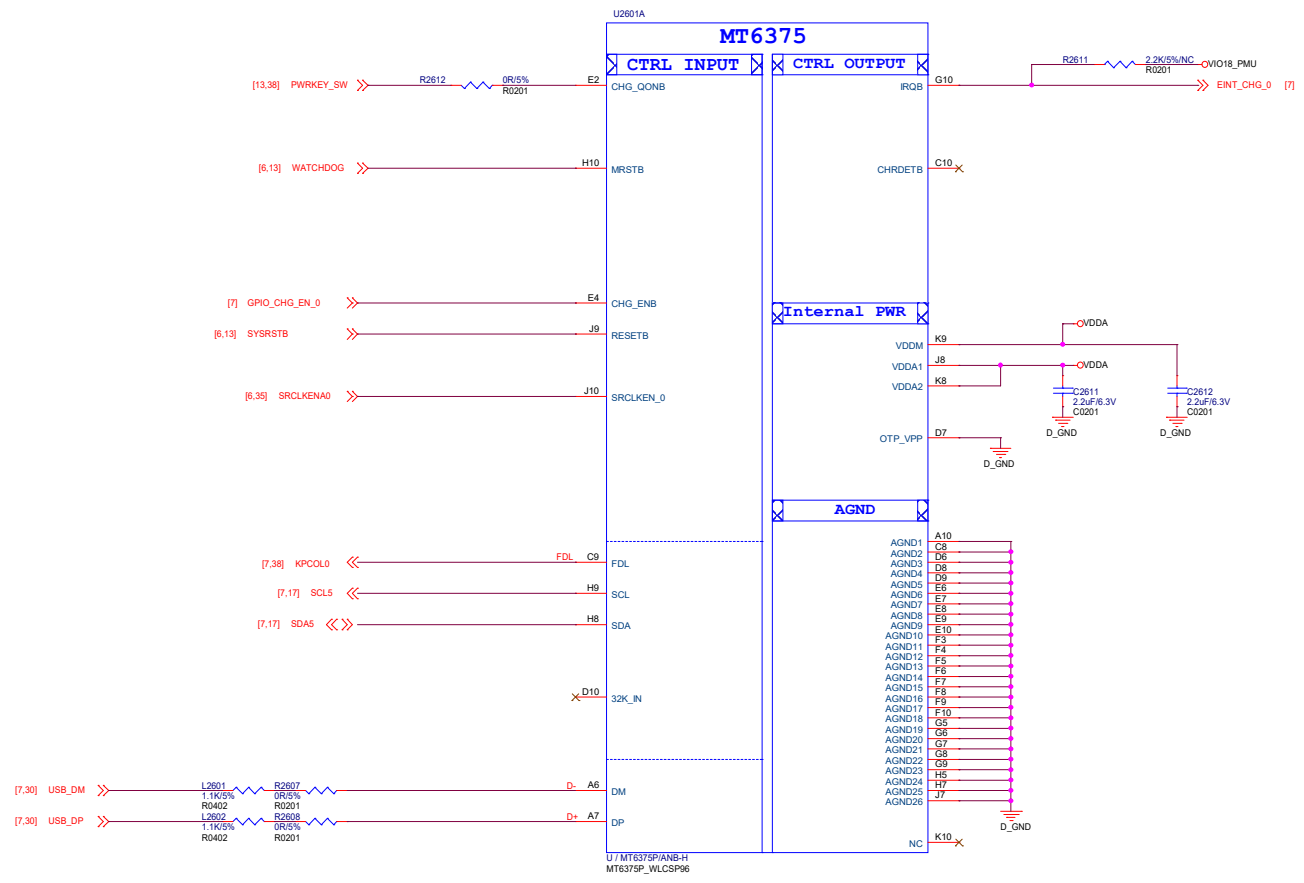
1



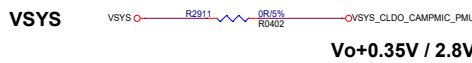
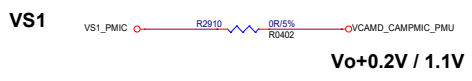
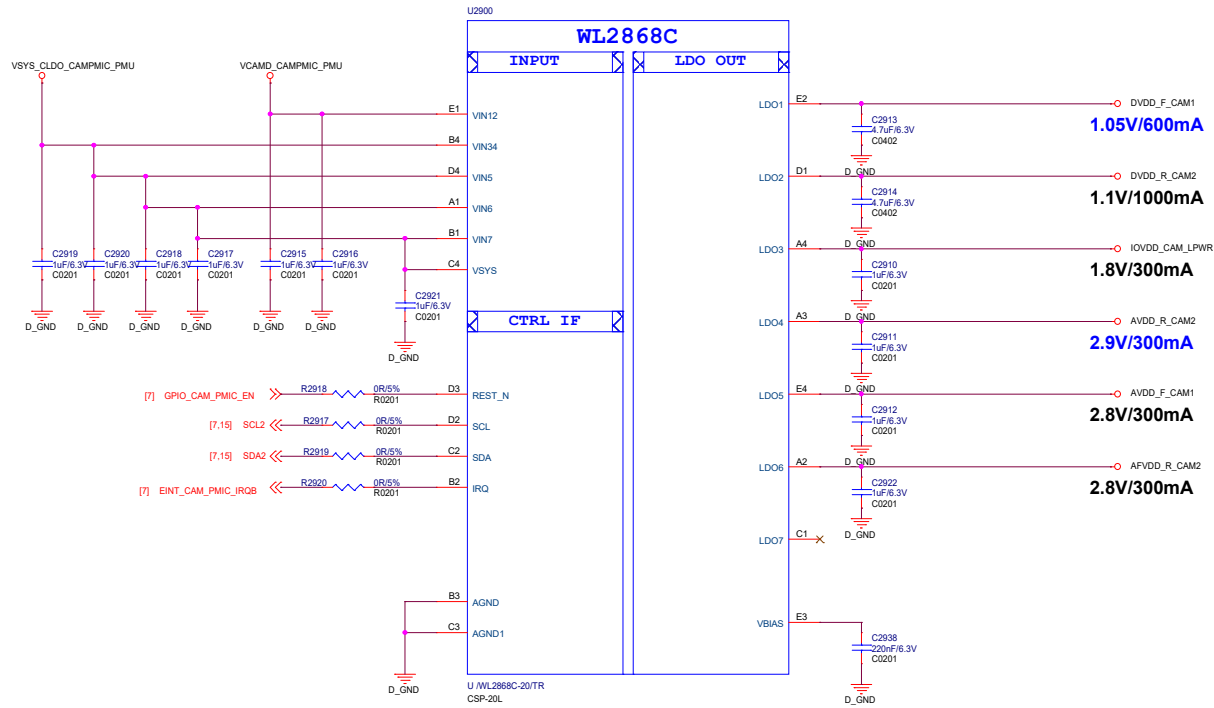
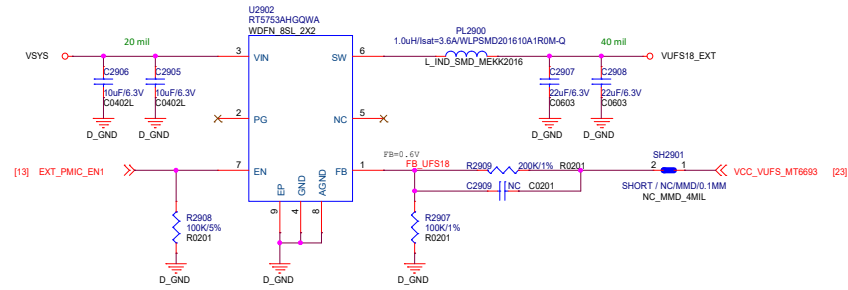


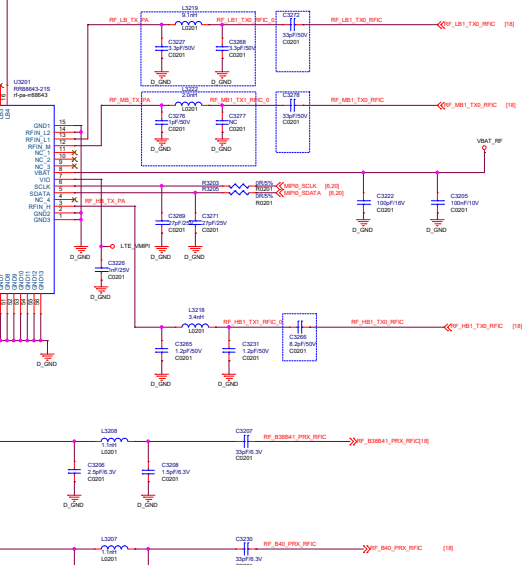
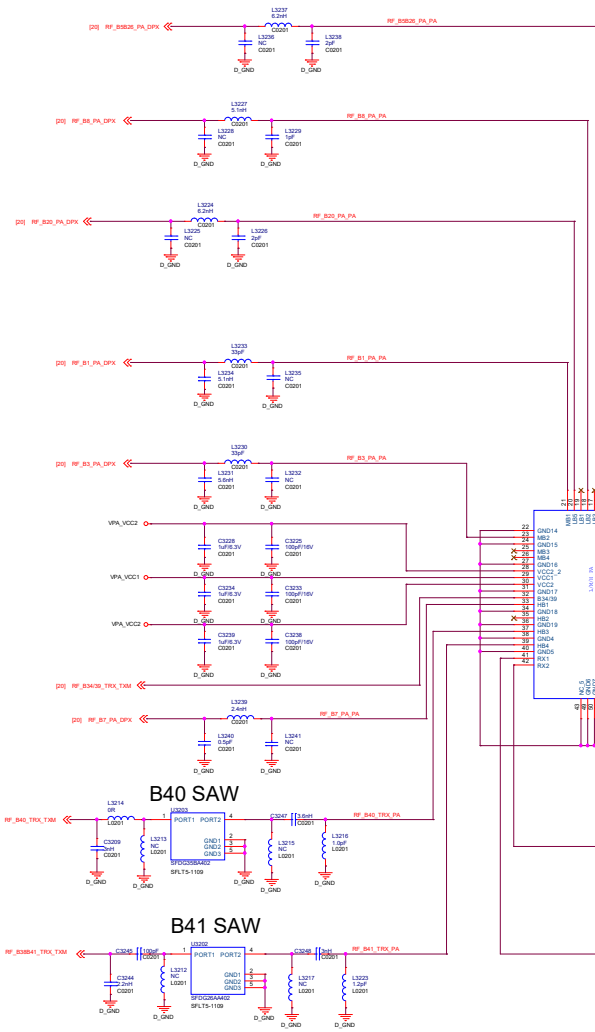
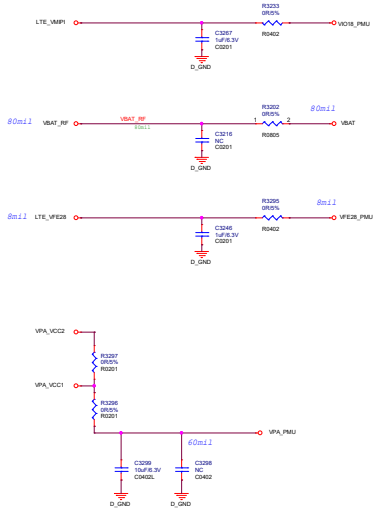






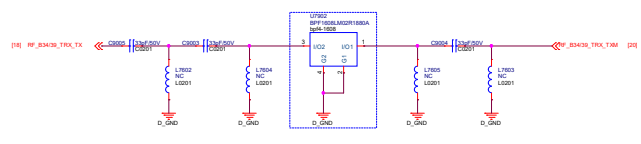
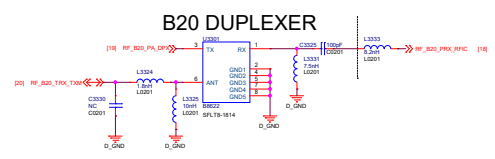
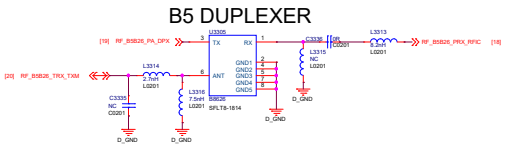
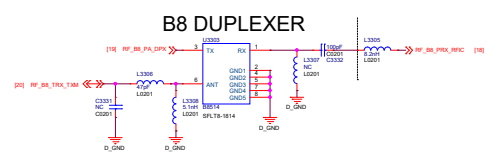
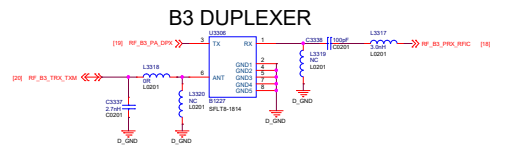
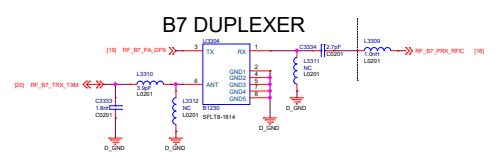
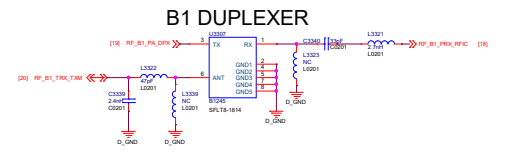
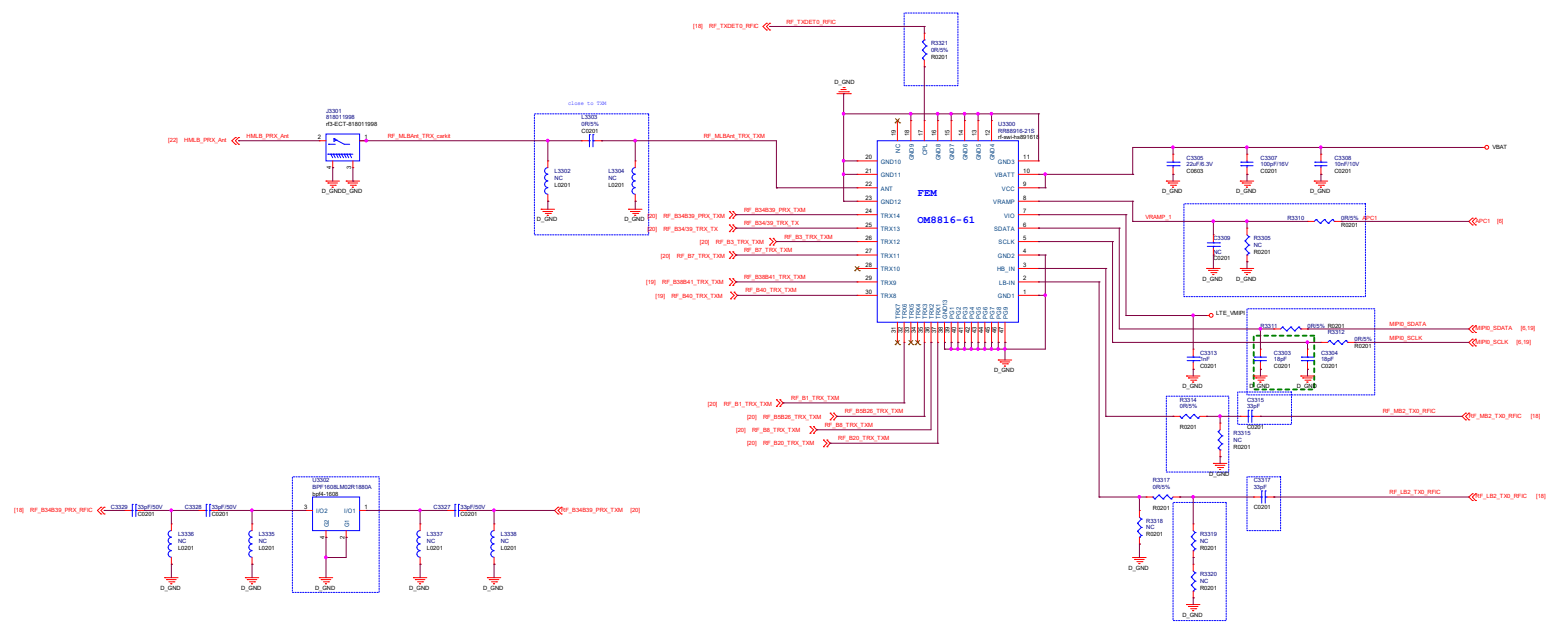
Ext. VUFS18 for UFS

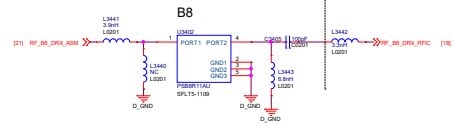
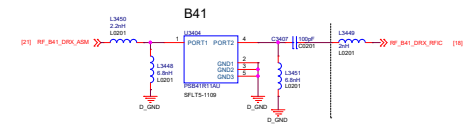
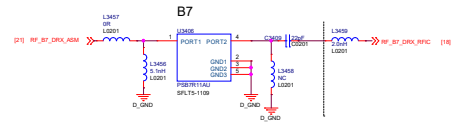
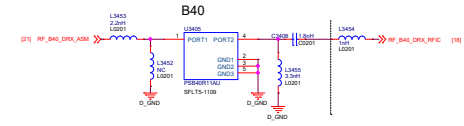
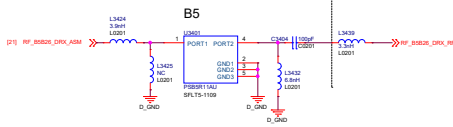
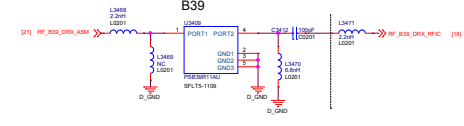
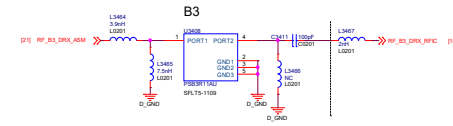
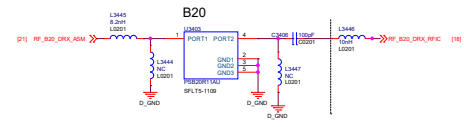
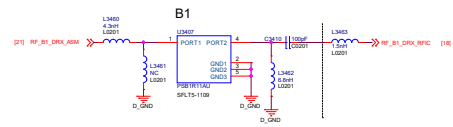
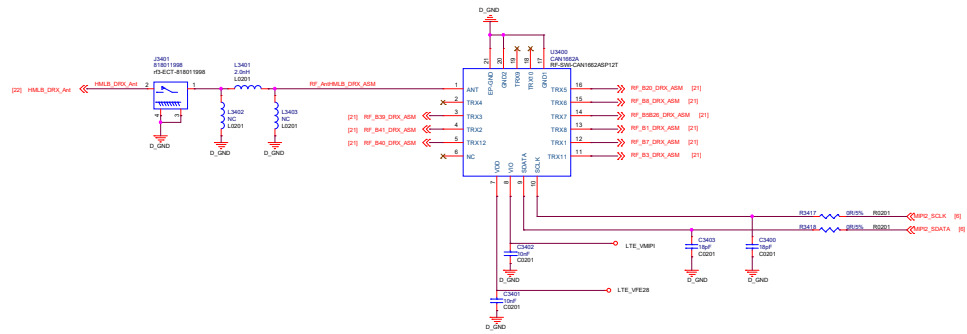


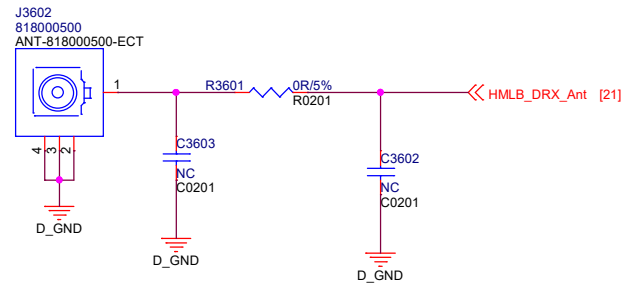
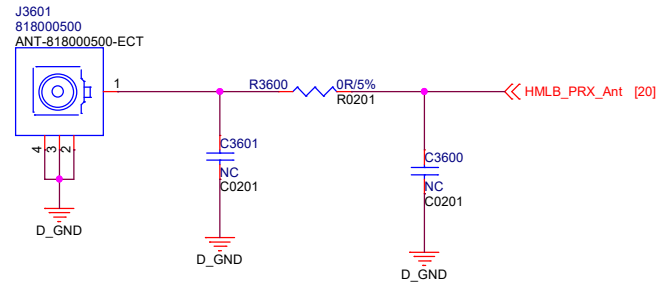


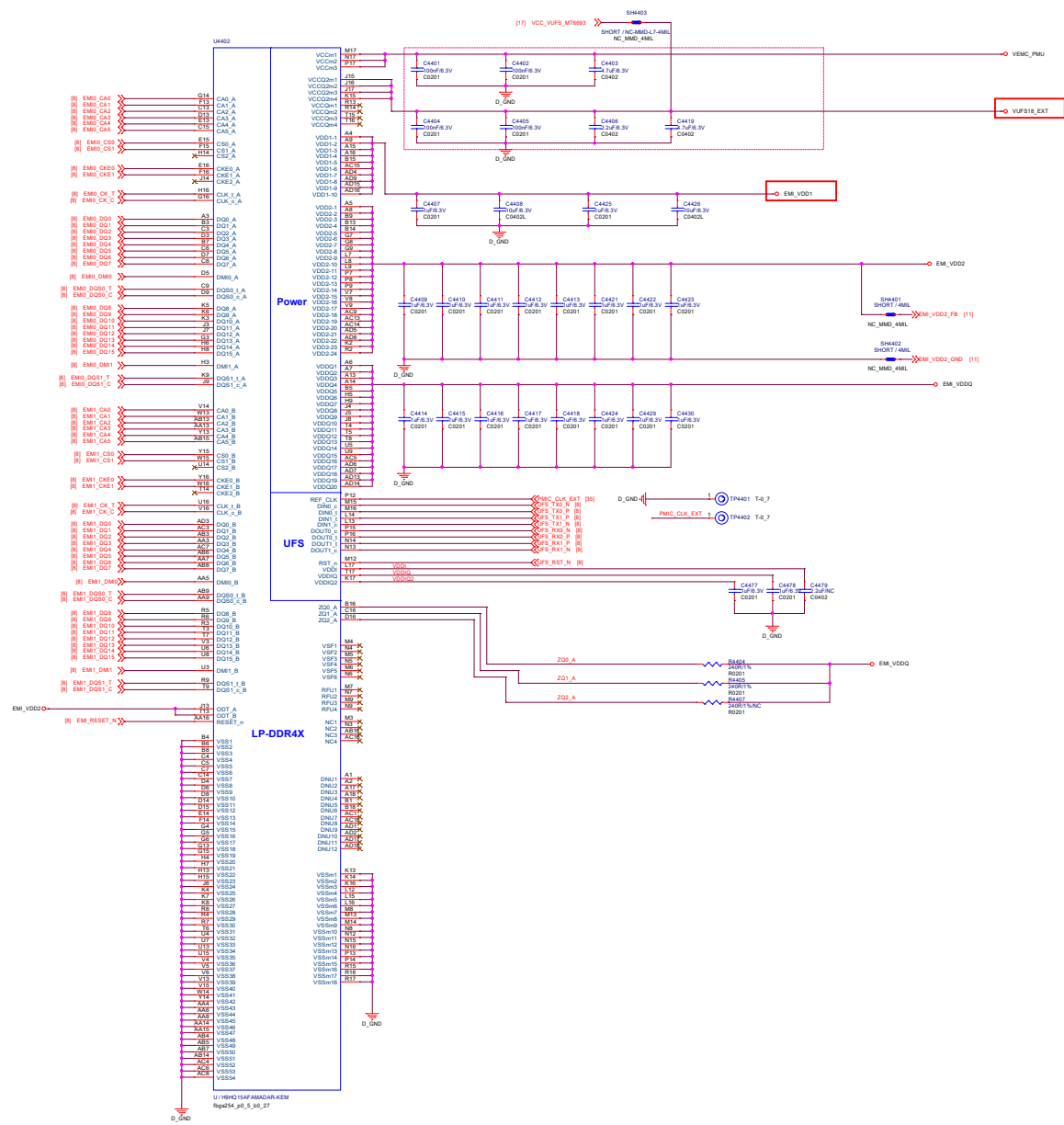
B40 SAW

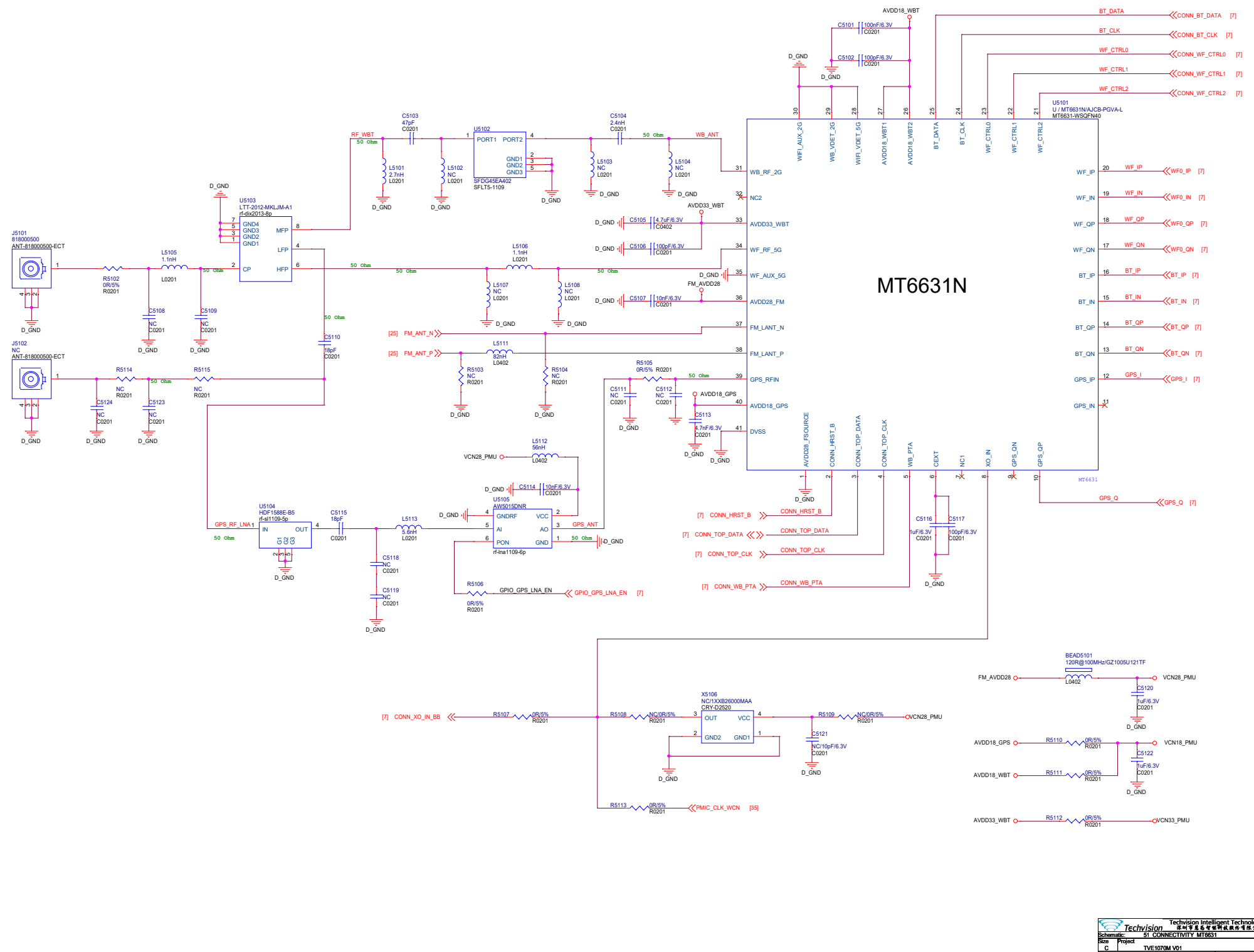
B41 SAW





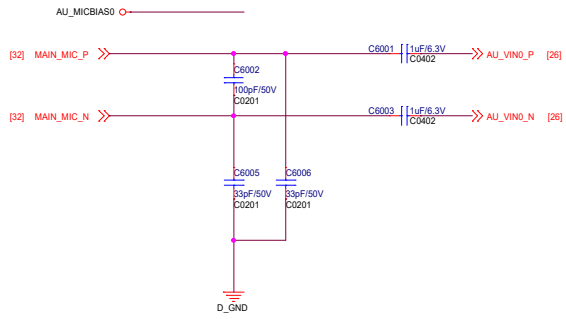




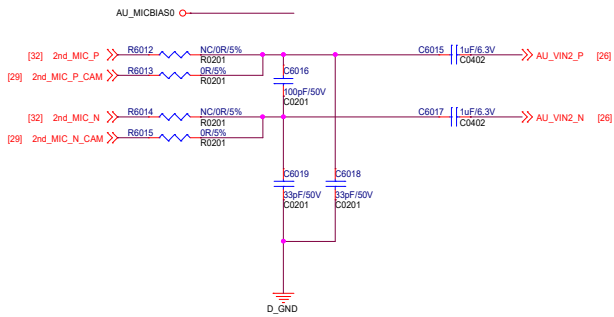


MT6631N

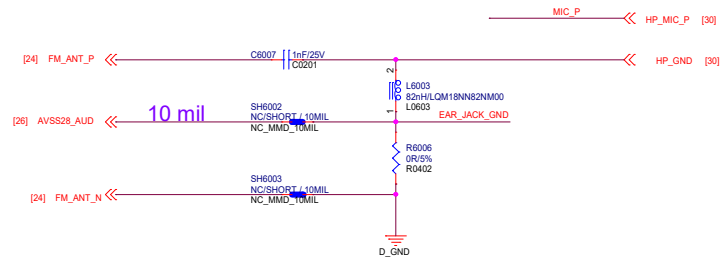
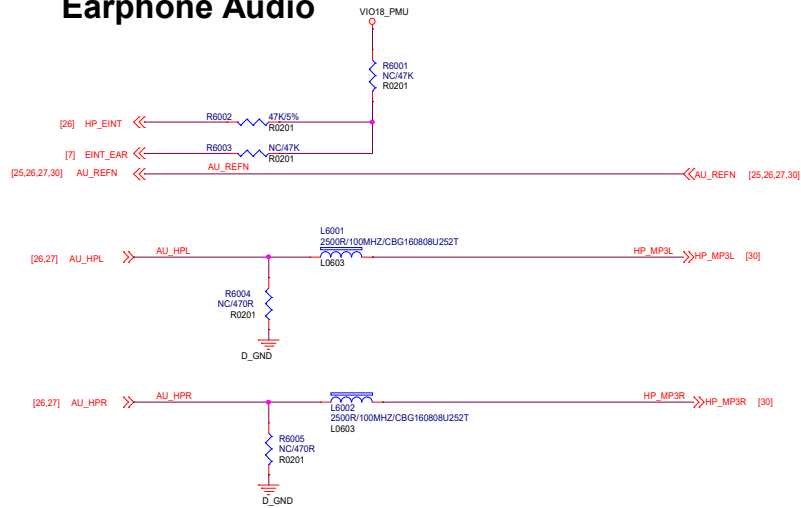
Handset Microphone 1, AMIC



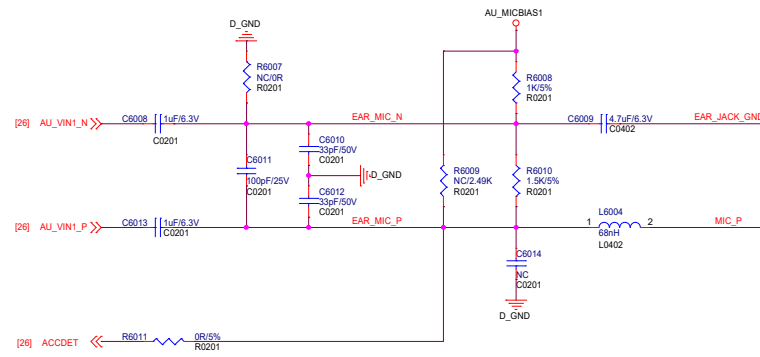
Handset Microphone 2, AMIC

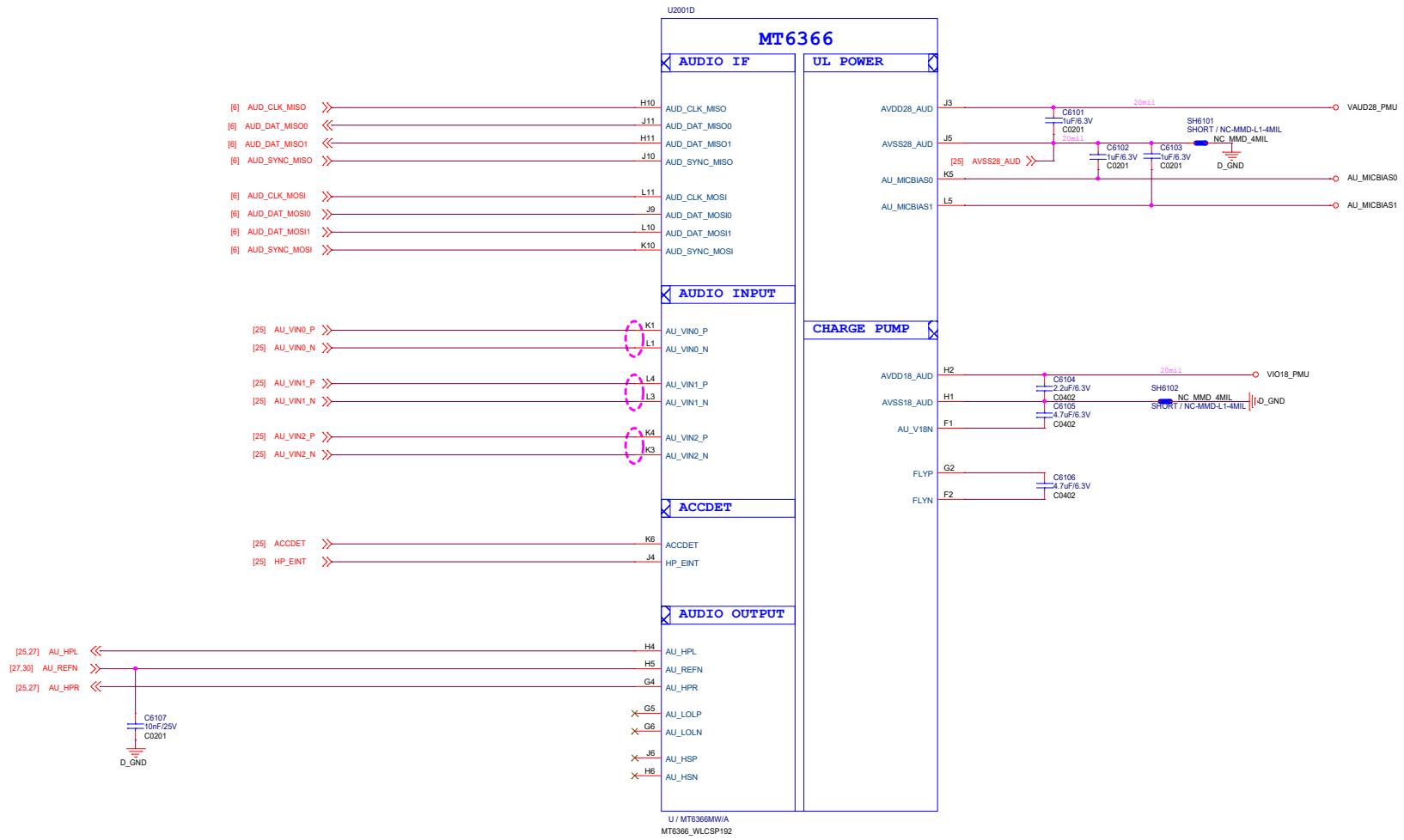


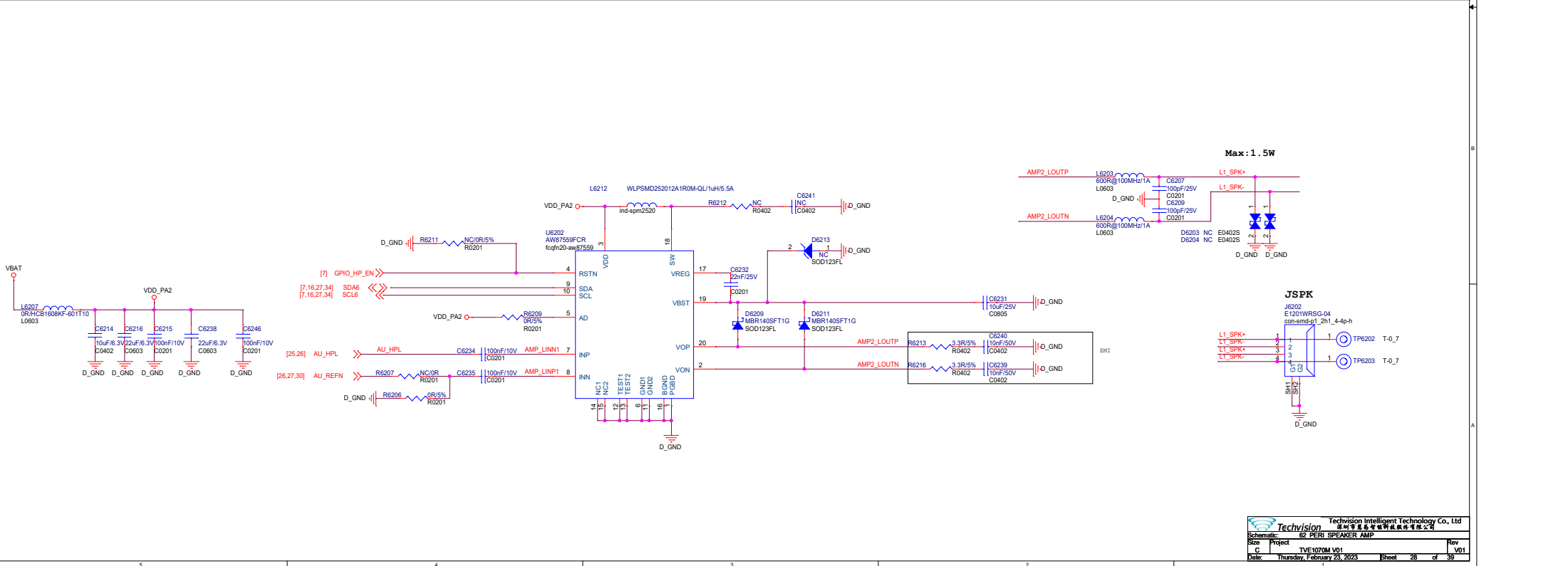
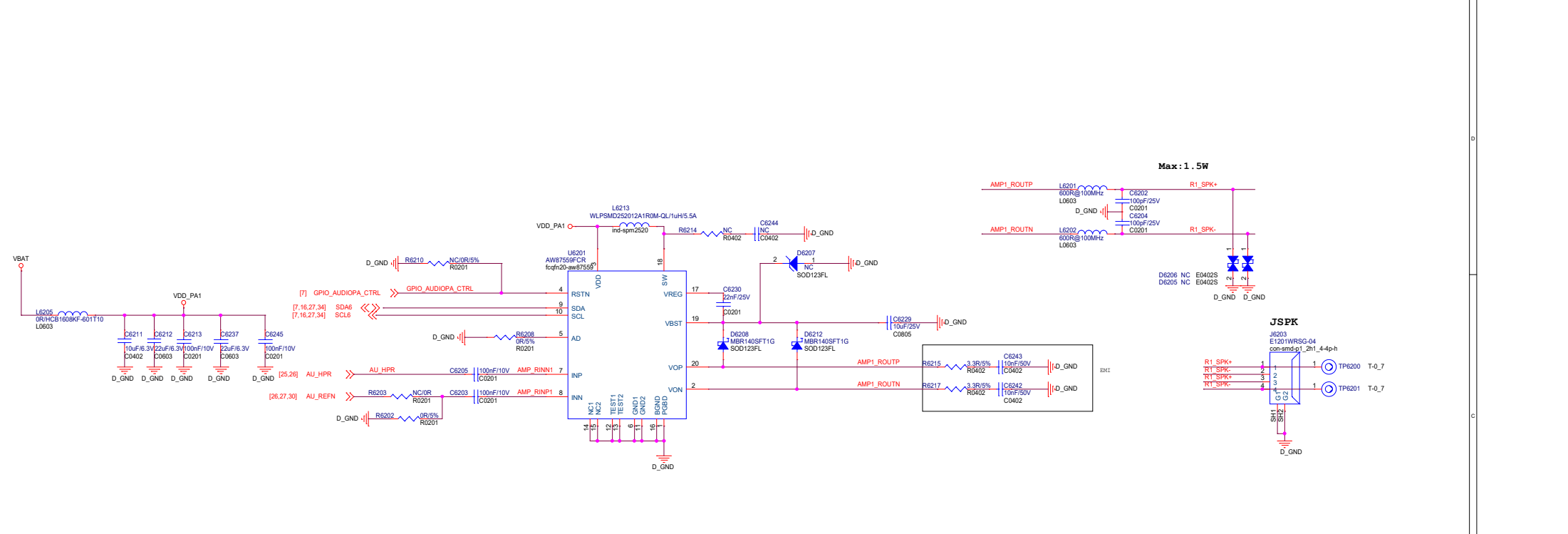
Earphone Audio



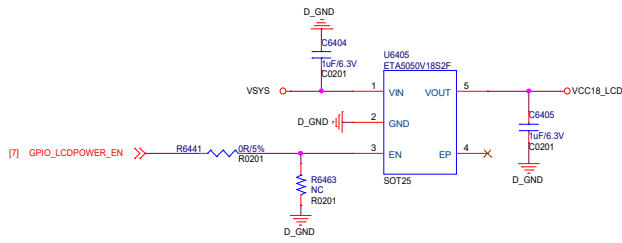
Earphone Microphone



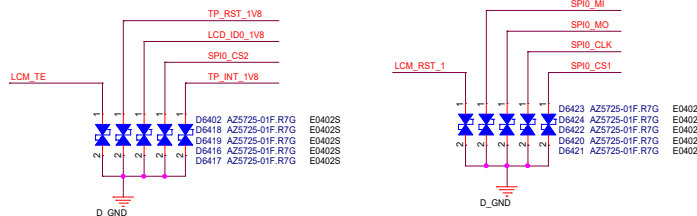
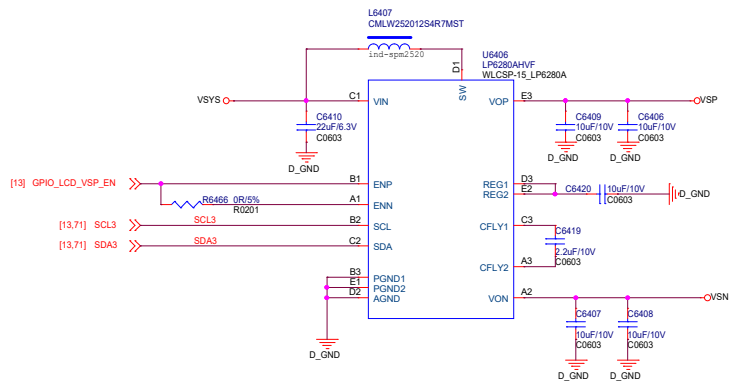
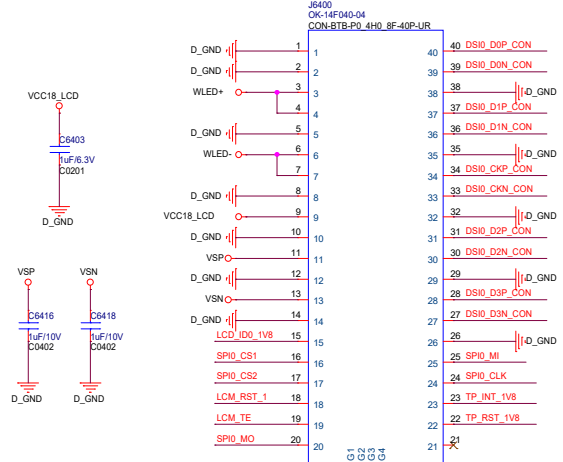
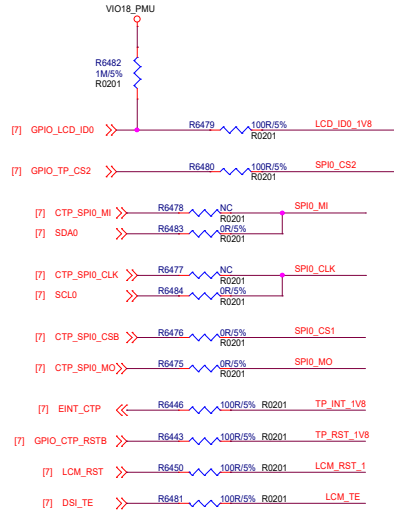
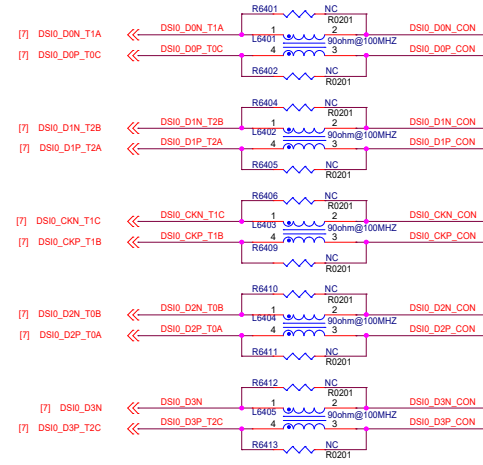
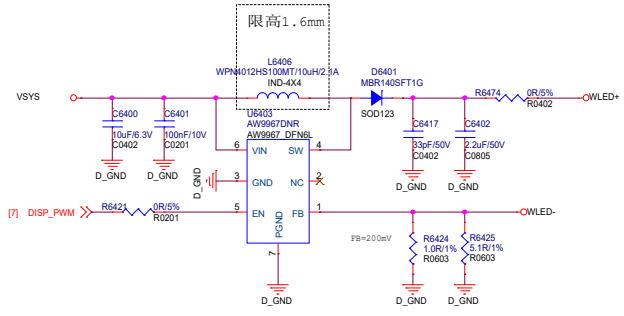


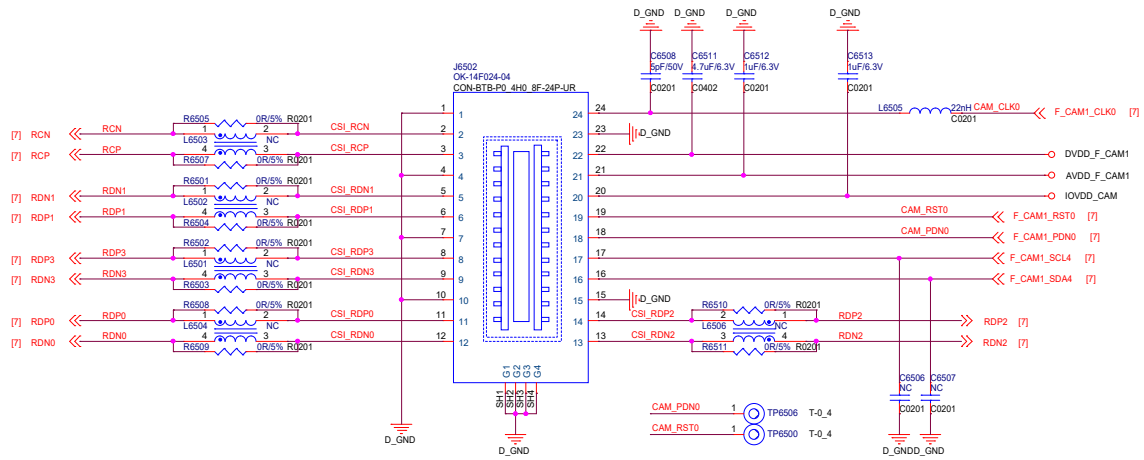
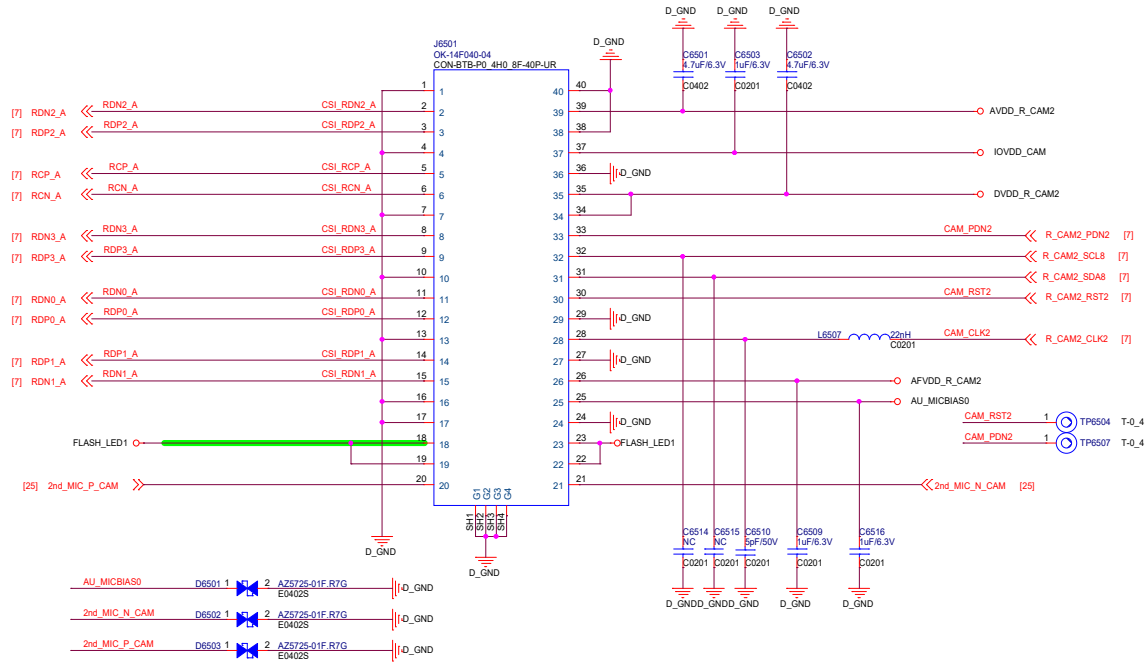


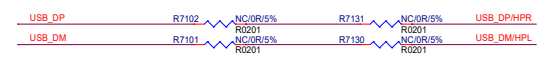
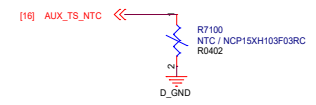
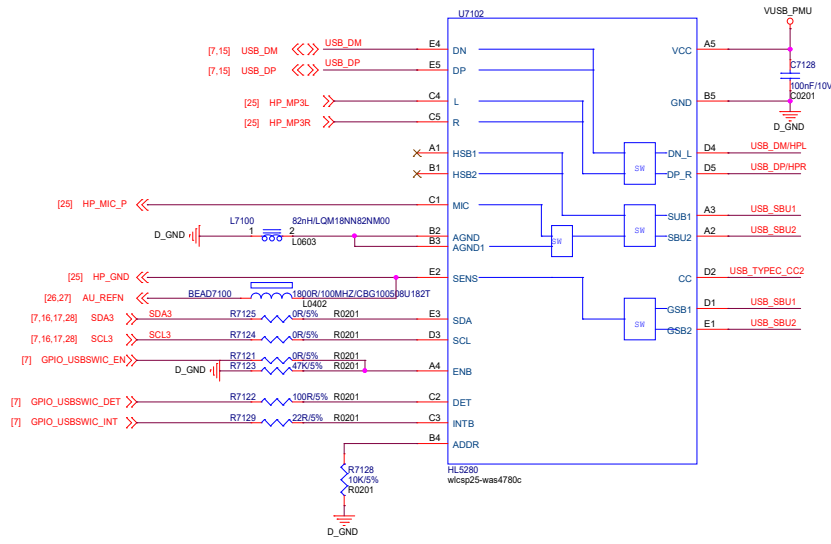
LCD POWER 1.8V



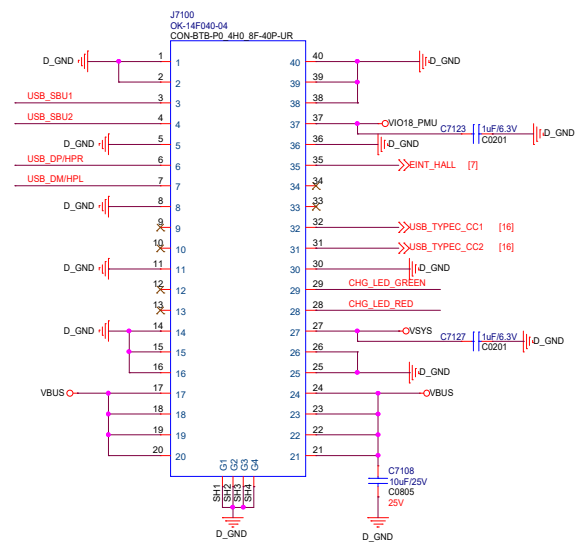
LCD BL



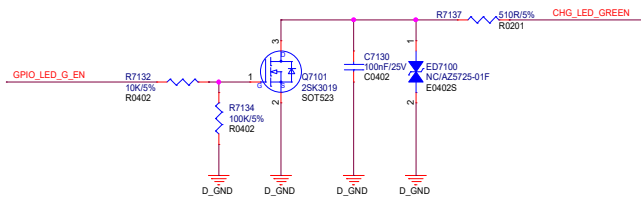
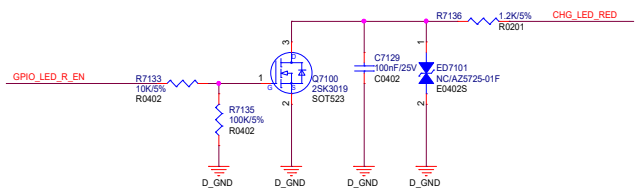


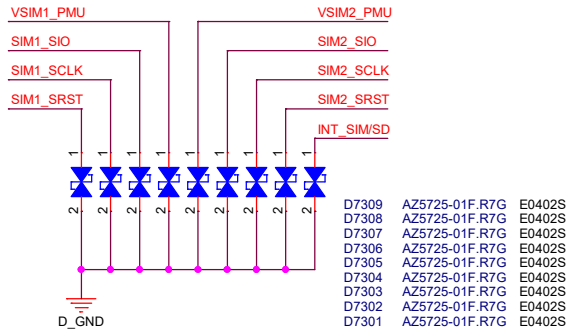


TYPE C CONN

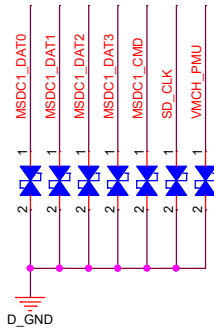


[7] GPIO_LED_R_EN >> _____
 [7] GPIO_LED_G_EN >> _____





D7309	AZ5725-01F.R7G	E0402S
D7308	AZ5725-01F.R7G	E0402S
D7307	AZ5725-01F.R7G	E0402S
D7306	AZ5725-01F.R7G	E0402S
D7305	AZ5725-01F.R7G	E0402S
D7304	AZ5725-01F.R7G	E0402S
D7303	AZ5725-01F.R7G	E0402S
D7302	AZ5725-01F.R7G	E0402S
D7301	AZ5725-01F.R7G	E0402S



D7311	AZ5725-01F.R7G	E0402S
D7312	AZ5725-01F.R7G	E0402S
D7313	AZ5725-01F.R7G	E0402S
D7314	AZ5725-01F.R7G	E0402S
D7315	AZ5725-01F.R7G	E0402S
D7316	AZ5725-01F.R7G	E0402S
D7317	AZ5725-01F.R7G	E0402S

