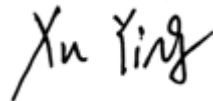


## RF TEST REPORT

**Applicant** Nokia ShangHai Bell Co., Ltd.  
**FCC ID** 2ADZRG1425GB  
**Product** Nokia ONT  
**Brand** NOKIA  
**Model** G-0425G-C  
**Report No.** R2212A1320-R4  
**Issue Date** March 17, 2023

TA Technology (Shanghai) Co., Ltd. tested the above equipment in accordance with the requirements in **FCC CFR47 Part 15C (2022)**. The test results show that the equipment tested is capable of demonstrating compliance with the requirements as documented in this report.



Prepared by: Xu Ying



Approved by: Xu Kai

---

### TA Technology (Shanghai) Co., Ltd.

Building 3, No.145, Jintang Rd, Pudong Shanghai, P.R.China

TEL: +86-021-50791141/2/3

FAX: +86-021-50791141/2/3-8000

## TABLE OF CONTENT

1. Test Laboratory .....	3
1.1. Notes of the test report.....	3
1.2. Test facility .....	3
1.3. Testing Location.....	3
2. General Description of Equipment under Test.....	4
2.1. Applicant and Manufacturer Information.....	4
2.2. General information.....	4
ANNEX A: The EUT Appearance .....	8
ANNEX B: Product Change Description .....	9
ANNEX C: Original Report (Report No.: R2111A0997-R1V1).....	10

## 1. Test Laboratory

### 1.1. Notes of the test report

This report shall not be reproduced in full or partial, without the written approval of **TA technology (shanghai) co., Ltd.** The results documented in this report apply only to the tested sample, under the conditions and modes of operation as described herein .Measurement Uncertainties were not taken into account and are published for informational purposes only. This report is written to support regulatory compliance of the applicable standards stated above.

### 1.2. Test facility

#### **FCC (Designation number: CN1179, Test Firm Registration Number: 446626)**

TA Technology (Shanghai) Co., Ltd. has been listed on the US Federal Communications Commission list of test facilities recognized to perform measurements.

#### **A2LA (Certificate Number: 3857.01)**

TA Technology (Shanghai) Co., Ltd. has been listed by American Association for Laboratory Accreditation to perform measurement.

### 1.3. Testing Location

Company: TA Technology (Shanghai) Co., Ltd.  
Address: Building 3, No.145, Jintang Rd, Pudong Shanghai, P.R.China  
City: Shanghai  
Post code: 201201  
Country: P. R. China  
Contact: Xu Kai  
Telephone: +86-021-50791141/2/3  
Fax: +86-021-50791141/2/3-8000  
Website: <http://www.ta-shanghai.com>  
E-mail: [xukai@ta-shanghai.com](mailto:xukai@ta-shanghai.com)

## 2. General Description of Equipment under Test

### 2.1. Applicant and Manufacturer Information

<b>Applicant</b>	Nokia ShangHai Bell Co., Ltd.
<b>Applicant address</b>	No. 388, Ningqiao Rd. Pilot Free Trade Zone, Shanghai, China
<b>Manufacturer 1</b>	TAICANG T&W ELECTRONICS CO., LTD
<b>Manufacturer address 1</b>	89# Jiang Nan RD, Lu Du TownTaicang, Jiangsu, China
<b>Manufacturer 2</b>	Shenzhen Twowing Technologies CO., LTD
<b>Manufacturer address 2</b>	Nangang industrial building, No.3 Industrial Zone, Tangtou village, Shiyan Town, Bao'an District,Shenzhen City,Guangdong Province,China

### 2.2. General information

EUT Description			
Model	G-0425G-C		
Lab internal SN	Original	R2111A0997/S01	
Hardware Version	PEM1		
Software Version	3FE49568HJJI31		
Power Supply	AC Adapter		
Antenna Type	External Antenna		
Antenna Connector	A permanently attached antenna (meet with the standard FCC Part 15.203 requirement)		
Directional Gain	Antenna	Frequency(MHz)	Gain (dBi)
	MIMO (For Power)	2400	4.6
		2450	4.7
		2500	4.6
	MIMO (For PSD)	2400	5.3
		2450	5.4
2500		5.4	
Operating Frequency Range(s)	802.11b/g/n(HT20): 2412 ~ 2462 MHz 802.11n(HT40): 2422 ~ 2452 MHz		
Modulation Type	802.11b: DSSS 802.11g/n(HT20/HT40): OFDM		

<b>EUT Accessory</b>	
Adapter 1	Manufacturer: Dongguan Shilong Fuhua Electronics Co.,Ltd Model: UES24WU-120200SPA
Adapter 2	Manufacturer: MOSO Power Supply Technology Co.,Ltd Model: MSA-C1500CS12.0-18J-US
Adapter 3	Manufacturer: SHENZHEN RUIDE ELECTRONICAL INDUSTRIAL Co.,Ltd Model: RD1201500-C55-153YG
Adapter 4	Manufacturer: Dongguan Shilong Fuhua Electronics Co.,Ltd Model: UES18LB-120150SPA
Adapter 5	Manufacturer: Dongguan Shilong Fuhua Electronics Co.,Ltd Model: UES18LU-120150SPA
Adapter 6	Manufacturer: SHENZHEN RUIDE ELECTRONICAL INDUSTRIAL Co.,Ltd Model: RD1201500-C55-153MG
Adapter 7	Manufacturer: ShenZhen SOY Technology Co.,Ltd Model: SOY-1200300-3014-II
Adapter 8	Manufacturer: ShenZhen Mass Power Electronic Limited Model: NBS40C120300M2
Adapter 9	Manufacturer: SHENZHEN RUIDE ELECTRONICAL INDUSTRIAL Co.,Ltd Model: RD1201500-C55-198MG
Adapter 10	Manufacturer: SHENZHEN RUIDE ELECTRONICAL INDUSTRIAL Co.,Ltd Model: RD1201500-C55-198OG
Adapter 11	Manufacturer: SHENZHEN RUIDE ELECTRONICAL INDUSTRIAL Co.,Ltd Model: RD1201500-C55-198YG
Adapter 12	Manufacturer: ShenZhen SOY Technology Co.,Ltd Model: SOY-1200150AR
Adapter 13	Manufacturer: SHENZHEN RUIDE ELECTRONICAL INDUSTRIAL Co.,Ltd Model: RD1201000-C55-35MGD
Adapter 14	Manufacturer: XIAMEN KELI ELECTRONICS CO.LTD Model: KL-WA120100-E
Note: 1. The EUT is sent from the applicant to TA and the information of the EUT is declared by the applicant.	

**Information of Configuration:**

ONT Mnemonic	Kit Code	EMA Code	Part Description
G-0425G-C	3FE49912XXXX (X can be A-Z or blank)	3TN00057XXXX (X can be A-Z or blank)	GPON ONT, 4xGE UNI, WIFI 5, 2x2 11n + 2x2 11ac

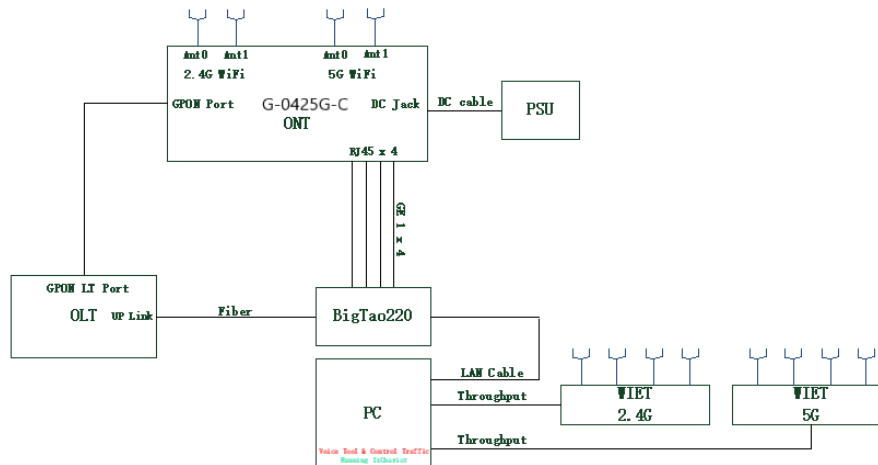
No.	Name	Model/Code No.	Edition	Serial No. or Quantity
1.1	EMA-G-0425G-C	3TN00057XXXX (X can be A-Z or blank)	PEM2	-
2.1	Power adapter	RD1201000-C55-35OGD	/	PEM
2.2	Power adapter	RD1201000-C55-35MGD	/	PEM
2.3	Power adapter	KL-WE120100-B	/	PEM
2.4	Power adapter	KL-WA120100-E	/	PEM

**Auxiliary equipment details**

No.	Name	Brand name	Model	NSB code	Valid Until
1	Test Center	Spirent	DE48E0	DC2228	2012.12.20
2	PC	Lenovo	T61	7661MC4L3KW965	No Cal. Required
3	OLT	Nokia	N.A	-	No Cal. Required

**Information of Ports**

No.	Port name	Number	Shielded or unshielded	Cable type (optic, twisted pair, etc.)	Max. Cable length
1	LAN1	1	Unshielded	CAT5E	--
2	LAN2	1	Unshielded	CAT5E	--
3	LAN3	1	Unshielded	CAT5E	--
4	LAN4	1	Unshielded	CAT5E	--



**G-0425G-C (Report No.: R2212A1320-R4) is a variant model of G-1425G-B (Report No.: R2111A0997-R1V1). The report added two adapters (Adapter 13 ~ 14).**

**There is only verifies Maximum output power and tests Unwanted Emissions (802.11b, CH1; 802.11g, CH1; 802.11n HT20, CH1; 802.11n HT40, CH6) in this report.**

**Powers of new variant are varied due to measurement uncertainty, and sample tolerance of the acceptance range.**

**Unwanted Emissions did not worsen, so they were not recorded in the report.**

**The detailed product change description please refers to the *Difference Declaration Letter*.**

**This report is used in conjunction with the original report (attached ANNEX C: Original Report (Report No.: R2111A0997-R1V1)).**

**\*\*\*\*\*END OF REPORT \*\*\*\*\***

## **ANNEX A: The EUT Appearance**

The EUT Appearance are submitted separately.



## **ANNEX B: Product Change Description**

The Product Change Description are submitted separately.

## **ANNEX C: Original Report (Report No.: R2111A0997-R1V1)**

The Original Report are submitted separately.