



蓝牙天线规格

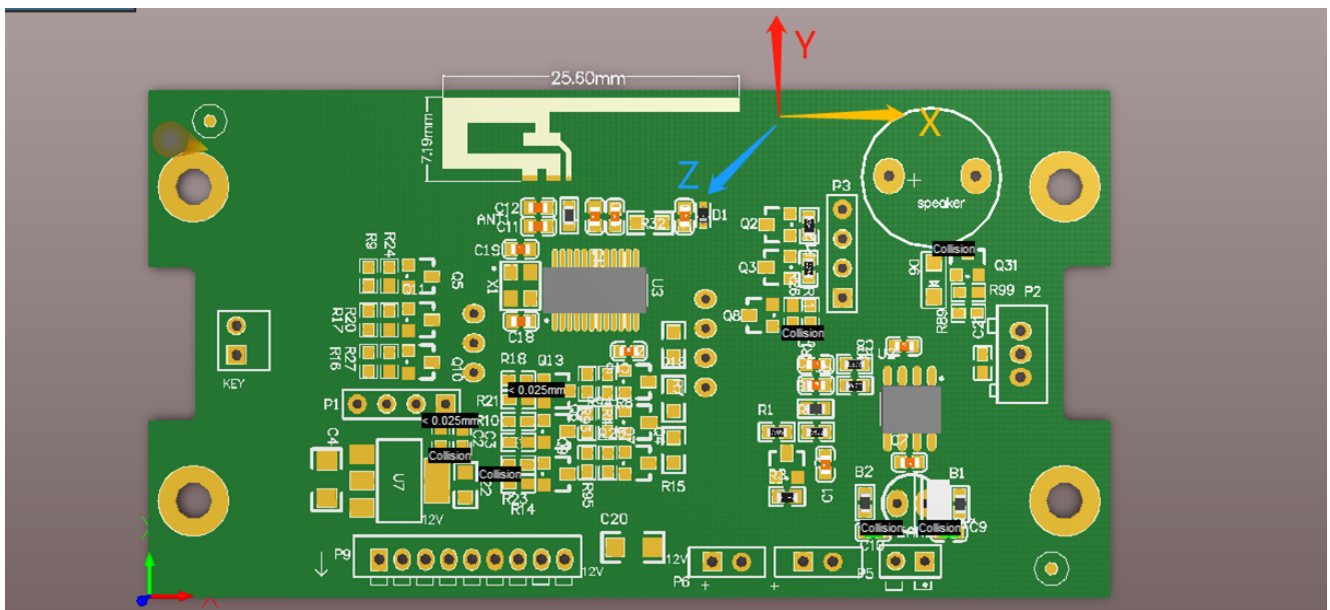
深圳市芯海科技有限公司

版权所有 不得复制

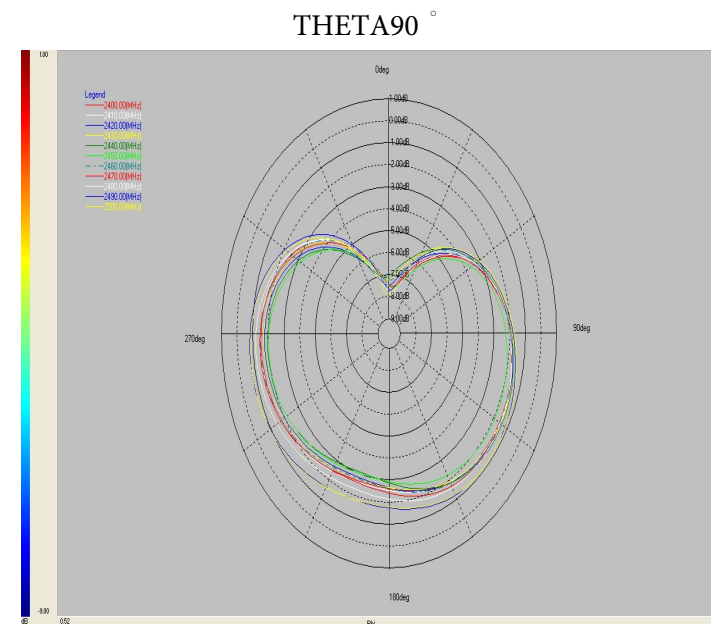
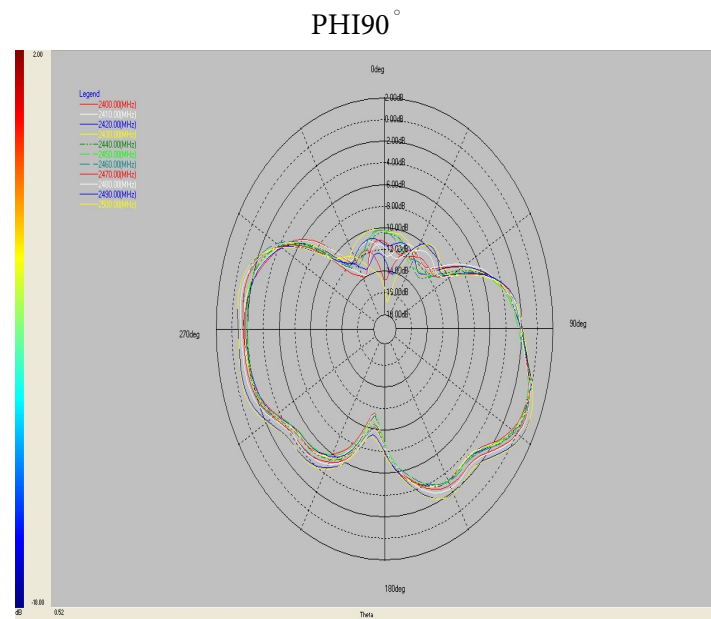
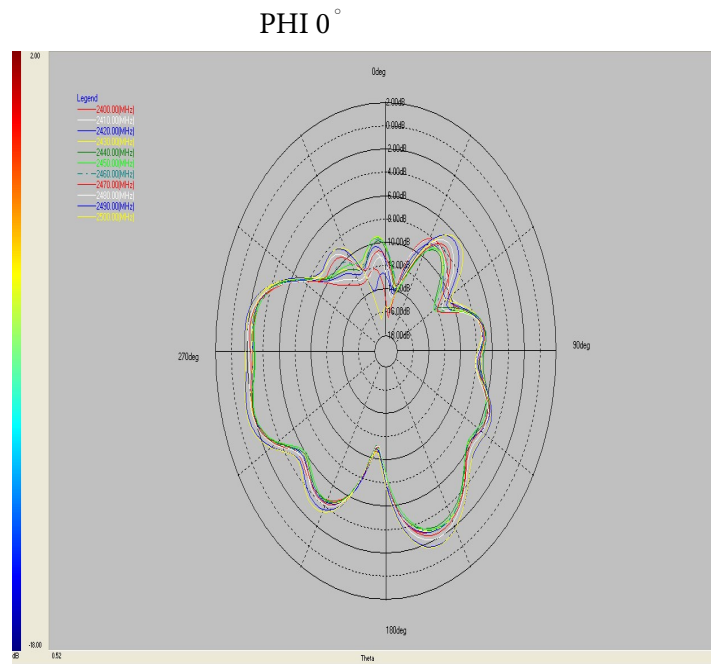
1: Antenna Description

Antenna Type	PCB Antenna
Antenna peak gain	1.07dBi
Frequency range	2.402GHz~2.480GHz
Connect type	Direct Connect

2: Antenna picture on the PCB board



3. 2D Radiation characteristics of antenna characteristics of antenna(VEC 03)



Frequency VNA (MHz)	Gain (Peak) (dBi)
2400MHz	0.043624
2410MHz	0.081832
2420MHz	0.20836
2430MHz	0.11420
2440MHz	0.2293
2450MHz	0.075285
2460MHz	0.43026
2470MHz	0.63025
2480MHz	0.36852
2490MHz	1.063085
2500MHz	1.074296