

**Dongguanyuyao electronic technology co. LTD**

**SPECIFICATION APPROVAL**

**CUSTOMER S P/N : Magnetic wireless charging TX coil**

**PRODUCT SPEC : 43.6\*20.5\*0.08\*24P\*2P**

**ISSUE DATE : 2022.10.28**

---

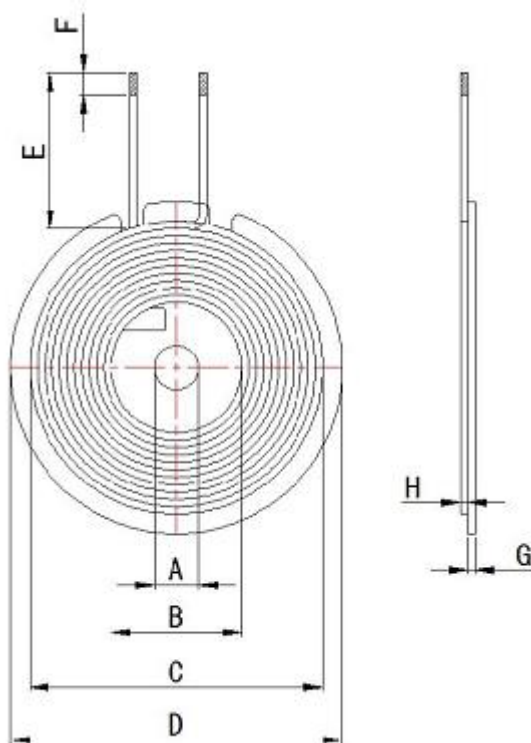
<b>PREPARED BY</b>	<b>CHECKED BY</b>	<b>APPROVED BY</b>	<b>CUSTOMER APPROVE</b>

**ADD: Building 2, No. 1, Xinyang Road, Lincun Village, Tangxia Town, Dongguan City**

Dongguanyuyao electronic technology co. LTD  
**SPECIFICATION APPROVAL**

CUSTOMER S NAME		CUSTOMER S P/N	Magnetic wireless charging TX coil
ISSUE DATE	2022. 10. 28	PRODUCT SPEC	0.08*24P*2P-6.5UH

1. MECHANICAL DIMENSIONS(UNIT:MM)



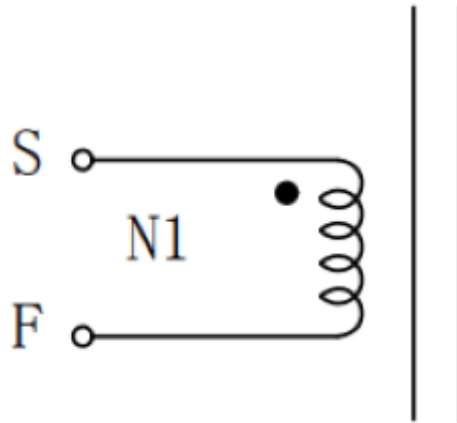
A	B	C	D	E	F	G	H	I	J
5.4±0.1	20.5±0.1	40.5±0.5	43.6±0.1	12±1	3±1	0.8±0.05	1.6±0.1		
K	L	M	N	O	P	Q	R	S	T

ISSUE BY		CHECK BY		APPROVAL BY	
----------	--	----------	--	-------------	--

Dongguanyuyao electronic technology co. LTD  
**SPECIFICATION APPROVAL**

CUSTOMER S NAME		CUSTOMER S P/N	Magnetic wireless charging TX coil
ISSUE DATE	2022.10.28	PRODUCT SPEC	0.08*24P*2P-6.5UH

2. SCHEMATIC



3. WINDING SPECIFICATION

NO	S	F	WIRE	TURNS	TUBE	INSULATION TAPE	WINDING DIRECTION
N1	S	F	0.08*24P*2P	10TS		NA	anti-clockwise

4. ELECTRICAL REQUIREMENTS & TEST CONDITIONAL

TEST CONDITION:TEMPERATURE AT 25°C, HUMIDITY AT65±5% RH				
NO	PARAMETER	TERMINAL	SPCIFICATION	TEST INSTRUMENTS
1	INDUCTANCE	S-F	6.5UH±5%	100KHZ, 1V CHROMA3250 or EQUAL
2	DCR	S-F	80mΩ MAX	1KHZ, 1V CHROMA3250 or EQUAL
3	Q 值	S-F	25MIN	100KHZ, 1V CHROMA3250 or EQUAL

ISSUE BY		CHECK BY		APPROVAL BY	
----------	--	----------	--	-------------	--

Dongguanyuyao electronic technology co. LTD  
**SPECIFICATION APPROVAL**

CUSTOMER S NAME		CUSTOMER S P/N	Magnetic wireless charging TX coil
ISSUE DATE	2022.10.28	PRODUCT SPEC	0.08*24P*2P-6.5UH

5. PRODUCT PICTURE

