

SPEC NO.	SP03AC24500-0290	ISSUED DATE	2022.08.05	PUBLISHED BY
PRODUCT NAME	EDBAJ0A0	VERSION	03	
		PAGE	2/5	

CIROCOMM TECHNOLOGY .

PART NUMBER: 43N15C6V0W0010T

1.0 SCOPE

Cirocomm's customized **External Dual-Band Antenna**.

2.0 Name of the product

This product is named "**External Dual-Band Antenna**".

3.0 Electrical characteristics

3.1 Electrical characteristics of antenna

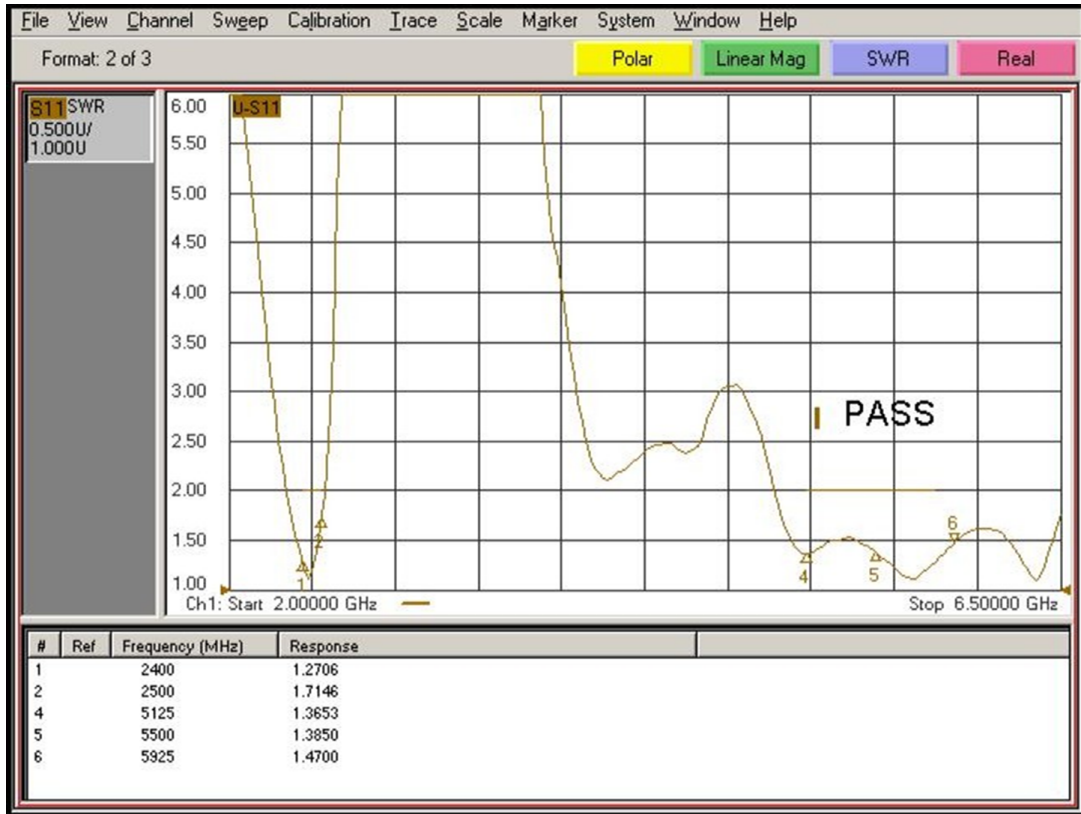
The antenna has the electrical characteristics given in Table 1 under the *cirocomm* standard installation conditions.

Table 1

No.	Parameter	Specification
1	Work Frequency	2400~2500 MHz 5150~5925 MHz
2	V.S.W.R.	≤2.0
3	Peak Gain	4.0dBi / 2400~2500MHz 5.0dBi / 5150~5925MHz
4	Radiation pattern	Omni-Directional
5	Polarization	Linear
6	Output impedance	50 Ω
7	Connector Type	RP-SMA (M)
8	Color	Black
9	Antenna Type	Dipole

SPEC NO.	SP03AC24500-0290	ISSUED DATE	2022.08.05	PUBLISHED BY
PRODUCT NAME	EDBAJ0A0	VERSION	03	
		PAGE	3/5	

3.2 S11

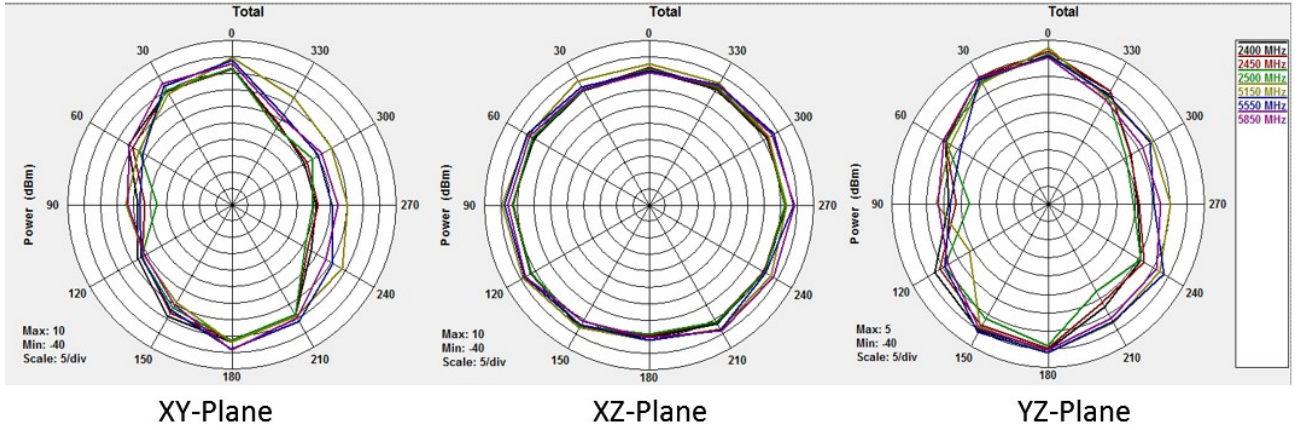


3.3 3D and 2D Radiation Pattern:

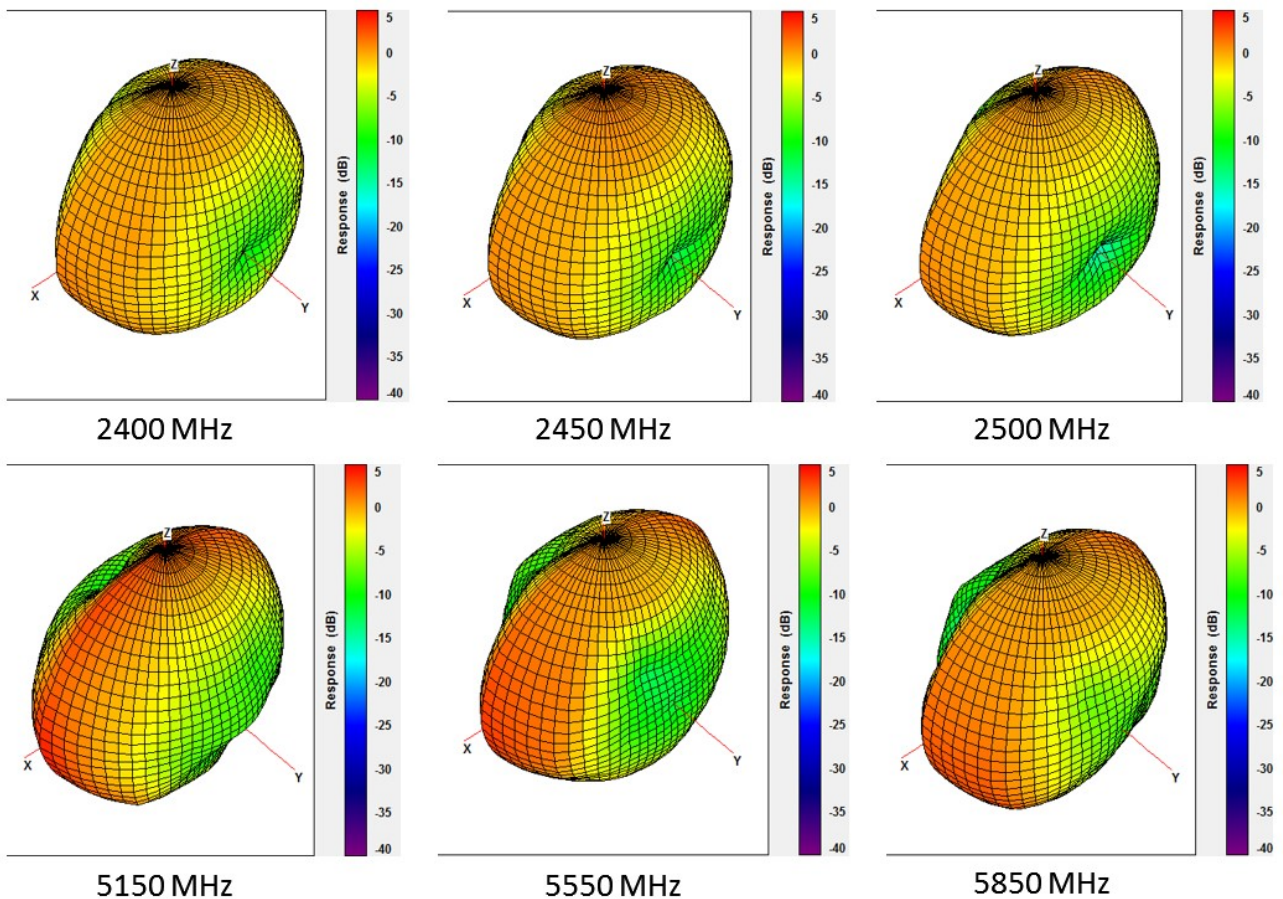


SPEC NO.	SP03AC24500-0290	ISSUED DATE	2022.08.05	PUBLISHED BY
PRODUCT NAME	EDBAJ0A0	VERSION	03	
		PAGE	4/5	

2D Pattern

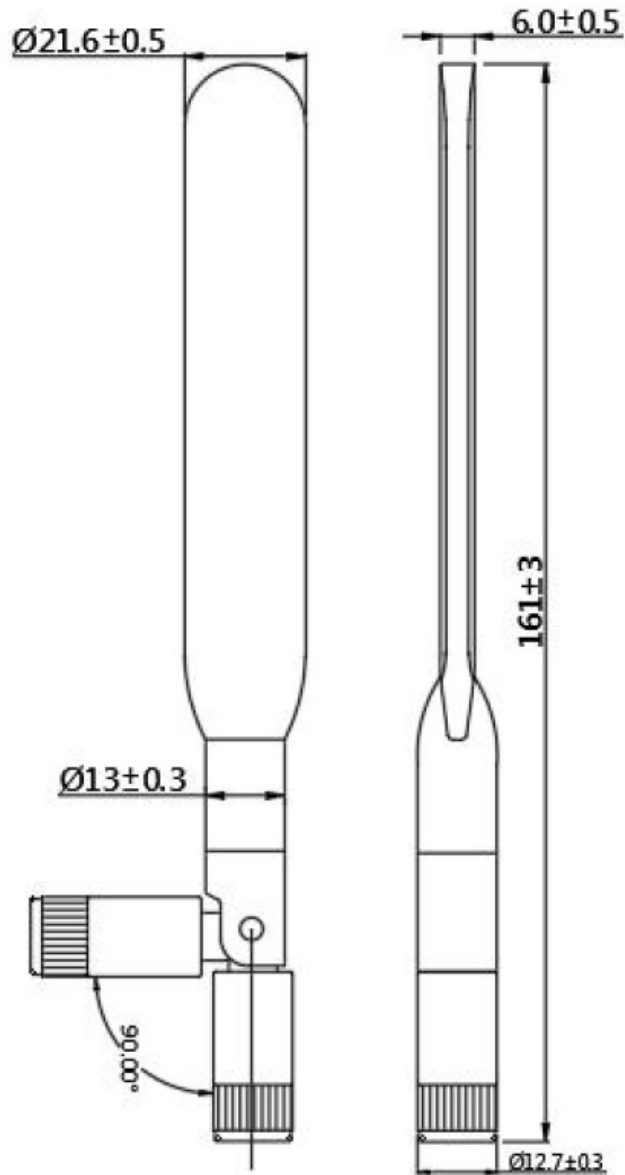


3D Pattern



SPEC NO.	SP03AC24500-0290	ISSUED DATE	2022.08.05	PUBLISHED BY
PRODUCT NAME	EDBAJ0A0	VERSION	03	
		PAGE	5/5	

4.0 ME drawing:



Unit: mm