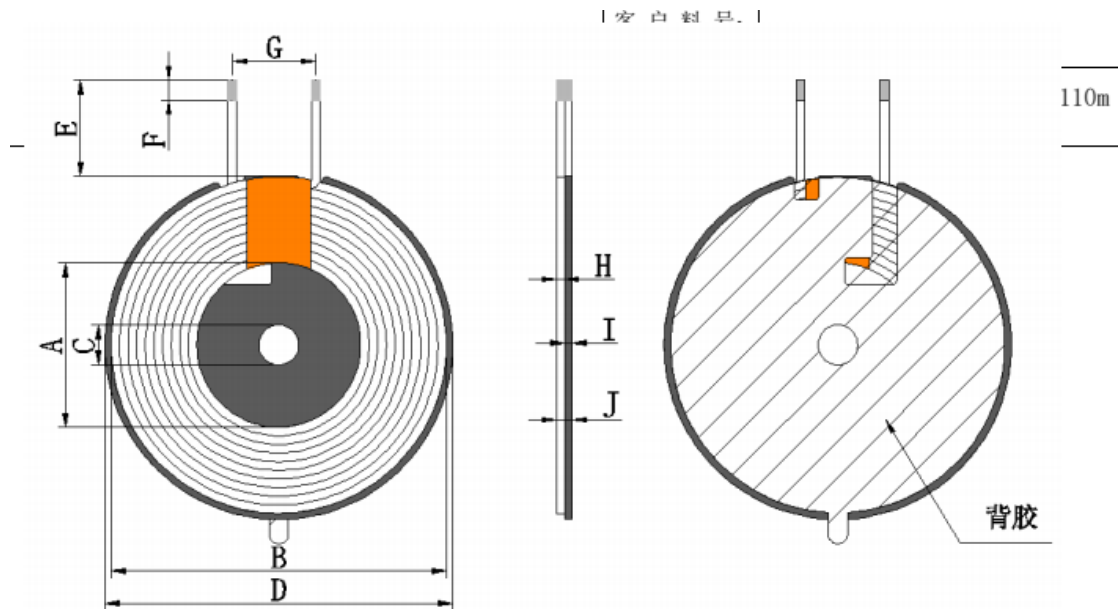


Antenna Specifications

1. Model number: 20.5*42*0.08*105P*10TS*110mm
2. Manufacture: DONGGUAN KIMCHEN INDUSTRY INTL LIMITED
- 3.



| A | B | C | D | E | F | G | H | I | J |
|----------|------|---------|----------|-------|-----|------|---------|---------|--------|
| 20.5±0.5 | 42±1 | 5.0±0.5 | 43.5±0.5 | 110±3 | 3±1 | 10±2 | 1.25max | 1.0±0.1 | 2.8max |

4. Product parameters

Antenna Gain: 0dBi

Line diameter: 0.08*105P

Number of turns: 10

