

# Instruction Manual

ZeroLemon ToughJuice 3000mAh USB C  
Wireless External Battery



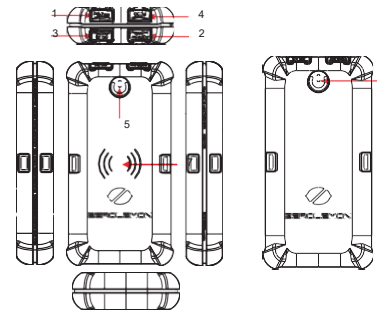
## 3000mAh USB C Wireless External Battery



### User Manual

Thank you for purchasing our product. To ensure optimal performance and safety, please read the following instructions carefully before operating this product. Please keep this manual for future reference.

### Functional Introduction



| Product Part | Operation                     |  |
|--------------|-------------------------------|--|
| 1&2          | Type C Inputs                 | PD 18W   |
| 1&2          | Type C Outputs                | PD 22.5W(MAX)  |
| 3&4          | USB A Outputs                 | QC 3.0   |
| 5&6          | Power Button<br>LED Indicator | Click once to start wireless charging and display the current power level.                                       |
| 7            | Wireless Charging             | Make sure you press the power button once and make sure the device is aligned with the center of the power bank. |

### Product Features

- High capacity of 3000mAh. Support
- dual inputs at the same time.
- Wireless charging supports all Qi-enabled phones and Qi-enabled earphone cases.
- Five charging outputs enable the external battery to charge 5 devices simultaneously.
- Smart LED Display shows remaining power.

### Specifications

- Battery Type: Li-Ion battery
  - Capacity: 3000 mAh/114Wh
  - Input: Type-C 1& Type-C 2:DC 5V-9V/2A(MAX)
  - Output:
    - 🔥 QC 3.0 (The Blue Port): DC 5V-9V/2A(MAX)
    - 🔥 Type-C Output: DC 5V/3A 9V/2.5A(MAX)
    - 🔥 Wireless Output: DC 5V/1A 9V/1.1A(MAX)
- Weight: 640.8g(22.6 ounces)  
Product Dimension: 7.06\*3.60\*1.29 in

### How to Use the External Battery?

1. Charge your Devices with a Cable: For a cable charging, any connected devices will be automatically recognized
2. Charge your Devices Wirelessly: Press the power button once to activate the wireless charging mode, put the device on center of the wireless charging panel.

### How to Charge the External Battery?

1. To ensure optimal performance and user safety, only use an official cellphone charger or ZeroLemon authorized charger when charging.
2. It takes about 4-5 hours to fully charge the external battery when you use two 18W USB C PD chargers to charge it; It takes about 7-8 hours to fully charge the external battery when you use one 18W USB C PD charger to charge it.
3. The LED indicator will flash while the external battery is being charged. It will be fully charged when all the LED lights are fully lit and no longer flashing. To avoid overcharging, please stop charging once the LEDs are fully lit.

### How to Test Remaining Power?

| Capacity (●ON ○OFF ◐FLASH) | LED Light Status |
|----------------------------|------------------|
| 100%                       | ●●●●●            |
| 75%~100%                   | ●●●flash         |
| 50%~75%                    | ●●flash ○        |
| 25%~50%                    | ●flash ○○        |
| 0~25%                      | ○ ○ ○ ○ ○        |

### How to Charge your Devices?

1. To activate the wireless charging mode, please press the power button once. For any cable charging, there is no need to press the power button as any cable connected devices will be automatically recognized.
2. Only use the supplied charging cable or your phone's charging cable when charging.
3. Disconnect your phone/tablet from the external battery when charging is completed.

### Caution

1. Keep the external battery away from high temperatures.
2. Do not disassemble the external battery.
3. Recharge the battery at least once every month to maintain optimal performance.
4. For optimal use and user safety, use only an official phone charger or ZeroLemon charger to recharge.
5. Keep the battery away from metallic objects.
6. Do not crush the battery.

### Package Contents

- 1 x User Manual
- 1 x USB C to C Charging Cable
- 1 x 3000mAh External Battery

### Warranty and 100% ZeroLemon Guarantee

This product is covered by our 12-Month ZeroLemon Warranty. Customer satisfaction is always our #1 priority. If your product is not working as it should or if you would like to return it to us for any reason, please let us know by contacting us at [info@zerolemon.com](mailto:info@zerolemon.com) or 1-415-685-4343. We promise to deliver only the best quality products and offer 100% customer satisfaction.

Subscribe to us  
for more deals and news!



Sales Inquiry: [sales@zerolemon.com](mailto:sales@zerolemon.com)  
Designed by ZeroLemon, LLC in USA  
Made in China  
Copyright 2020 ZeroLemon, LLC All Rights Reserved.  
All names, brands, logos, and/or trademarks used in this publication are property of their respective owners.

Wireless Power Bank cannot be used as a mobile phone battery.

[www.zerolemon.com](http://www.zerolemon.com)

## **FCC STATEMENT :**

This device complies with Part 15 of the FCC Rules. Operation is subject to the following two conditions:

- (1) This device may not cause harmful interference, and
- (2) This device must accept any interference received, including interference that may cause undesired operation.

**Warning:** Changes or modifications not expressly approved by the party responsible for compliance could void the user's authority to operate the equipment.

NOTE: This equipment has been tested and found to comply with the limits for a Class B digital device, pursuant to Part 15 of the FCC Rules. These limits are designed to provide reasonable protection against harmful interference in a residential installation. This equipment generates uses and can radiate radio frequency energy and, if not installed and used in accordance with the instructions, may cause harmful interference to radio communications. However, there is no guarantee that interference will not occur in a particular installation. If this equipment does cause harmful interference to radio or television reception, which can be determined by turning the equipment off and on, the user is encouraged to try to correct the interference by one or more of the following measures:

- Reorient or relocate the receiving antenna.

- Increase the separation between the equipment and receiver.

- Connect the equipment into an outlet on a circuit different from that to which the receiver is connected.

- Consult the dealer or an experienced radio/TV technician for help.

## **FCC Radiation Exposure Statement:**

This equipment complies with FCC radiation exposure limits set forth for an uncontrolled environment. This equipment should be installed and operated with minimum distance 20cm between the radiator & your body.