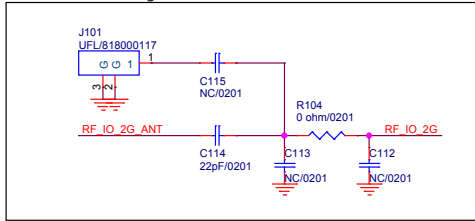


### RF Matching

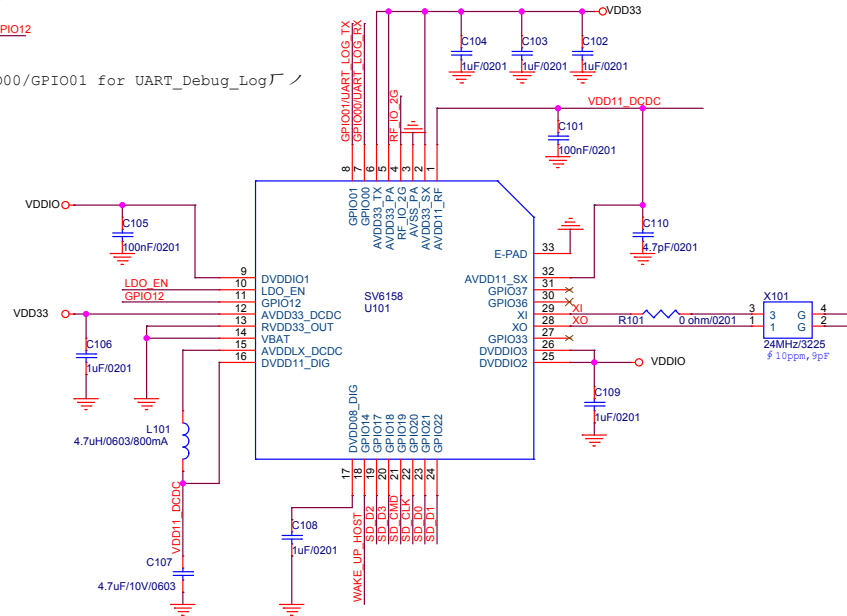
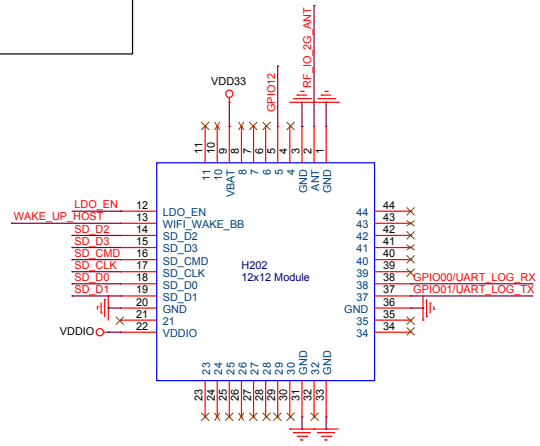
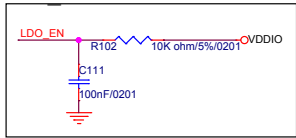


|            |             |
|------------|-------------|
| Boot strap | GPIO12      |
| SDIO       | 0 (default) |
| SPIDATA    | 1           |

VDDIO - R105 NC/10K/5%/0201 GPIO12

GPIO00/GPIO01 for UART\_Debug\_Log

### LDO EN



**南方硅谷**  
**iCOMMSEMI**

|       |  |
|-------|--|
| Title | SV6158-MB-V1.0                           |
| Size  | Document Number                          |
| B     | <Doc>                                    |
| Date: | Thursday, November 26, 2020 Sheet 1 of 1 |