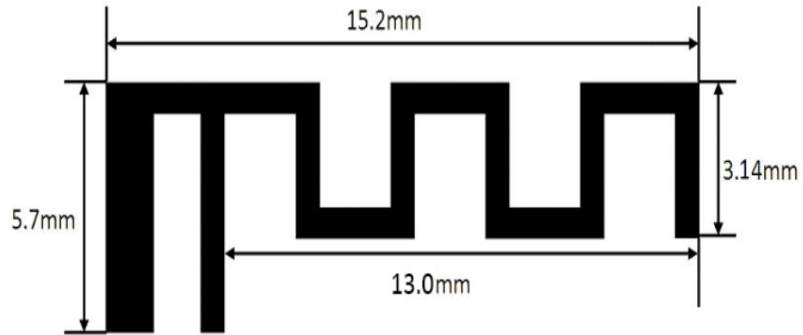


Onboard Antenna Specifications

1. Detailed dimensions and specifications of the onboard antenna:



2. Features

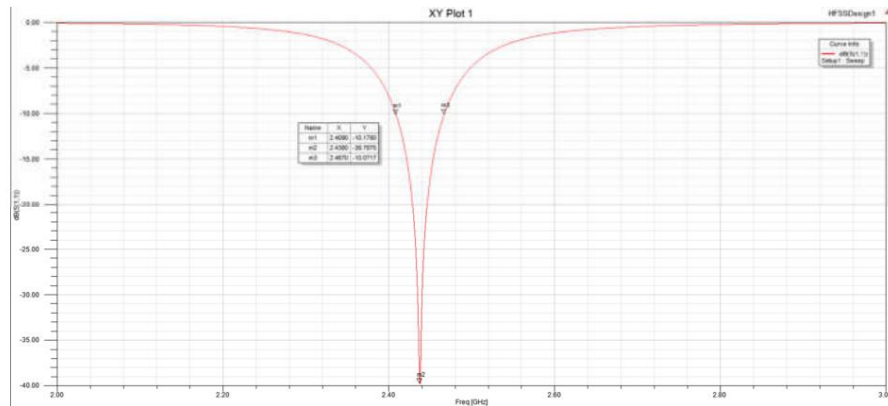
• 50 ohm impedance

• Maximum gain: 1.3dBi

• Works in 2.4GHz band

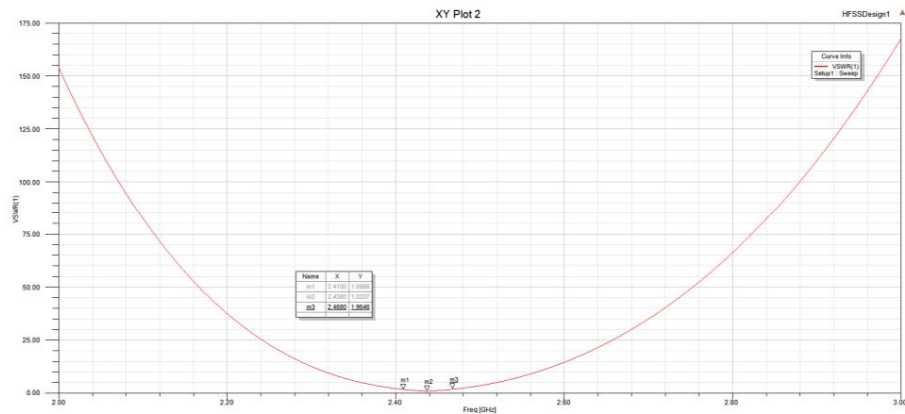
• 10dB working bandwidth: 58MHz

• center band S11: -39.8dB@2.438GHz

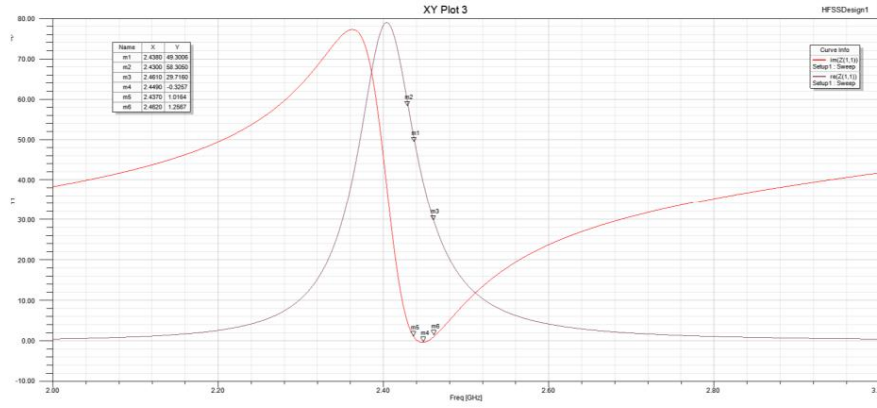


4. Antenna impedance and

• VSWR Center frequency VSWR: 1.02@2.438GHz

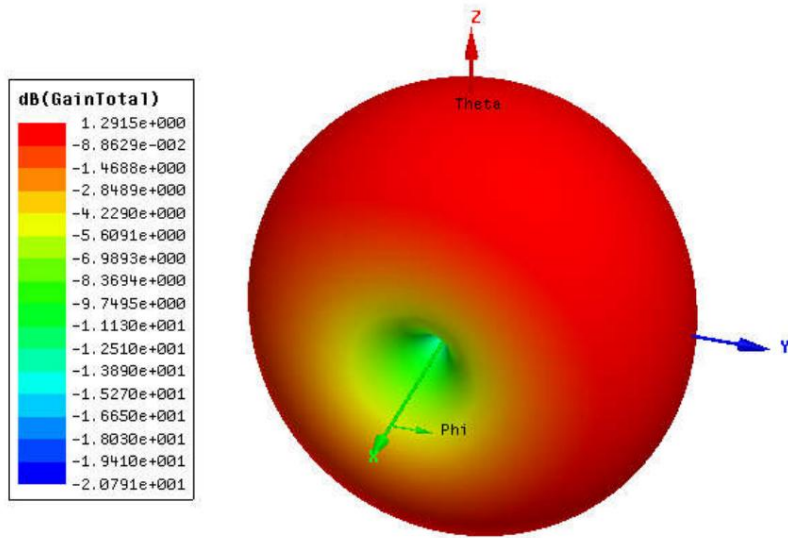


• Center frequency impedance: 50 ohms @ 2.438GHz



5. Antenna gain

Maximum directional gain: 1.29dBi



Side E:

