

Antena Test Report



顺达成科技



专业的4G/3G/GPS/WIFI等天线方案设计及供应商

Customer Name: Yilian Internet of Things

Customer Project Name: BT15

Band: BT

Version: A

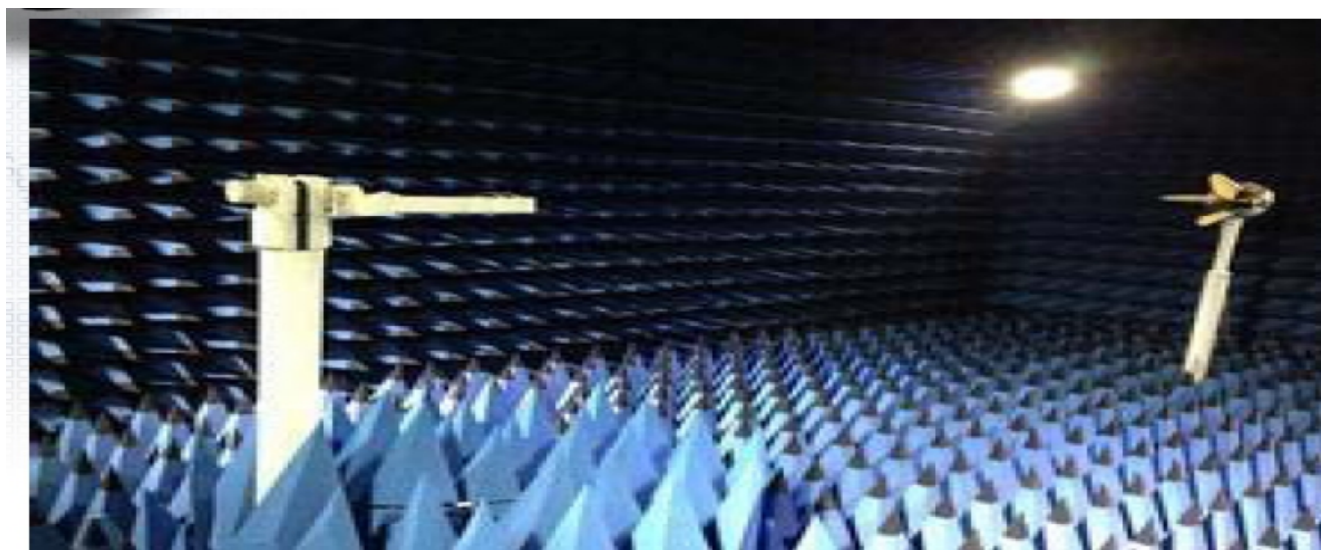
Date: 2024-9-25

Test system



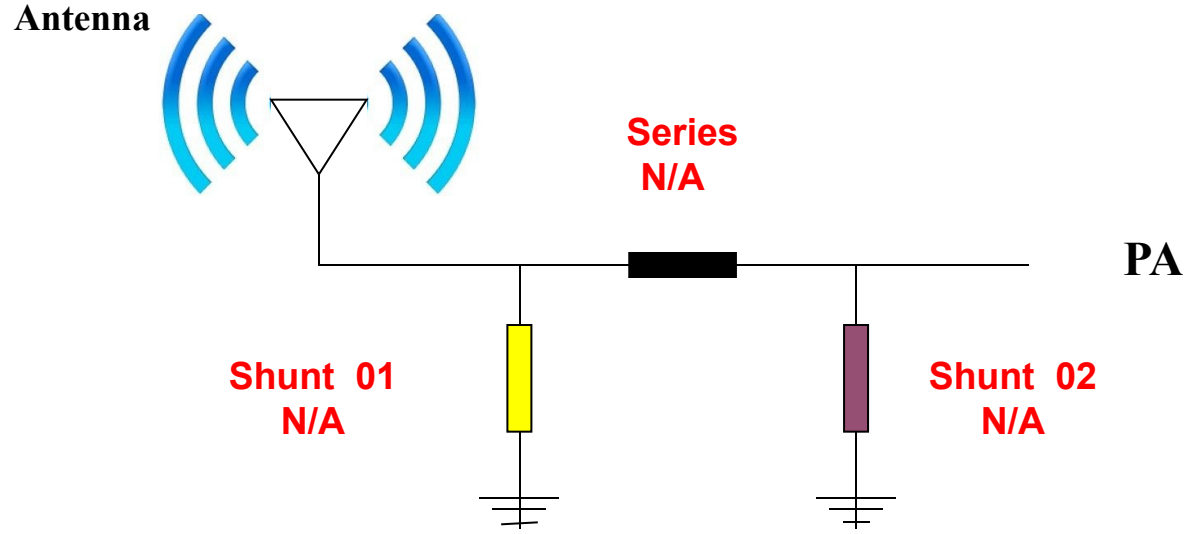
顺达成科技

Sequence Number	Test Item	equipment
S parameter	VSWR	Agilent 5071C & Agilent 5062A
OTA Test	TRP&TIS	Agilent 8960 E5515C& Agilent 4438C&CMW500 &CMW270 ETS&SATIMO
Gain & Efficiency	Gain & Efficiency	ETS&SATIMO Agilent 5071C



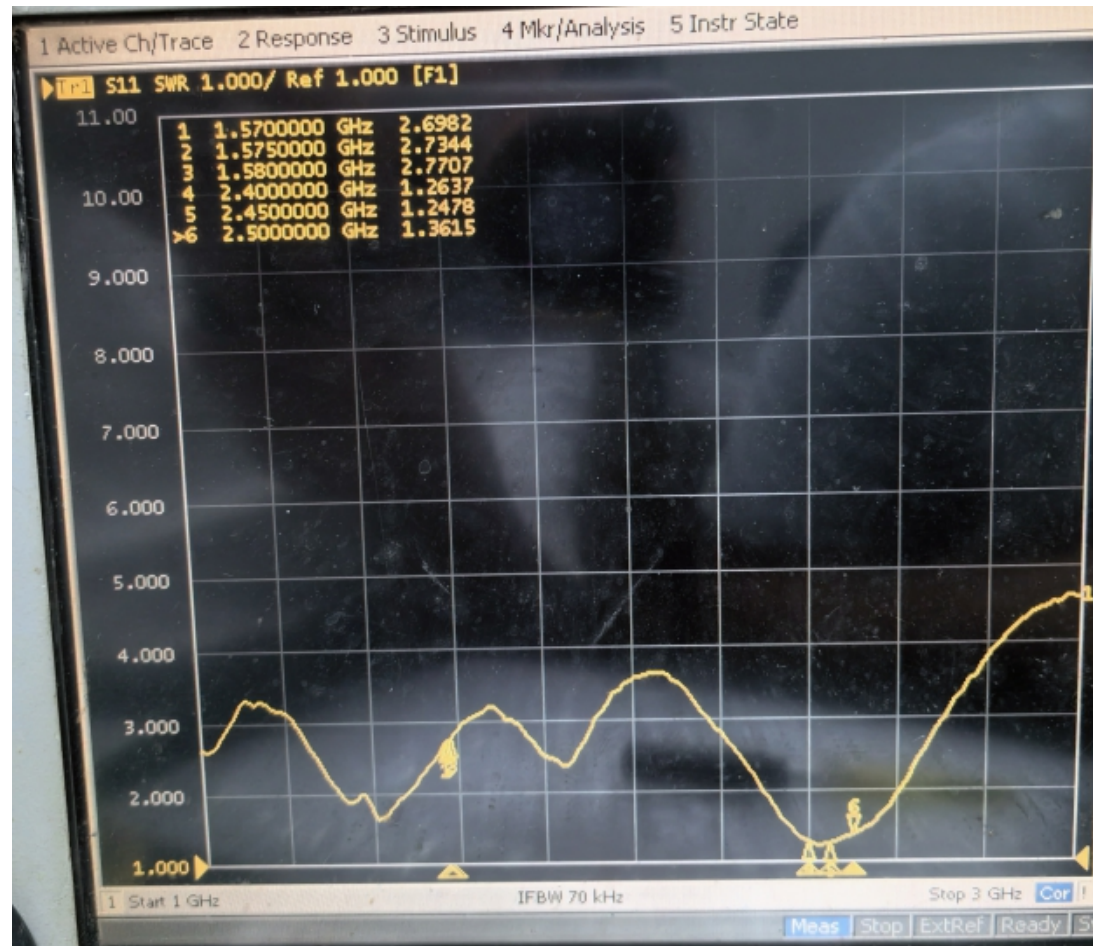
The matching circuit has been modified

Antenna Matching Network



Location	Description
Shunt 01	1PF
Series	3.3NH
Shunt 02	N/A

S11 Smith/Log Mag/SWR



频率 (MHZ)	2400	2450	2500
驻波比 (SWR)	1.26	1.24	1.36

Gain & Efficiency

Frequency (MHz)	Efficiency (%)	Peak GAIN (dBi)
2400	32.67	0.34
2450	35.83	0.51
2500	32.41	0.41

