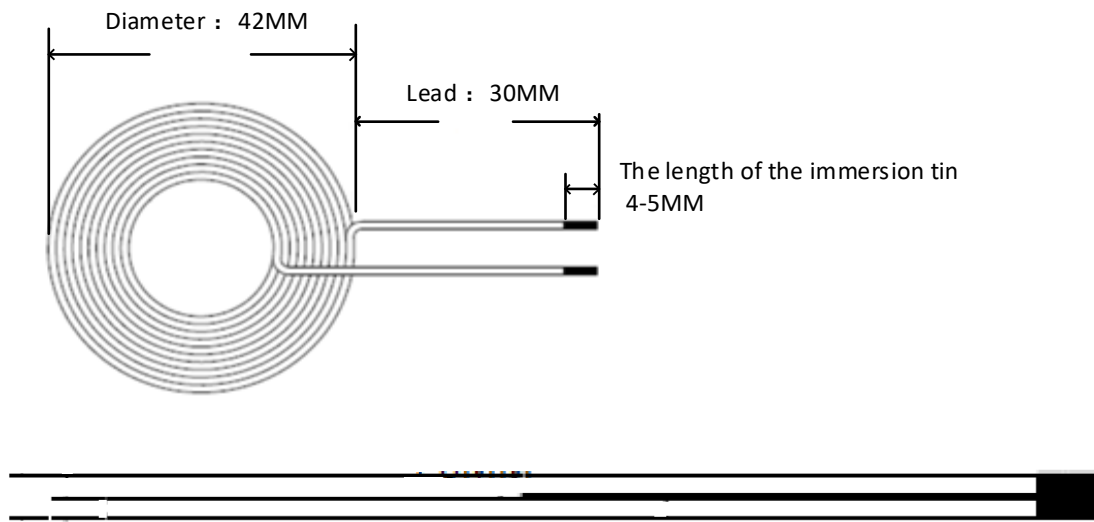
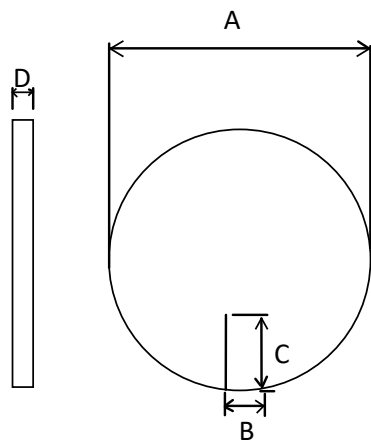


The Part name: Coil



Inductance : 6.3uH +/- 10%  
Number of turns : 10TS  
Resistance: 27mΩ  
Test conditions : 100KHz,1.V  
Wire diameter of silk copper wire: 0.08\*1.05

The Part name: Magnetic sheet



The material: PC95  
A: Diameter 50MM±0.5MM  
B: Slot diameter 2.5MM± 0.3MM  
C: Slot length 15.5± 0.5MM  
D: Magnetic sheet thickness 1.0± 0.5MM