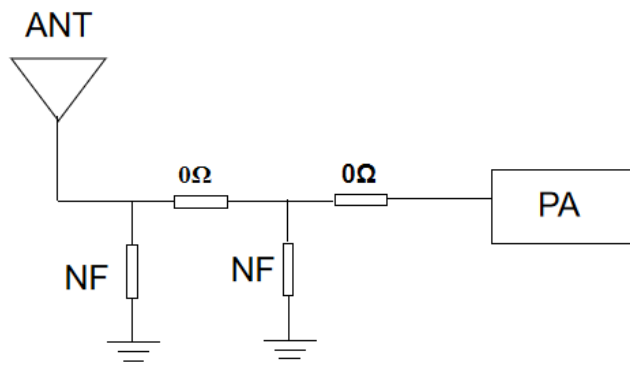


Antenna acknowledgment

Applicable model	X01B		
client			
Specification description			
	Product content	specifications	Customer material code
Specification description	antenna		/
Change the resume			
order number	date	edition	Change the content brief
1	2024-10-19	V1.0	New projects
2			
3			

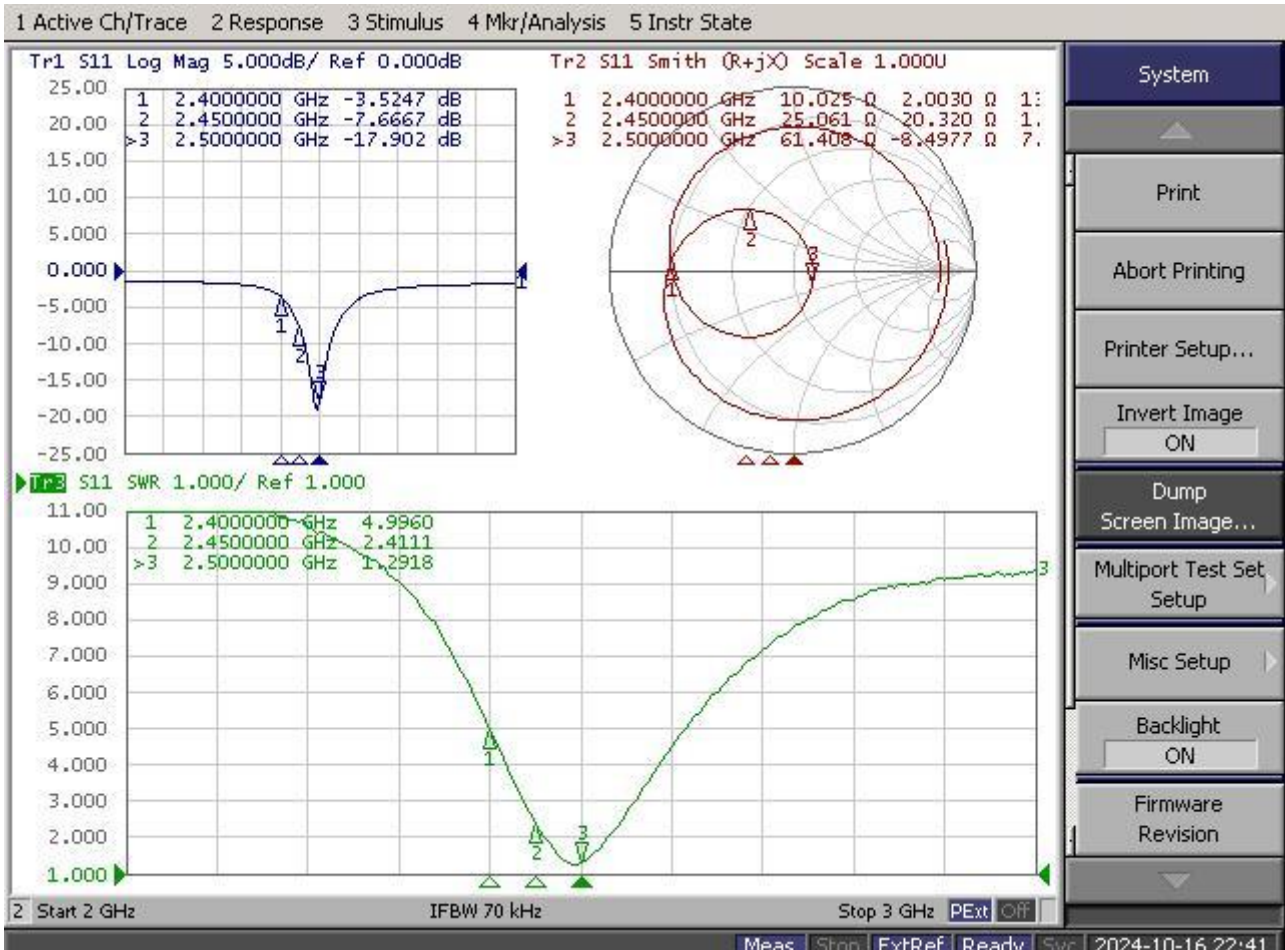
Supplier Sample Confirmation					
research and development	structure	examine and verify	judge		
			PASS <input checked="" type="checkbox"/> FAIL <input type="checkbox"/>		
Customer sample confirmation					
electron	structure	project	purchase	character	examine and verify
Reason for rejection or other precautions:					

1、 Matching circuit-antenna



No changes in the matching circuit

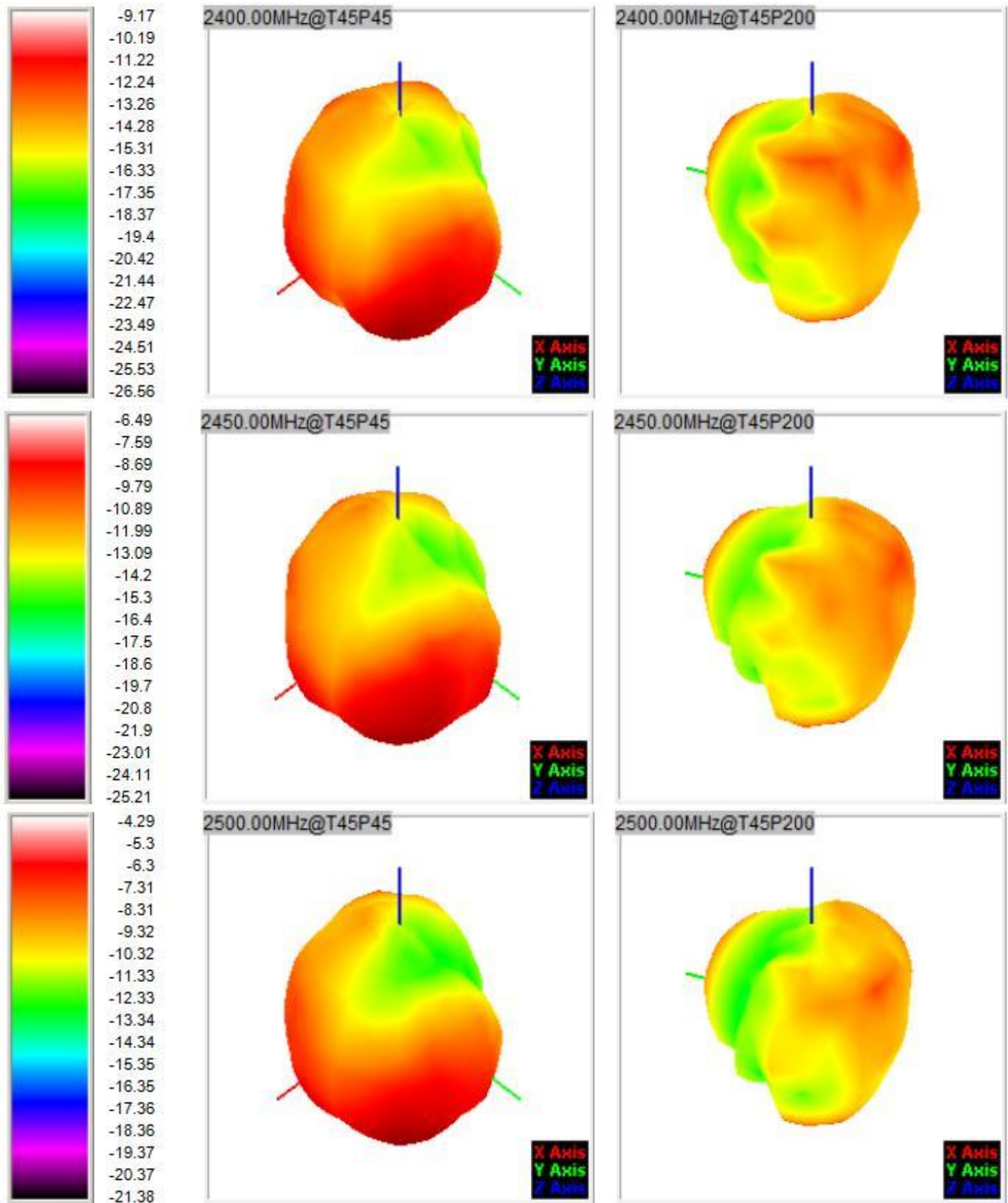
2、 Passive-SWR



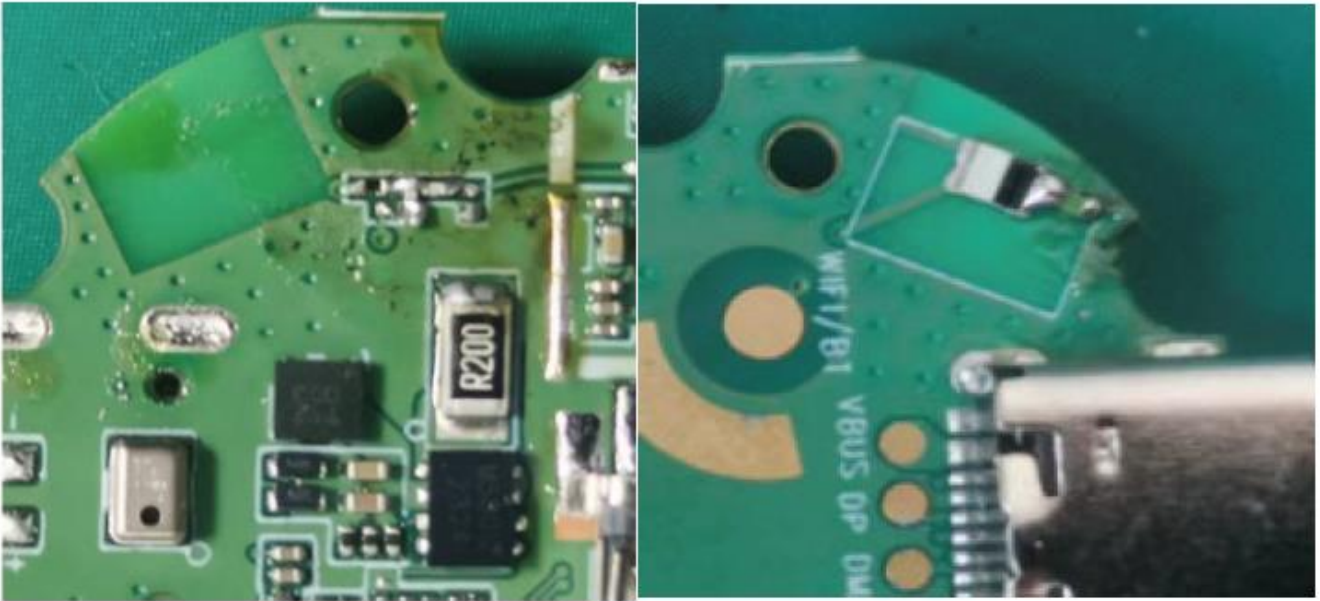
3、Passive-Efficiency / Gain

FETUKEJI											
Frequency ID	1	2	3	4	5	6	7	8	9	10	11
Frequency (MHz)	2400.0	2410.0	2420.0	2430.0	2440.0	2450.0	2460.0	2470.0	2480.0	2490.0	2500.0
Point Values											
Ant. Port Input Pwr. (dBm)	0.00	0.00	0.00	0.00	0.00	0.00	0.00	0.00	0.00	0.00	0.00
Tot. Rad. Pwr. (dBm)	-14.53	-14.04	-13.54	-12.95	-12.37	-11.68	-11.05	-10.67	-10.38	-10.12	-10.00
Peak EIRP (dBm)	-9.17	-8.65	-8.17	-7.68	-7.18	-6.49	-5.85	-5.45	-5.10	-4.66	-4.29
Directivity (dBi)	5.36	5.39	5.37	5.28	5.19	5.20	5.20	5.22	5.28	5.45	5.71
Efficiency (dB)	-14.53	-14.04	-13.54	-12.95	-12.37	-11.68	-11.05	-10.67	-10.38	-10.12	-10.00
Efficiency (%)	3.50	3.90	4.40	5.10	5.80	6.80	7.90	8.60	9.20	9.70	10.00
Gain (dBi)	-9.17	-8.65	-8.17	-7.68	-7.18	-6.49	-5.85	-5.45	-5.10	-4.66	-4.29
NHPRP \pm Pi/4 (dBm)	-15.91	-15.40	-14.89	-14.28	-13.67	-12.95	-12.28	-11.87	-11.55	-11.28	-11.15
NHPRP \pm Pi/6 (dBm)	-17.37	-16.83	-16.30	-15.67	-15.06	-14.34	-13.68	-13.27	-12.96	-12.69	-12.56
NHPRP \pm Pi/8 (dBm)	-18.46	-17.91	-17.35	-16.72	-16.10	-15.39	-14.74	-14.35	-14.04	-13.76	-13.62
Upper Hem. PRP (dBm)	-17.95	-17.45	-16.97	-16.41	-15.83	-15.15	-14.52	-14.15	-13.88	-13.66	-13.57
Lower Hem. PRP (dBm)	-17.16	-16.68	-16.16	-15.56	-14.97	-14.28	-13.64	-13.26	-12.94	-12.66	-12.52
Upper Hem. PRP (%)	1.60	1.80	2.01	2.29	2.61	3.05	3.53	3.84	4.09	4.31	4.40
Lower Hem. PRP (%)	1.92	2.15	2.42	2.78	3.19	3.74	4.32	4.73	5.08	5.42	5.60

4、Passive-3D Pattern



5、Antenna placement method



Manufacturer: Shenzhen Tuob Education Electronic Multimedia Co., Ltd

Address: Building B2, Tongfu Industrial Park, Heping Road, Bao'an District, Shenzhen, Tuobu Industrial 401