

电性测试报告

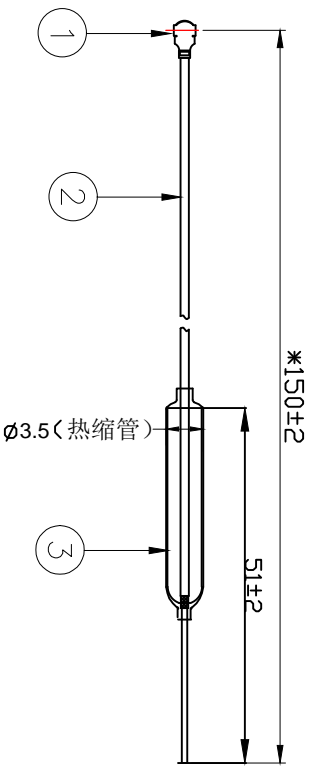
Test Reports

Electrical Properties	
Frequency	2.4 - 2.5 GHz
Impedance	50 Ohm Nominal
V.S.W.R	<= 2.0 Max
Return Loss	-10 dB Max
Radiation	Omni-directional
Gain (Peak)	3.0dBi
Cable Loss	3.2 dB / m Max @ 2450 MHz
Polarization	Linear, Vertical
Admitted Power	1 W
Connector	ipex
Physical Properties	
Antenna Material	CU
Cable Type	O.D. 1.13mm // 150 mm
Operating Temp.	-10 ~ +60 °C
Storage Temp.	-10 ~ +70 °C
Cable Color	Black

ADD : 东莞市虎门镇大宁麒麟东路6号

Tel:15818375487

SIGN	DATE	DESCRIPTION	APPROVER
△			
△			
△			



3	NB080	CU	I È *24.5mm	1
2	R-CB-113B	Coaxial Cable	SHOWA-O.D. 1.13mm Black	1
1	CI-113	Connector	Mini Connector	1
No.	Part Number	Name	Material	Q'ty

东莞市创捷电子有限公司

TITLE: 2.4GHz Antenna

PART NO.: NB080-13B-1X150 DWG NAME: NB080-13B-1X150.DWG

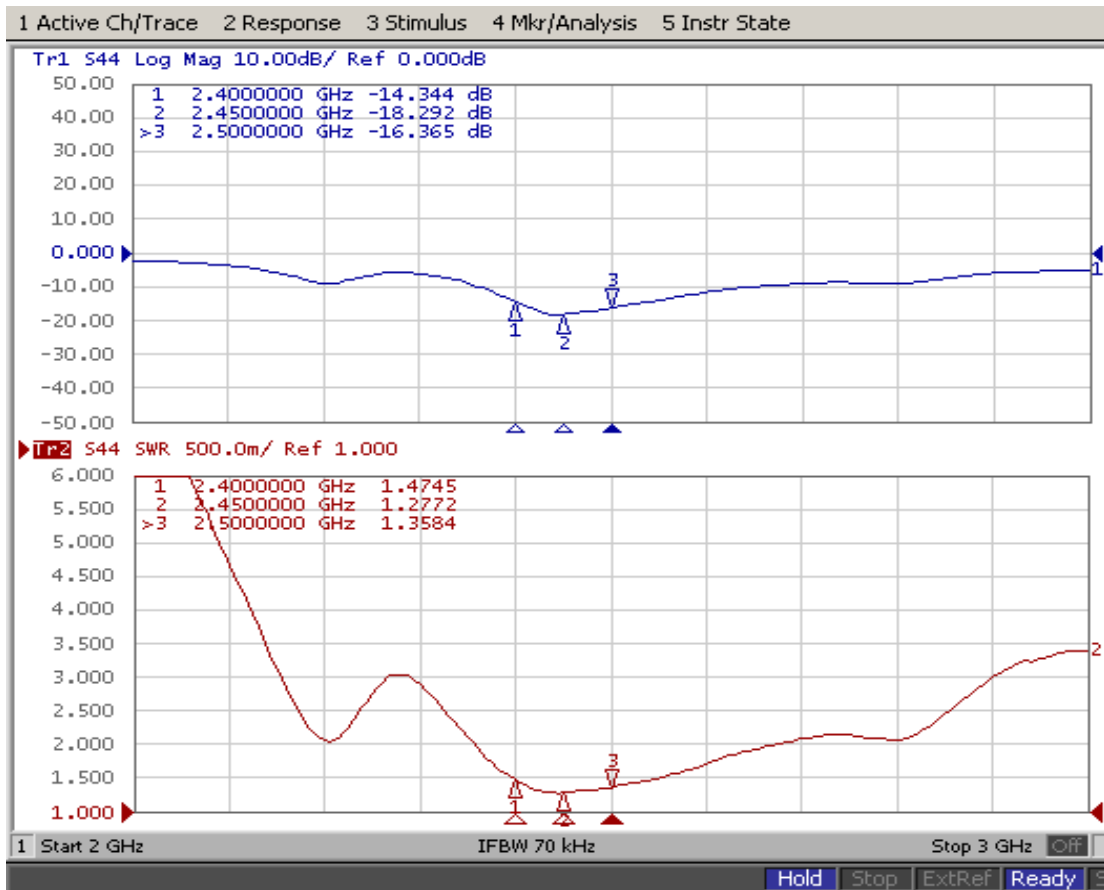
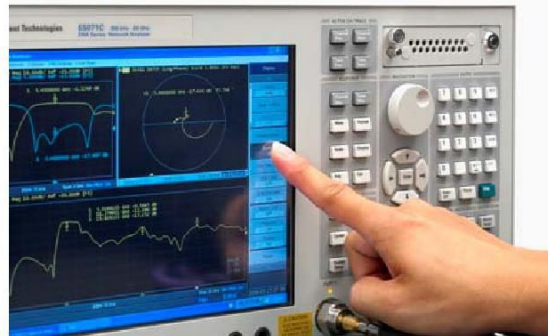
APPROVED BY	CHECKED BY	DESIGNED BY	UNITS: mm	Tolerance
jeff 2014-02-26	leon 2014-02-26	YD 2014-02-26	SCALE: 1/1	YD YD YD
			REVISION: A	YD YD YD

Tel:86-0769-33891210
Fax:86-0769-82381572

S 参数测试

S Parameter Test

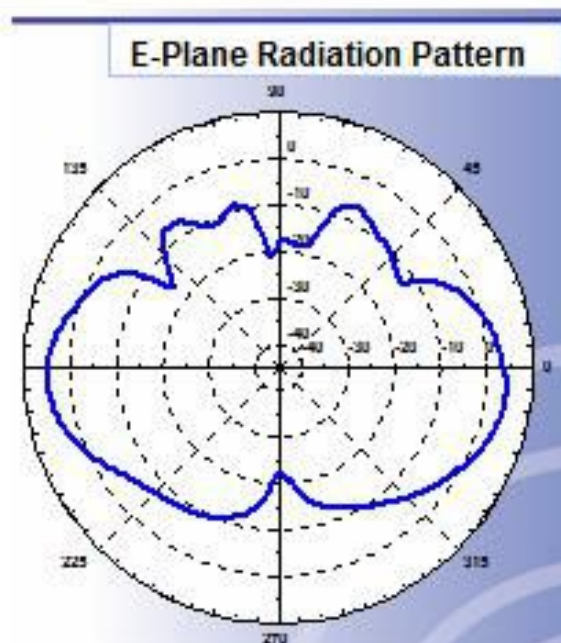
Agilent E5071C



增益测试

Gain Test

*Antenna
Radiation
Pattern
VS
Gain*



Frequency:2440MHz
Max. Gain:3dBi