

ROSSETTA

Galaxy Projector



User's Guide

Model: Star Projector-RT003

Please ONLY use
manufacturer-provided
USB cord.

TABLE OF CONTENTS

Introduction 1

Before You Begin..... 1

Packing List..... 1

Setting Up the Star Projector..... 2

Notice 2

Product Features..... 2

Remote Control Description 3

Default Settings..... 5

Installation Tips 5

Product Specifications..... 5

Rossetta Limited Warranty..... 6

Caution..... 6

Cleaning Instructions..... 6

Disposal..... 6

Rossetta Customer Support..... 7

INTRODUCTION

Thank you for purchasing the Rossetta Star Projector. This product is a unique indoor light projector that uses star light and holographic technology to project thousands of moving pin-points of light against a transforming ambient lights. Sleep under the stars, create a romantic starlit dinner, or take your home entertainment center to the next level. We hope you enjoy this incredibly unique lighting experience.

Each unit provides up to 25 x 25 ft of coverage. It has maximum electrical usage of less than 10 Watts and operates in temperatures between -4°F to 113°F (-20°C to 45°C).

BEFORE YOU BEGIN

Immediately upon receiving the star projector, carefully unpack and check the carton contents to ensure that all parts are present and in good condition. Notify the retailer immediately and retain packing material for inspection if any parts appear damaged from shipping or the carton itself shows signs of mishandling. Save the carton and all packing materials. In the event that the star projector must be returned, it is important that the light projector be returned in the original factory box. Please see packing list below for box contents.

PACKING LIST:

- 1) Galaxy Projector
- 2) USB-C Power Cord
- 3) Remote Control
- 4) User Manual



Please note: Included USB-C cable may vary from picture shown.

SETTING UP THE STAR PROJECTOR

1. Remove the protective film from the LED bulb.
2. Place the Rossetta Star Projector on a flat, solid surface, aiming at the ceiling/wall needed for projection.
3. Use the USB C cable (included) to connect the projector to a USB power adapter (not included). Ensure using a 5V/2A power adapter, otherwise the projector might not work properly.
4. The projector will turn on after connected to power. The ambient lights and stars will gradually illuminate and begin moving by default.
5. To turn off the projector, press the power button on the remote and unplug from the power outlet.
6. Use the following buttons to control lighting effects or night lights:



Power button
Power on/off



SINGLE Button
Control ambient lighting colors



MODE Button
Ambient lights & stars,
Ambient lights only,
Stars only



Night Light Button
Change the night light colors

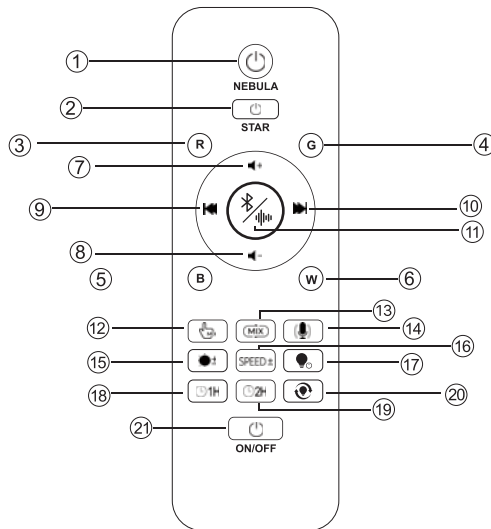
NOTICE

1. The star color is green and cannot be changed.
2. The remote only works within 30ft range. Please point the remote control directly to the projector, away from the TV.
3. The projector must be plugged into work, it doesn't have a built-in battery and can't charge.
4. The projector will automatically turn off after 8 hours to prevent bulb overheating.
5. Please use the included USB C power cable to connect the projector, otherwise the projector may not work properly.

PRODUCT FEATURES

1. Nebula Lighting Effects: Switch 4 single or 10 mix color lighting effects through the remote.
2. Built-in Bluetooth 5.2 Speaker: You can connect your cell phone Bluetooth to play music, including iPhone, Samsung, Fire Tablet and more smartphones.
3. Sound Activated Mode: Press the "Mic" button to turn on the sound activated function, the projection light will flash quickly according to the external sound or music rhythm.
4. Night Light Mode: Control the ring night light by remote control or device buttons.
5. 10 White Noise Sounds: Built-in popular 10 soothing sounds to help you relieve stress or fall asleep quickly.

REMOTE CONTROL FUNCTION DESCRIPTION



- ① Ambient Lights Switch: Control the ambient lights switch on/off
- ② Laser Switch: Control the star switch on/off
- ③ Press "R" , red light on; press again, red light off (at basic of light on at first time)
- ④ Press "G", green light on; press again , green light off (at basic of light on at first time)
- ⑤ Press "B" , blue light on; press again, blue light off (at basic of light on at first time)
- ⑥ Press "W", white light on; press again, white light off (at basic of light on at first time)
- ⑦ Volume + ⑧ Volume - ⑨ Previous Song ⑩ Next Song
- ⑪ Bluetooth/Music Switch: Control the Bluetooth or White Noise switch on/off
- ⑫ Manually control the mixed color ambient lights to switch between RGB, RGW, BGW, RBW, RG, RB, RW, BW, BG, GW
- ⑬ Ambient Light Breathing Mode: Ambient lights will switch between single-color cycling, two-color mixed-color cycling, and three-color mixed-color cycling
- ⑭ Sound Activated Switch: Lights will fast flash following the external sound or music rhythm
- ⑮ Ambient Lights Brightness +/-
- ⑯ Ambient Lights Moving Speed +/-
- ⑰ Night Light Switch: Control the ring night light switch on/off
- ⑱ Short press to set 1H timer, press again to turn off timer
- ⑲ Short press to set 2H timer, press again to turn off timer
- Ⓜ Switch the color of ring night light
- Ⓜ Power Switch: Power on/off

Notice: Please point the remote control directly to the projector, away from the TV

DEFAULT SETTINGS

Once the star projector is plugged in, it will enter the default mode where all effects are on. Use the remote control to change the effect settings and brightness.

INSTALLATION TIPS

- Do not connect the light to a dimmer pack, as a dimmer accessory may damage the star component.
- The darker the display area, the brighter your projection will appear.

PRODUCT SPECIFICATIONS

Star Classification	Class 1
Star Color	Green: 515nm
Ambient Lights Color	Red Green Blue White
Color Temperature	White: 6000k(±500k)
Housing	ABS + PVC
Power Consumption	Less than 10W
USB Power Adapter Input	100-250 V ~ 50/60 Hz
USB Power Adapter Output	5V=2A
Operation	Indoor
Operating Temperature	-4°F to 113°F (-20°C to 45°C)
Projection Coverage	Star - 30 x 30 ft Ambient Lights - 25 x 25 ft
Maintenance	Maintenance free
Dimensions	4.29"L x 4.29"W x 9.88"H
Cord Length	5 ft (1.5 m)
Product Model	Star Projector-RT003
Bluetooth Version	Bluetooth 5.2

Designed in the USA
By Rossetta LLC
Broward
Pompano Beach, FL 33068
Made in China

ROSSETTA LIMITED WARRANTY

This product carries a 1 year limited warranty against defects in workmanship and materials. Rossetta LLC agrees to replace the defective product free of charge within the stated warranty period, when returned by the original purchaser with proof of purchase. This product is not guaranteed against wear or breakage due to misuse and/or abuse. For detailed warranty information for your country, please visit <https://rossettalight.com/pages/warranty-registry>.

CAUTION

This is not a toy. Young children under 3 yrs must be supervised while using this device at all times. This unit is not waterproof. Use and store indoors or in a dry place.

CLEANING INSTRUCTIONS

Surface clean only with a soft, dry cloth. Unplug unit before cleaning.

DISPOSAL

At the end of its serviceable life, this product should not be treated as household or general waste. It should be handed over to the applicable collection point for the recycling of electrical and electronic equipment.



Warning Statement

This device complies with part 15 of the FCC Rules. Operation is subject to the following two conditions: (1) This device may not cause harmful interference, and (2) this device must accept any interference received, including interference that may cause undesired operation.

Any Changes or modifications not expressly approved by the party responsible for compliance could void the user's authority to operate the equipment.

Note: This equipment has been tested and found to comply with the limits for a Class B digital device, pursuant to part 15 of the FCC Rules. These limits are designed to provide reasonable protection against harmful interference in a residential installation. This equipment generates uses and can radiate radio frequency energy and, if not installed and used in accordance with the instructions, may cause harmful interference to radio communications. However, there is no guarantee that interference will not occur in a particular installation. If this equipment does cause harmful interference to radio or television reception, which can be determined by turning the equipment off and on, the user is encouraged to try to correct the interference by one or more of the following measures:

- Reorient or relocate the receiving antenna.
- Increase the separation between the equipment and receiver.
- Connect the equipment into an outlet on a circuit different from that to which the receiver is connected.
- Consult the dealer or an experienced radio/TV technician for help.

This equipment complies with FCC radiation exposure limits set forth for an uncontrolled environment. This equipment should be installed and operated with minimum distance 20cm between the radiator & your body.

Rosetta Customers Support

Experiencing issues or have questions about your new purchase?
Reach out to us at support@rossettalight.com. Our committed support team will respond within 24 hours.

Activate your 36-month warranty with ease by registering your product on our website at:

www.rossettalight.com

Alternatively, you can scan the QR code below to register your purchase.



GET SOCIAL WITH US

WWW.ROSSETTALIGHT.COM



   [@rossettalights](https://www.instagram.com/rossettalights) |  support@rossettalight.com

Customer Support

Monday-Friday 9:00 AM -5:00 PM PST

*Please have your invoice and order number ready before contacting Customer Support.