

BRA-04 RFID Antenna specs

Easy RFID Technologies Ltd

www.brrfid.com

P/N:

BRA-04 RFID antenna

Product features

Characterized by high gain, low standing wave, etc.; small size, light weight, good applicability, easy to install.

Main use and scope of application

The BRA-04 antenna can be easily used in UHF band RFID handhelds and other miniaturized terminals or various external applications.

Electrical Characteristics

Frequency Range: 902MHz~928MHz

V.S.W.R: $\leq 1.3:1$

Gain: 3dBi

Polarization : RHCP

Axial Ratio: <3 dB

Impedence: 50 Ω

RF Connector: MMCX (optional)

Mechanical Data

Sizes: 50 mm×50 mm×8 mm

Weights: 39g

Material : Ceramics &F4B

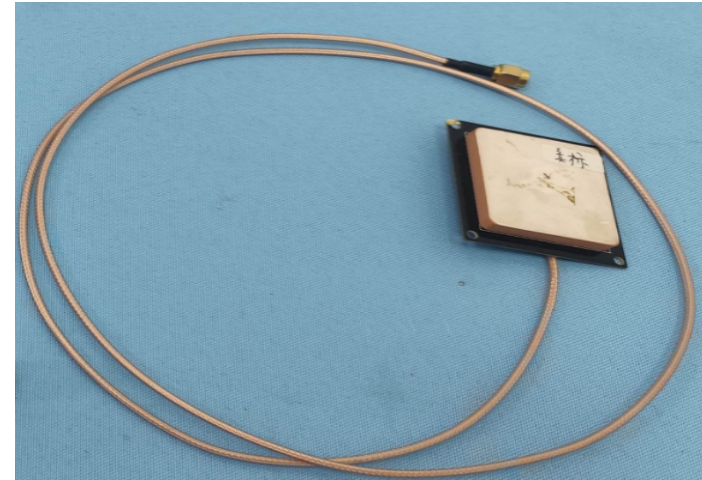
Color: picture color

RF Cable: RG178

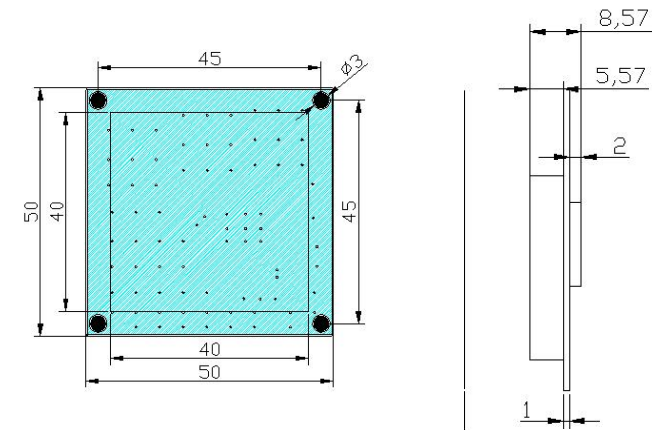
Working Temp : -40℃~+ 85℃

Storage Temp: -40℃~+ 85℃

Relative Humidity: 5%~95%



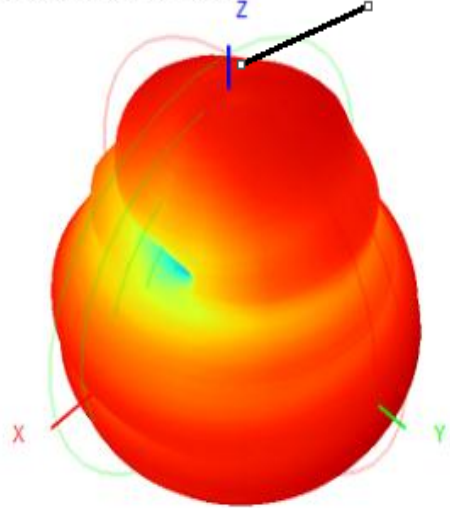
Pic1 BRA-04 UHF RFID antenna



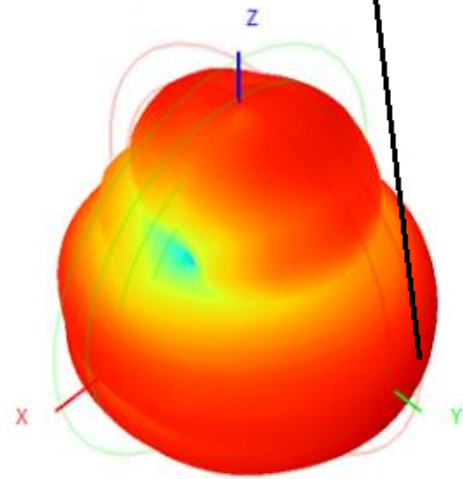
Pic 2 Installatino size

Frequency (MHz)	902.75	907.25	914.75	917.75	927.25
Gain (dBi)	2.56	2.47	2.83	3.00	2.82

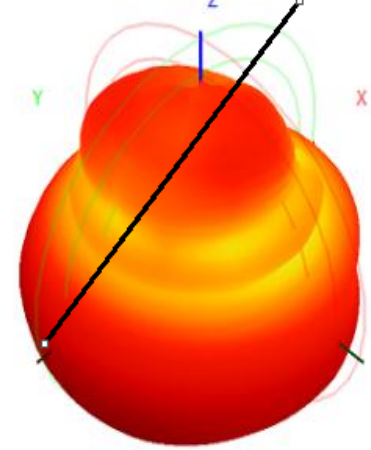
902.75MHz 2.56dBi



907.25MHz 2.47dBi



917.75MHz 3dBi



Pic4 Antenna Radiation Direction Map (3D)