

东莞市唯新实业有限公司

Dongguan Weixin Industry Co., Ltd

天线规格书

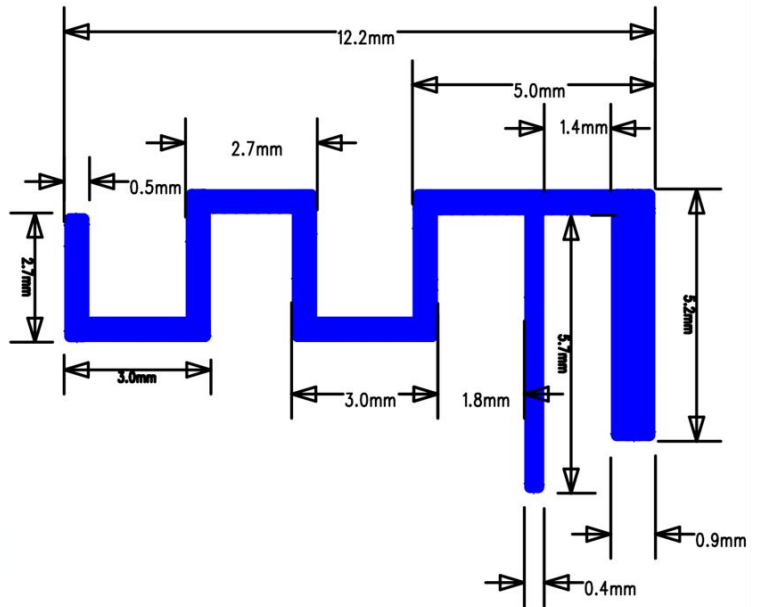
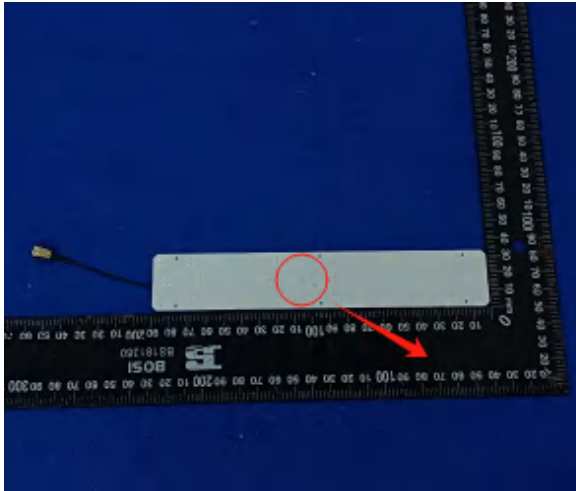
Antenna specifications

目录

Table of contents

产品图片,尺寸 (Product pictures, size)	1
产品参数 (Product Parameters)	1
增益, 效率, 方向图, S11 (gain, efficiency, pattern) ...	2-5
测试连接系统(Test connection system).....	5

一.产品图片,尺寸 (Product pictures, size)



二、产品参数 (Product Parameters)

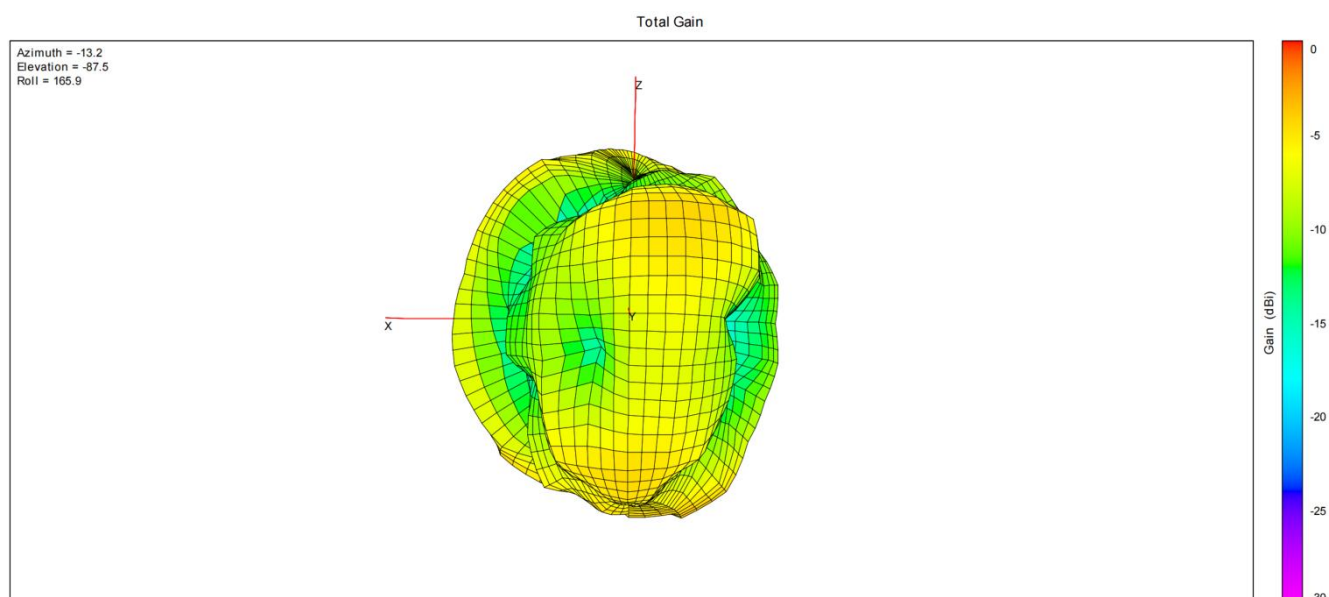
产品测试参数 (Product test parameters)			
产品名称(Name)	板载天线 (Onboard antenna)	产品型号(Model Type)	SURROUND LIGHT PRO
电性能指标 (Electrical Specifications)			
频率范围 (Frequency Range)	2400-2500MHz	极化方式 (Polarization)	水平 (level)
输入阻抗(Impedance)	50 Ω	辐射方向 (Radiation direction)	全向 (Omnidirectional)
驻波比 (VSWR)	2.0	功率容量(Power)	40mW
增益(Gain)	-1.4DB	带宽 (Bandwidth)	136/980MHz
机械指标 (Mechanical Specifications)			
尺寸 (Dimensions)	12.2*5.2mm	天线颜色(Radome Color)	白色 (White)
连接器型号 (Connector)		引线长度(Cable Length)	
外壳材料 Radome Material			
工作温度 (Working Temperature)	-10°C~+60°C	存放温度 (Limit Temperature)	-10°C~+30°C

三、增益(Gain).效率(efficiency).方向图(direction map), S11

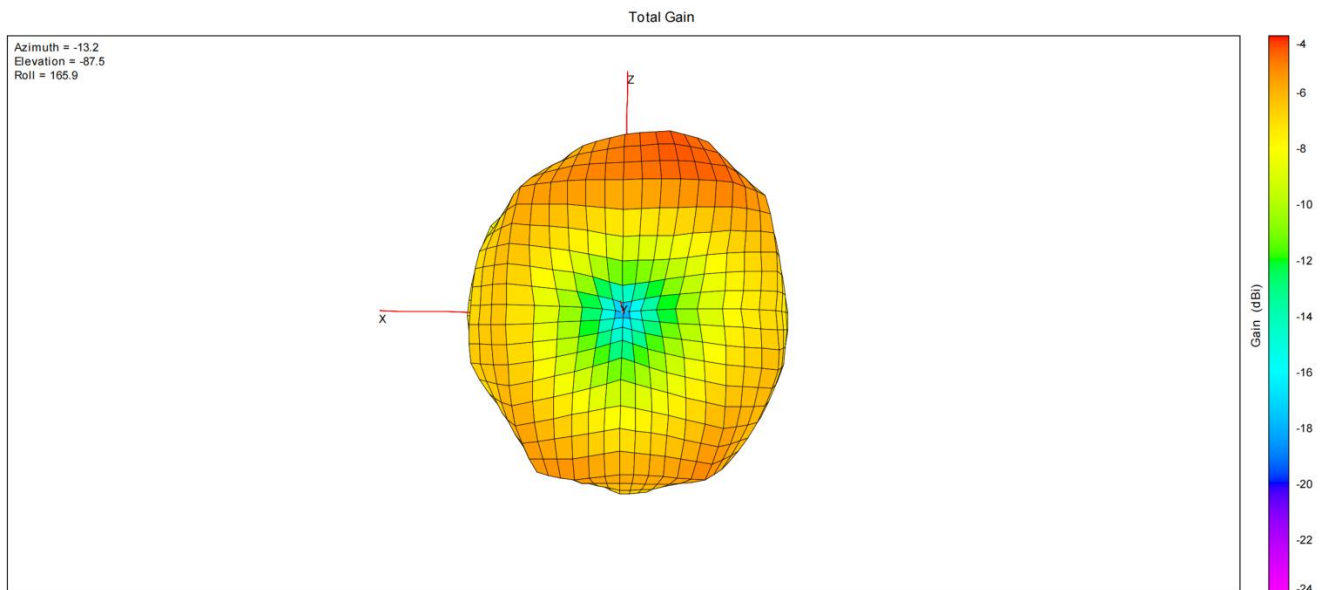
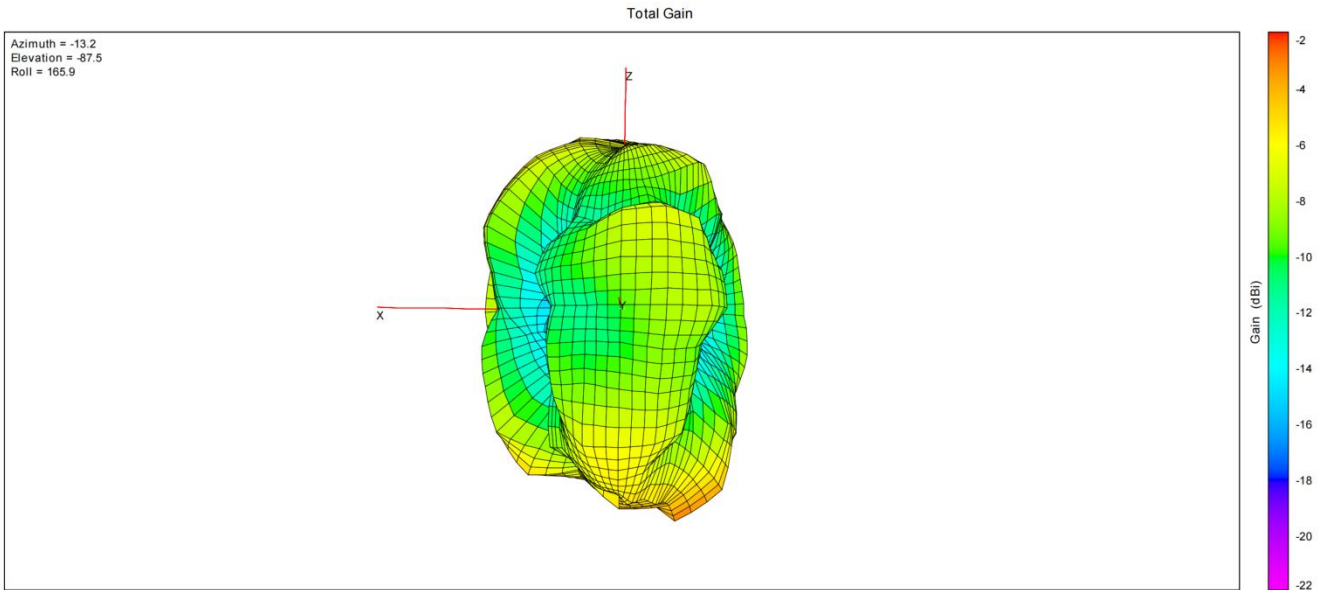
增益,效率(gain,efficiency)

Frequency (MHz)	Efficiency (%)	Gain (dB)
2400	18.18%	-2.76
2410	20.22%	-2.18
2420	19.95%	-1.57
2430	18.23%	-1.4
2440	16.11%	-1.71
2450	13.90%	-2.77
2460	12.15%	-4.32
2470	11.04%	-5.97
2480	10.96%	-5.58
2490	11.27%	-5.19
2500	12.26%	-4.27

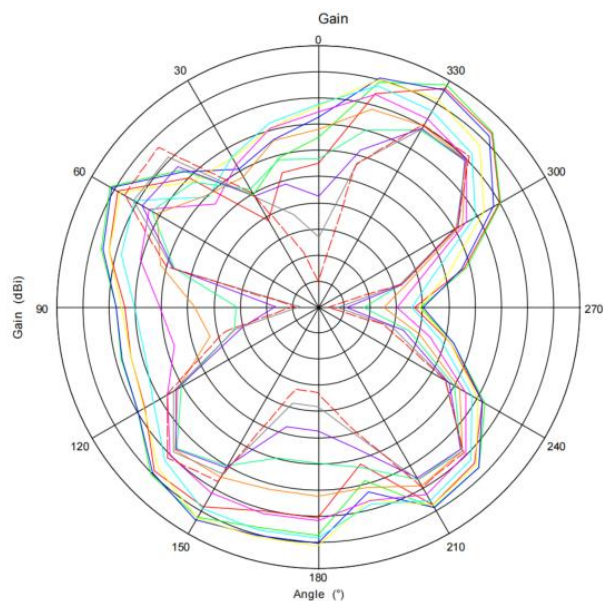
苹果图(apple diagram)



2400MHz

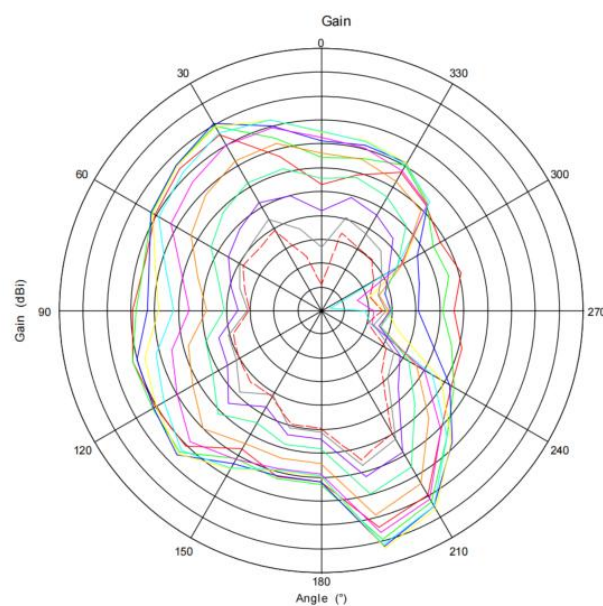


方向图(direction map)



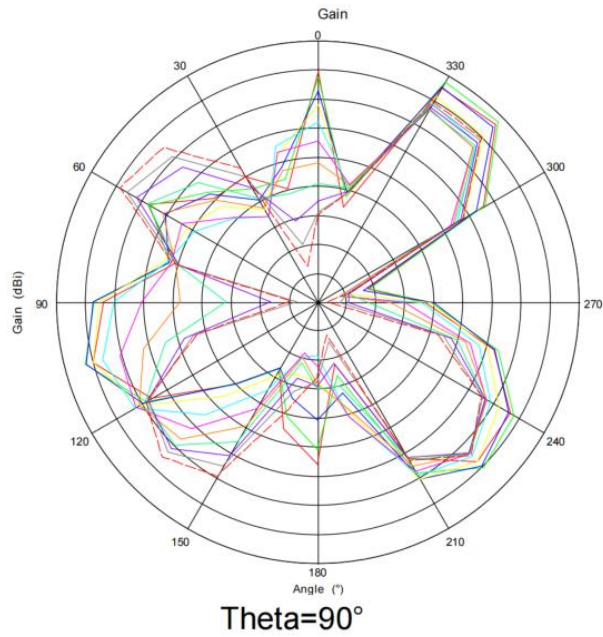
Max: -2
Min: -22
Scale: 2/div

$\Phi=90^\circ$



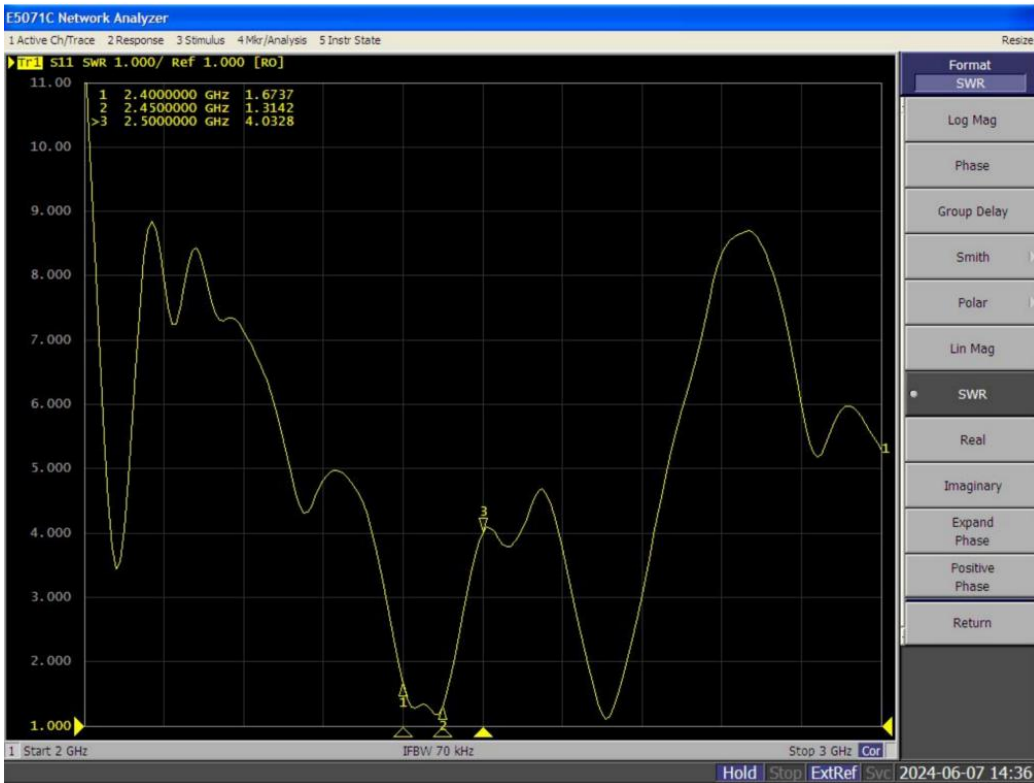
Max: 0
Min: -22
Scale: 2/div

$\Phi=0^\circ$

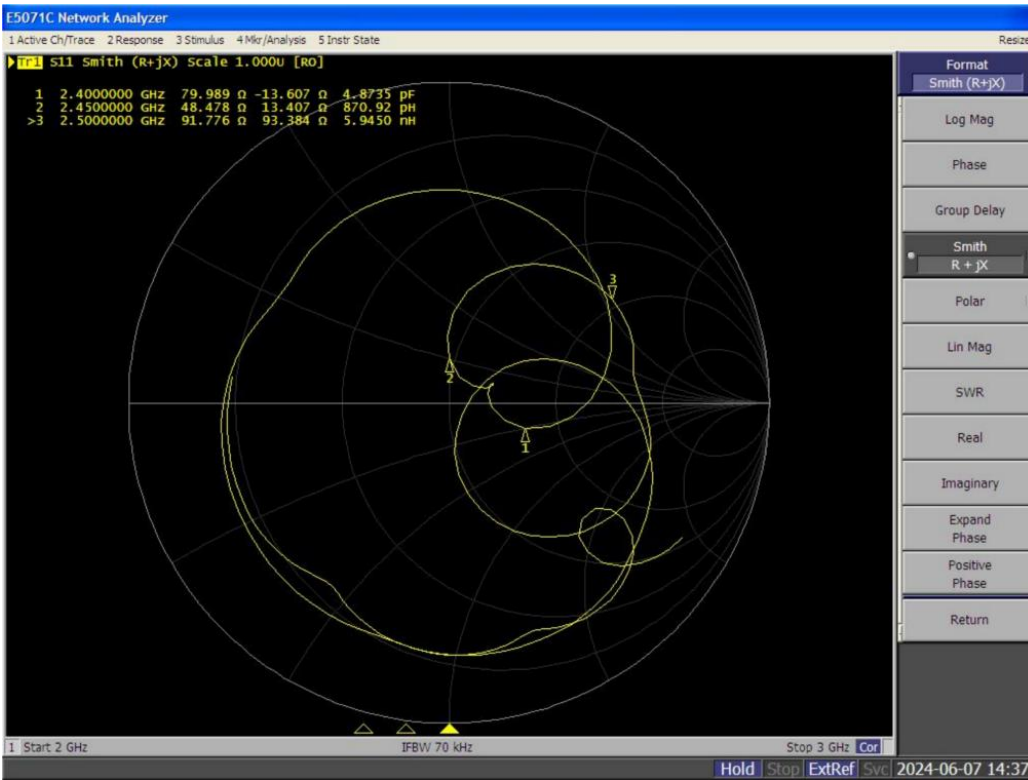


Max: -4
Min: -22
Scale: 2/div

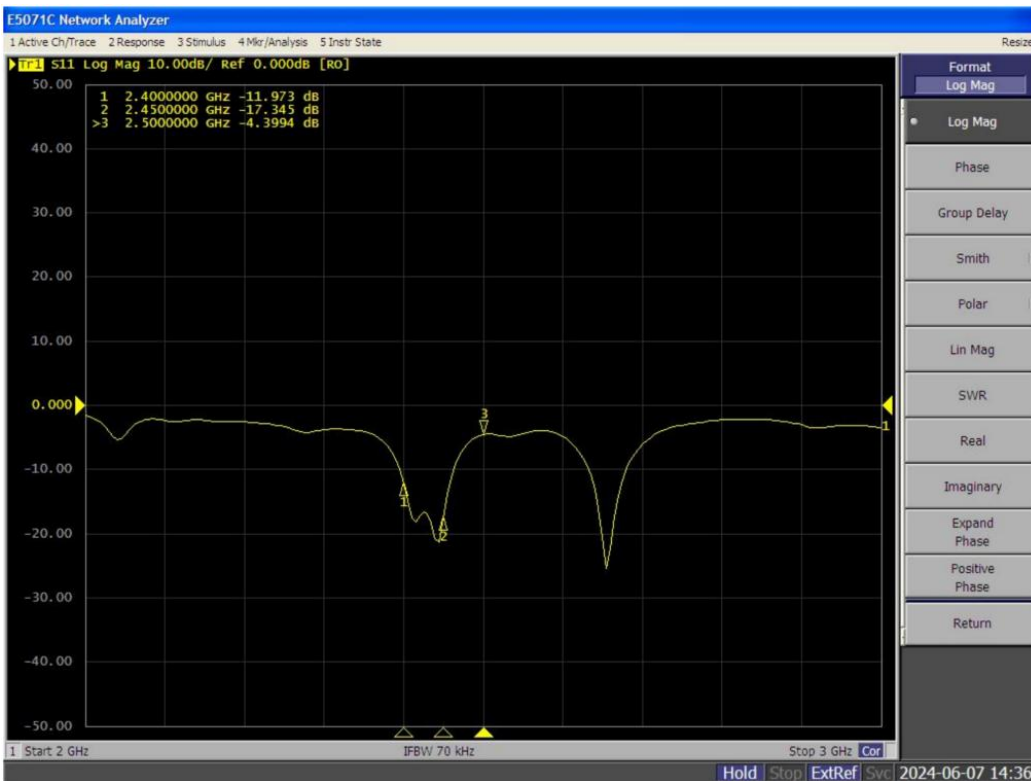
VSWR



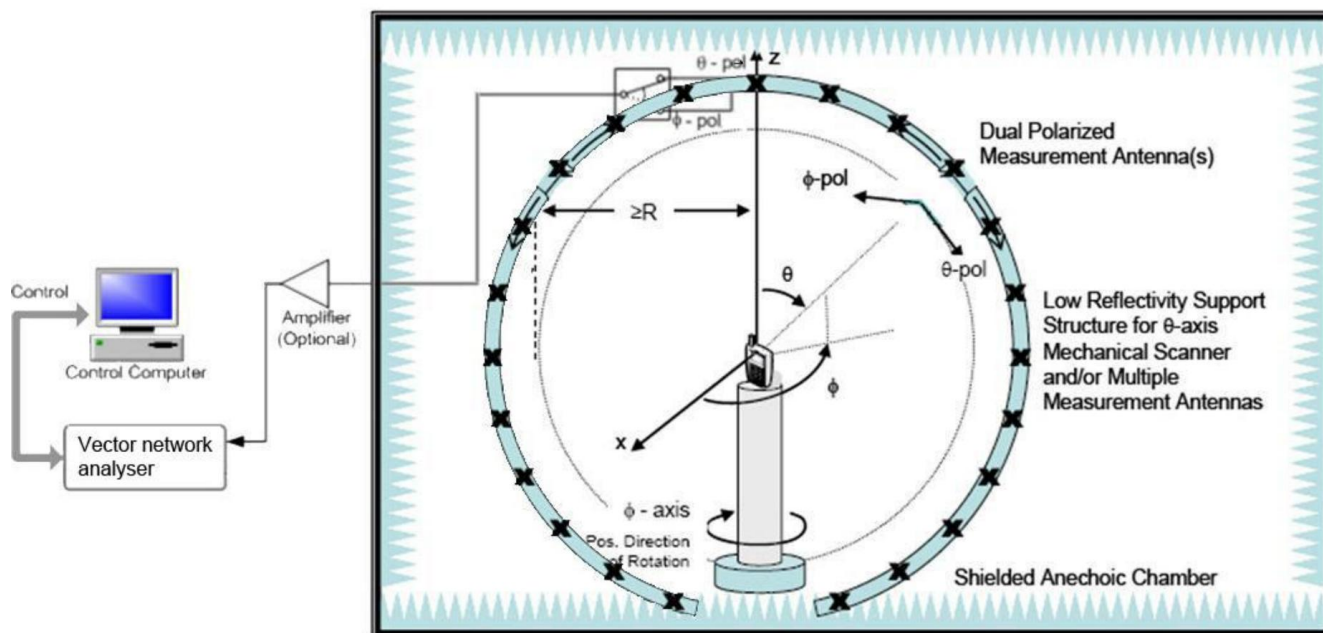
Impedance



Return Loss



测试连接系统(Test connection system)



测试机构 (testing agency) :

Shenzhen Morlab Communications Technology Co., Ltd