

承 認 書

SPECIFICATION FOR APPROVAL

客 戶:
CUSTOMER: **Shenzhen Haitao Technology Co.,Ltd.**

客 戶 料 號:
CUST P/N:

音 澤 料 號:
FINE P/N: **G43.5-20.5-0.08*48-10TS-6.7UH-L170MM+BJ**

產 品 型 號:
DESC: **Φ43.5MMX0.7MM**

日 期:
DATE: **2024/09/11**

版 本:
Version: **A.0**

擬 制 PREPARED BY	審 核 CHECKED BY	批 准 APPROVED BY	客 戶 承 認 CUSTOMER APPROVE
何立成	马莉	但可清	

Dongguan Yinze Electronics Co., Ltd.

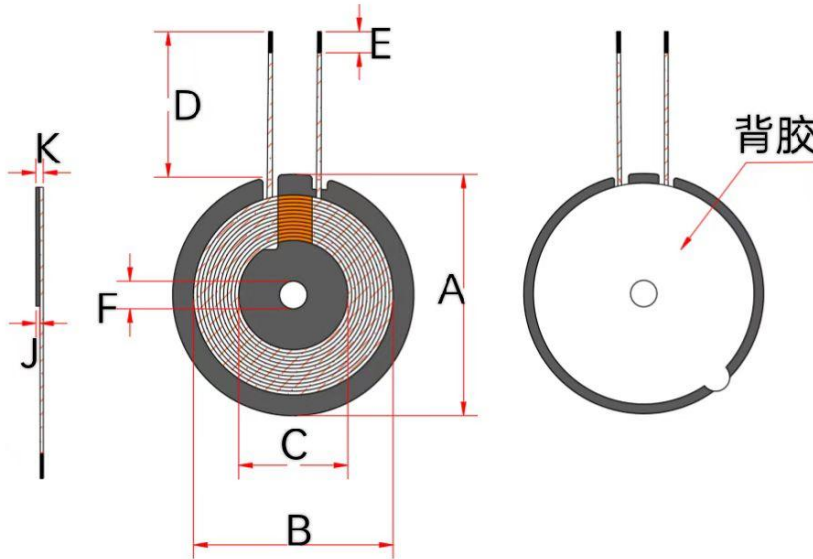
Factory address: No. 901, Building 2, Xinghan (Wealth Creation Central City),
Chashan Town, Dongguan City

但可清 TEL: 18617251159

SPECIFICATION

產品型號: DESC	G43.5-20.5-0.08*48-10TS-6.7 UH-L170MM+BJ	版本 Rev: A.0	客戶 CUST: 客戶料号 CUST P/N:	
---------------	---	----------------	----------------------------	--

一、尺寸 DIMENSION:(mm)

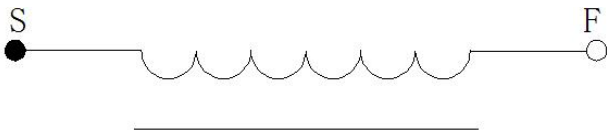


A	43.5±1.0mm
B	39±1.0mm
C	20.5±1.0mm
D	170±1.5mm
E	3±1.5mm
F	5.3±0.5mm
K	2.3mm MAX
J	0.7±0.1mm
I	

注:

- 1.交叉出线;
- 2.线圈贴双槽磁片，磁片尺寸 43.5±1mm,，厚度为 0.7±0.1mm.
- 3.磁片背面贴背胶

二、原理图 SCHEMATIC DIAGRAM:



三、绕线参数 Winding Specification:

序号 NO.	端子 TERMINAL		线径 WIRE	圈数 Turns	绕线方向 Winding Direction
1	S	F	热风线 0.08*48	10Ts	CCW

四、电气特性 ELECTRICAL CHARACTERISTICS:

温度 TEMPERATURE:25±10°C, 湿度 RELATIVE HUMIDITY:65±20%

序号 NO.	项目 ITEM	端子 TERMINAL	标准 SPECIFICATION	测试条件 TEST FREQUENCY	测试仪器 TEST EQUIPMENTS
1	IND.	S-F	3.7uH ±10%单独 线圈	100KHz/1.0V	LCZ METER 1062B
2	IND.	S-F	6.7uH ±10%加磁 片	100KHz/1.0V	LCZ METER 1062B
3	DCR	S-R	≤110m Ω		LCZ METER 502B
	DCR	Q	≥39.5	100KHz/1.0V	LCZ METER 1062B

5.MATERIAL LIST:

NO	ITEM	DESCRIPTION	RATING	SUPPLIERS	UL NO.	REMARK
1	WIRE	热风线	155°C	Guangdong Xinju wire Co., LTD		
2	SOLDER	99.3/0.7		Dongguan Feiquan electronic material Co., LTD		
3	CORE	43.5/5.3/0.7(开 L1 双槽)		Huizhou Huibo Cheng Electronics Co., LTD		
4	EPOXY	1603HFR-HS		Dongguan Wan He new material Co., LTD		
5	TAPE	PI 260°C		Dongguan die cut charm sound Co., LTD		

1. Tested at 1.0Kz0.25vrms,0 AaC

Average current for 40 temperature rise from25°C

2. Saturaion current(Isat):Inductance drop:10% typ at Isat.

5. Heat rating current(Irms):3L@IrmS=AT≤40°C.

6. Electrical specifications at25°C

7. Storage Temp:-40°C....+85°C

8. Operating Temp:-40°C....+85°C

擬制/日期 PREPARED BY/DATE

審核/日期 CHECKED BY/DATE

何立成 2024.09.11