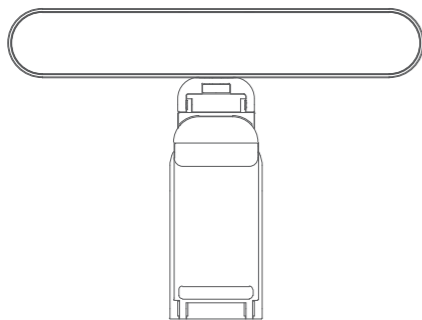


Video Conference Light

User Manual

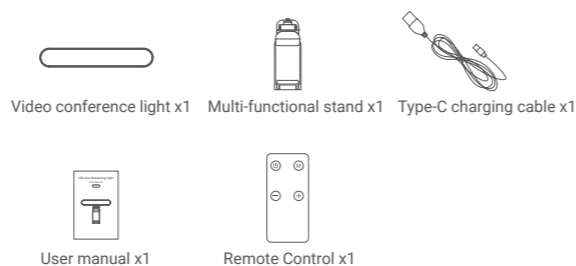
F-663



Specification

Model: F-663(single light)
 Number of LEDs: 40pcs
 Power: 5.5-6W
 Light Mode: White light, warm light, natural light
 Power Supply Interface: Type-C
 Power Supply Mode: 5V/2A
 Color rendering index: Ra≥90
 Color Temperature: 3000-6000K
 Product Size: 240x20x184mm

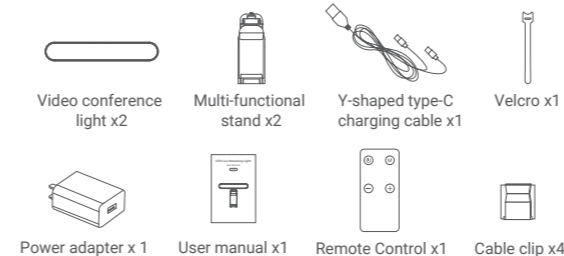
Product accessories



Specification

Model: F-663(double lights)
 Number of LEDs: 40*2pcs
 Power: 12W
 Light Mode: White light, warm light, natural light
 Power Supply Interface: Type-C
 Power Supply Mode: 5V/3A
 Color rendering index: Ra≥90
 Color Temperature: 3000-6000K
 Product Size: 240x20x184mm

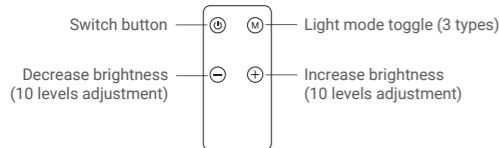
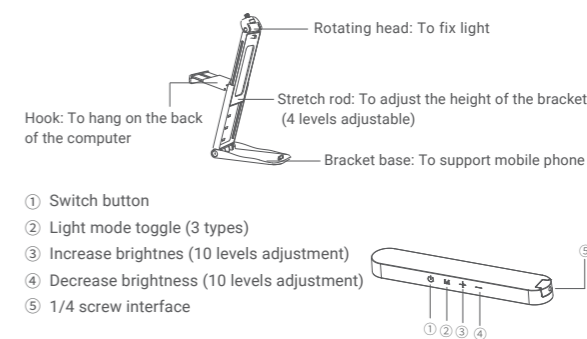
Product accessories



Product introduction

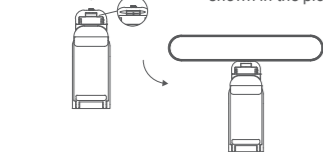
1. Hand press **⏻** for 1.5 seconds to turn on/off.
2. **Light mode:** Lightly touch **M** to change the light color, including cold & warm light, white light, warm light.
3. **Brightness adjustment:** When the ring light is working, you can increase/decrease brightness through "+" or "-" button, there are 10 levels brightness for choice.
4. **Memory function:** When you switch on the fill light again, it still retains the same light mode as last time.
5. **Angle adjustment:** The angle of fill light can be 180° rotation.

Product diagram

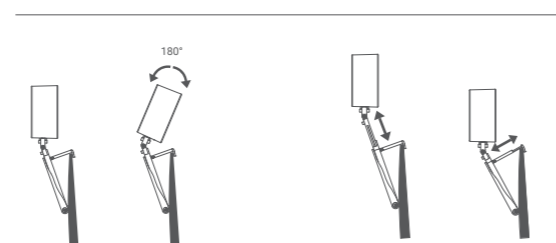
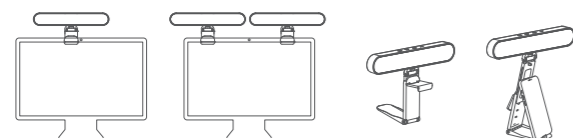


Installation method

Align the screw holes at the bottom of the video light with the bracket screws, and tighten the screws counterclockwise, the installation is complete (as shown in the picture)



4 methods of use



About the button cell battery tip:

- Remove and immediately recycle or dispose of used batteries according to local regulations and keep away from children. Do NOT dispose of batteries in household trash or incinerate.
- Even used batteries may cause severe injury or death.
- Call a local poison control center for treatment information.
- Battery type: CR2025.
- Nominal battery voltage: 3V.
- Non-rechargeable batteries are not to be recharged.
- Do not force discharge, recharge, disassemble, heat above (60°C) or incinerate. Doing so may result in injury due to venting, leakage or explosion resulting in chemical burns.

- Ensure the batteries are installed correctly according to polarity (+ and -).
- Do not mix old and new batteries, different brands or types of batteries, such as alkaline, carbon-zinc, or rechargeable batteries.
- Remove and immediately recycle or dispose of batteries from equipment not used for an extended period of time according to local regulations.
- Always completely secure the battery compartment. If the battery compartment does not close securely, stop using the product, remove the batteries, and keep them away from children.

⚠ WARNING

- **INGESTION HAZARD** : This product contains a button cell or coin battery.
- **DEATH** or serious injury can occur if ingested.
- A swallowed button cell or coin battery can cause **Internal Chemical Burns** in as little as **2 hours**.
- **KEEP** new and used batteries **OUT OF REACH of CHILDREN**
- **Seek immediate medical attention** if a battery is suspected to be swallowed or inserted inside any part of the body.

⚠ WARNING: This product contains a button or coin cell battery.

The following information applies to remote control only: FCC Statement

This device complies with part 15 of the FCC rules. Operation is subject to the following two conditions: (1) this device may not cause harmful interference, and (2) this device must accept any interference received, including interference that may cause undesired operation.

Changes or modifications not expressly approved by the party responsible for compliance could void the user's authority to operate the equipment.

NOTE: This equipment has been tested and found to comply with the limits device, pursuant to part 15 of the FCC Rules. These limits are designed to provide reasonable protection against harmful interference in a residential installation. This equipment generates uses and can radiate radio frequency energy and, if not installed and used in accordance with the instructions, may cause harmful interference to radio communications. However, there is guarantee that interference will not occur in a particular installation. If this equipment does cause harmful interference to radio or television reception, which can be determined by turning the equipment off and on, the user is encouraged to try to correct the interference by one or more of the following measures:

- Reorient or relocate the receiving antenna.
- Increase the separation between the equipment and receiver.
- Connect the equipment into an outlet on a circuit different from that to which the receiver is connected.
- Consult the dealer or an experienced radio/TV technician for help.

The device has been evaluated to meet general RF exposure requirement. The device can be used in portable exposure condition without restriction.

