

User Guide

HX-W1

Preface

Dear users, thank you for choosing this product, in order for you to further understand the product, please read this manual carefully before use. Wish you a happy experience!

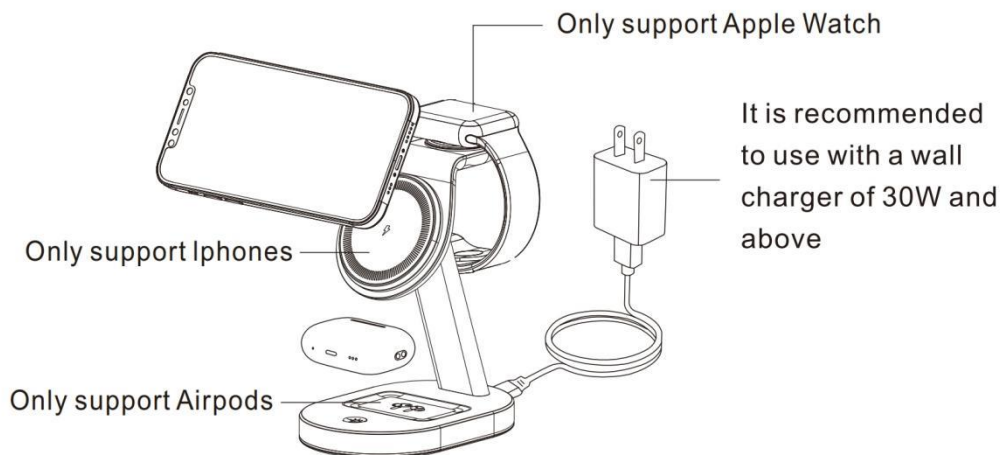
Product Description

- Press the button to turn off the ambient light, and press it again to turn it off.



How to use

- Please plug one end of the provided charging cable into the Type-C port of the product, and the other end into the local power supply or brand adapter, when the LED indicator on the product lights up, it can be used normally.



Troubleshooting

How to solve the abnormal wireless charging?

- Before use, please make sure that your mobile phone has both wireless charging and MagSafe functions.
- If you need to charge with a case, please use an official MagSafe case from Apple
- When a metal foreign object is placed in the charging area, the charger will automatically detect

and turn off the power. The product will resume charging after the metal foreign object is removed.

Why does the charger get hot when charging?

- During the charging process, there will be a loss in magnetoelectric conversion loss, which will be converted into heat, so that the mobile phone and wireless charger will slightly heat up, this is a normal phenomenon.

What is important to note when charging?

- After the phone is fully charged, please disconnect the charger from the power supply in time to avoid continuous heating.

Notes

- Be sure to plug the product into a power source before use.
- It is recommended to use with a wall charger of 30W and above.
- Disconnect the charger from the power outlet when not in use.
- Please use the provided charging cable or branded charging cable to power up the charger. Uncertified or incompatible power adapters and data cables may cause fire, explosion, or other hazards.
- Do not use this charger in an environment of high temperature, humidity, and strong magnetic field.
- Keep the charger away from people with pacemakers, defibrillators, or other implants, at least 20cm away.
- Wipe this charger and accessories with a dry and clean cloth.
- Do not disassemble and repair this charger by yourself. Improper disassembly may cause electric shock or other safety hazards.

FCC Statement

This equipment has been tested and found to comply with the rules for white space devices, pursuant to part 15 of the FCC rules. These rules are designed to provide reasonable protection against harmful interference. This equipment generates, uses and can radiate radio frequency energy and, if not installed and used in accordance with the instructions, may cause harmful interference to radio communications. If this equipment does cause harmful interference to radio or television reception, which can be determined by turning the equipment off and on, the user is encouraged to try to correct the interference by one or more of the following measures:

- (1) Reorient or relocate the receiving antenna.
- (2) Increase the separation between the equipment and receiver.
- (3) Connect the equipment into an outlet on a circuit different from that to which the receiver is connected.
- (4) Consult the manufacturer, dealer or an experienced radio/TV technician for help.

The device has been evaluated to meet general RF exposure requirements. This equipment should be installed and operated with a minimum distance of 20 cm between the radiator and your body.