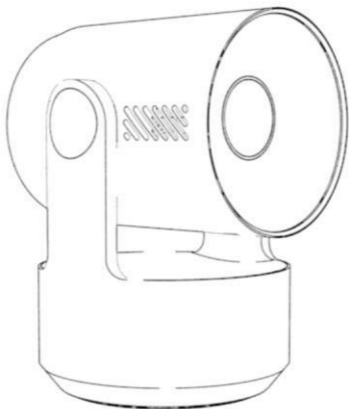


Model : V200



Intelligent Microprojector

※ Quick Installation and Use Guide ※

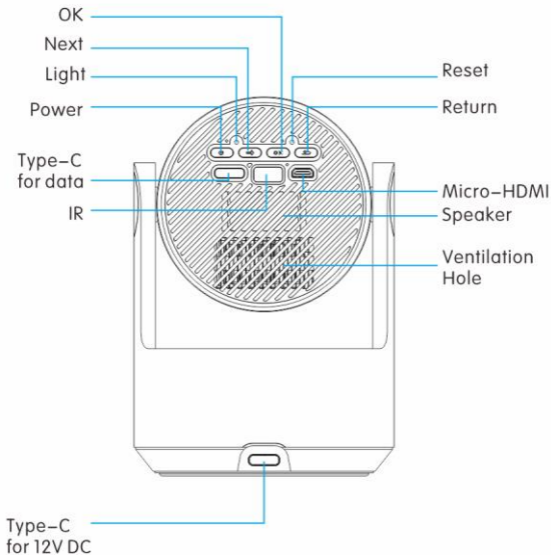
【 Attention 】

Please read this manual carefully before use and keep it for future reference.

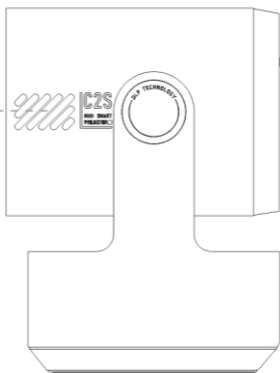
- 1.The projector is non dustproof or non waterproof.
- 2.In order to reduce the risk of fire and electric shock, do not expose the projector to rain and fog.
- 3.Please use the original power adapter. The projector should work under specified rated power supply.
- 4.When projector is working, please do not look directly into the lens, the strong light will flash your eyes and cause slight pain. Children should use the projector under the supervision of adults.
- 5.Do not cover the vents of projector. Heating will reduce the life of projector and cause danger.
- 6.Regularly clean projector vents, or dust may cause cooling malfunction.
- 7.Do not use the projector in greasy, damp, dusty or smoky environment. Oil or chemicals will cause malfunction.
- 8.Please handle with care during daily use.
- 9.Please cut off the power if the projector is out of use for long time.
- 10.Non-professionals are forbidden to disassemble the projector for testing and maintenance.

【Structure description】

The picture and function description of the projector are for reference only. It is subject to change without prior notice.



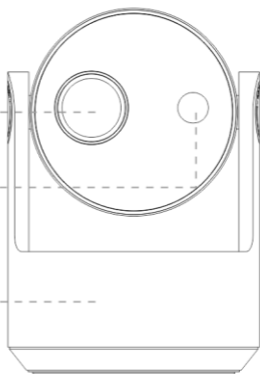
Ventilation
Hole

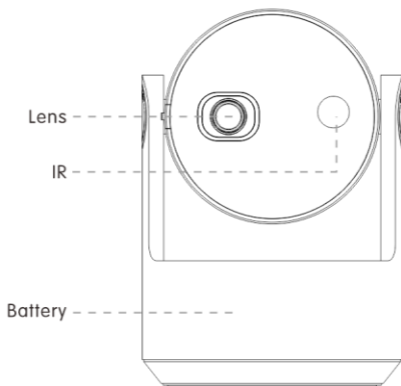
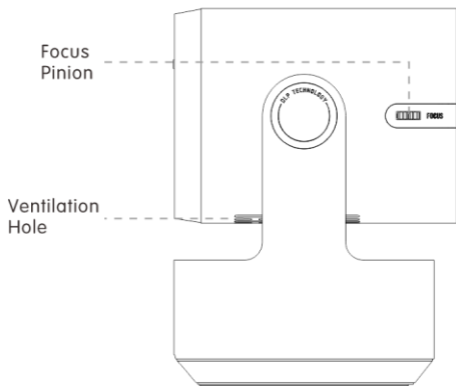


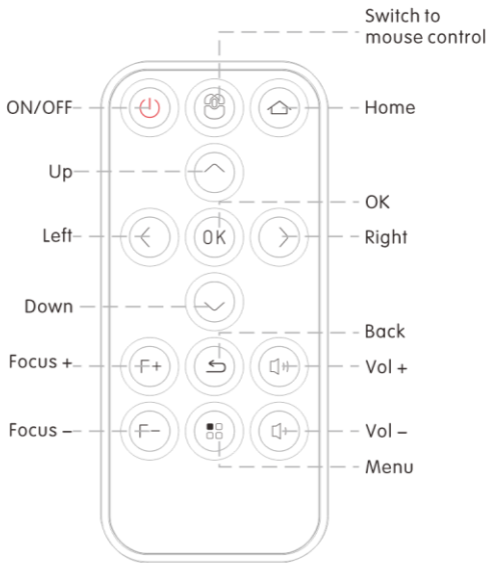
Lens

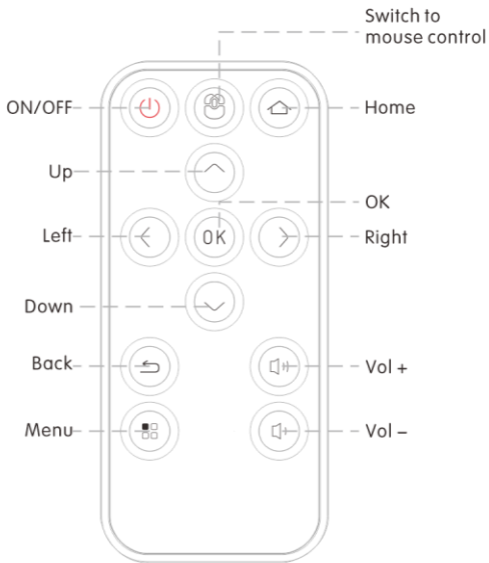
IR

Battery



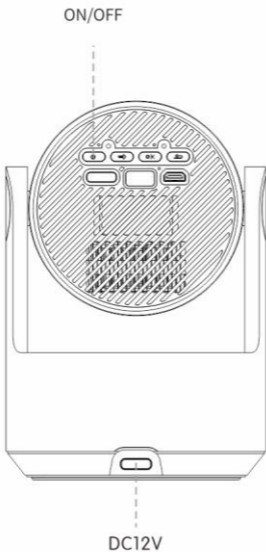






【Power ON/OFF】

Press ON/OFF button to turn it on, then press promptly to turn it off.



【Disclaimer】

This manual is a basic user guide, pictures and functions are subject to the actual product. We are devoting to improve product performance and reserve the right to improve product functions and interface described in this manual.

Current functions and interfaces are for reference only, due to the continuous upgrading, firmware is subject to change without prior notice.

Please keep your device properly. We're not responsible for any loss caused by wrong operation, repairing, disassembly, and any other reasons.

This manual has been carefully checked by professional engineer, please understand for any inevitable omissions.

【Settings】

Enter settings for Networking, Bluetooth, Language, Projection, Bluetooth Speaker, Date And Time, Other Setting, About us.



Networking



Bluetooth

Aa

Language



Other Setting



Projection



Bluetooth Speaker



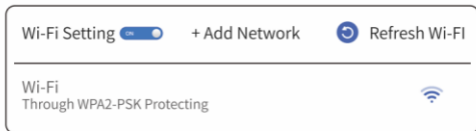
Date And Time



About us

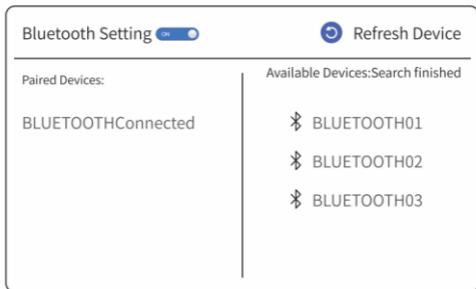
【WIFI Setting】

1. Settings - Network Setting - WIFI setting, WIFI "ON";
2. Scroll the WIFI list to select WIFI ID and input password to connection internet.



【Bluetooth Setting】

- Settings - Bluetooth setting, Bluetooth "ON", click "Refresh Device" and search for device pairing until it is connected.



【Bluetooth Speaker Mode】

Settings - Bluetooth Speaker - Press Speaker Mode: Close to go Bluetooth Speaker Mode(Voice broadcast: Bluetooth device is ready to pair)



Bluetooth Name: Projector
Speaker Mode: Close

Turn on smartphone and search Bluetooth device, Select "Bluetooth Name" and start pairing, there will be a voice broadcast after paired: Bluetooth device is connected successfully.

Press remote control "↶" or "🏠" button to quit "Bluetooth Speaker Mode".

【Language Setting】

Settings - Language - Setup Language Settings and Input Selector.



Language Settings



Input Selector

【Other Setting】

Setting - Other Setting - Application and Factory Reset are available.



Application



Factory Reset

【Projection Setting】

Setting - Projection - Setup Screen Zoom, Projection Mode, Keystone, Pointer Speed, Brightness, Wind Speed.



Projection Mode



Keystone



Brightness



Pointer speed



Wind Speed



Screen Zoom

【HDMI IN】

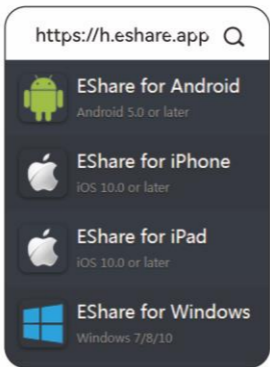
This is an HDMI-enabled product, HDMI IN function, mainly input the signal from other equipment into the projector and project on screen.

Click "HDMI" icon on homepage to enter HDMI mode.

HDMI™
HIGH-DEFINITION MULTIMEDIA INTERFACE

【How to download screen mirroring App?】

Please visit <https://h.eshare.app> only to download. Follow tips on the screen to install it.



【Eshare Mirroring】

Make sure your device and projector are connected with same network.

Open the Eshare app, and click the Eshare name.



1. Connect your device to "HTC_S6_HZC19".
2. Visit "http://b.eshare.app" with web browser or scan the QR code to download app.
3. Launch EShare and click "Projector-2072" to connect.



Smart Full screen

【Miracast Mirroring】

Make sure your Android device and the projector are connected with same network.

Open the settings menu and access your display settings or screen mirroring.

Select the searched projector for the wireless screen transfer function.

Miracast

1. Open the settings menu on your Android Mobile/Pad.
2. Access your display settings or screen mirroring.
3. Select your Miracast receiver: **Projector-2072**



【Airplay mirroring】

Make sure your phone and the projector are connected with same network.

Open settings menu and click Screen Mirroring.

Select the searched projector for the wireless screen transfer function.



AirPlay

Projector-2072

Search for the above device name via AirPlay mirroring on AirPlay compatible devices to connect.

【 FCC Statement 】

This device complies with part 15 of the FCC Rules. Operation is subject to the following two conditions:(1) this device may not cause harmful interference, and (2) this device must accept any interference received, including interference that may cause undesired operation. Any changes or modifications not expressly approved by the party responsible for compliance could void the user's authority to operate the equipment.

NOTE: This equipment has been tested and found to comply with the limits for a Class B digital device, pursuant to Part 15 of the FCC Rules. These limits are designed to provide reasonable protection against harmful interference in a residential installation. This equipment generates, uses and can radiate radio frequency energy and, if not installed and used in accordance with the instructions, may cause harmful interference to radio communications. However, there is no guarantee that interference will not occur in a particular installation. If this equipment does cause harmful interference to radio or television reception, which can be determined by turning the equipment off and on, the user is encouraged to try to correct the interference by one or more of the following measures:

- Reorient or relocate the receiving antenna.
 - Increase the separation between the equipment and receiver.
 - Connect the equipment into an outlet on a circuit different from that to which the receiver is connected.
 - Consult the dealer or an experienced radio/TV technician for help.
- To maintain compliance with FCC's RF Exposure guidelines, This equipment should be installed and operated with minimum distance between 20cm the radiator your body: Use only the supplied antenna.