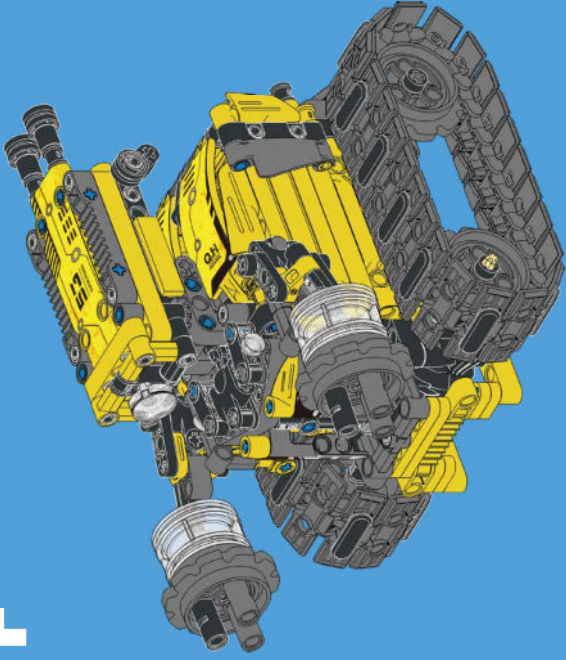


F



1

5



X2



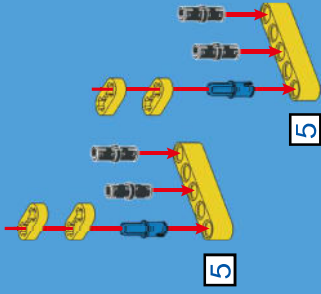
X4



X4



X2



5

5

2



X1



X1



X2



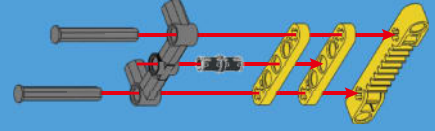
X2



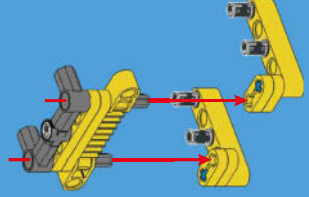
X2



X1



3



4



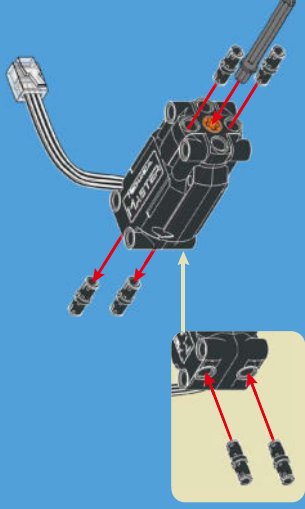
X4



X1

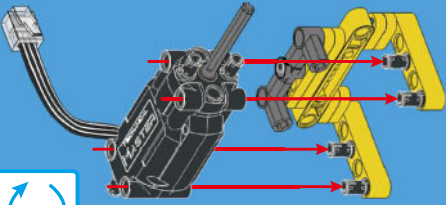


X1

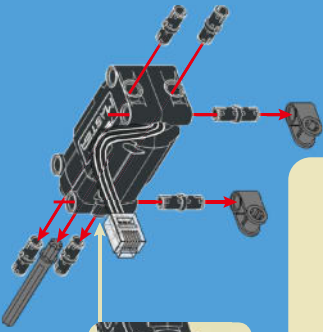
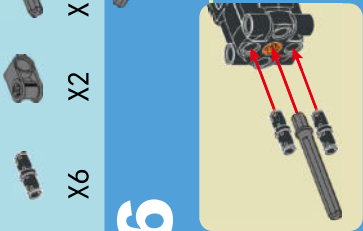




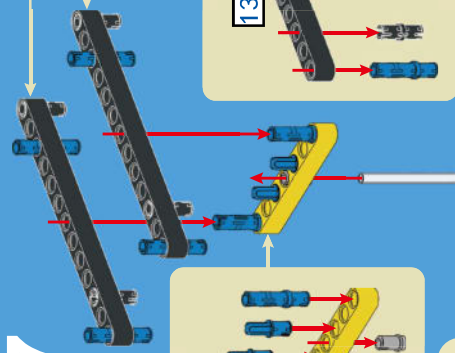
5



6



7



195MM

X1

X2

X1

X6

X4

X2

X1

X1

X1

X1

X1

X1

X2

X1

X1

X2

X2

X6

195MM

13 1:1



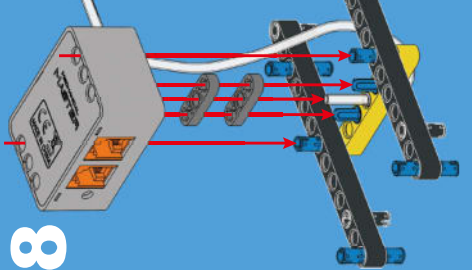
X2

195MM

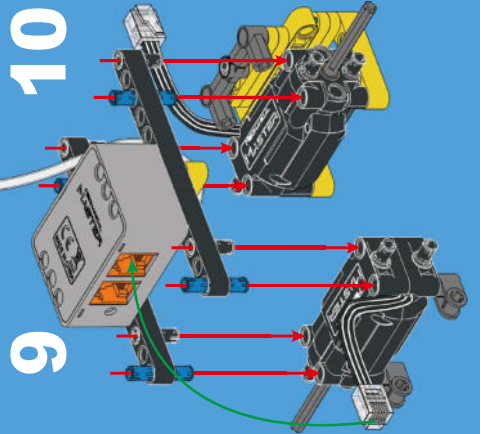
13

7

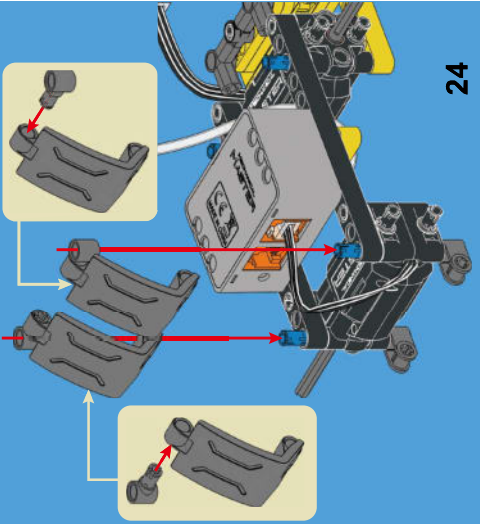
8



9

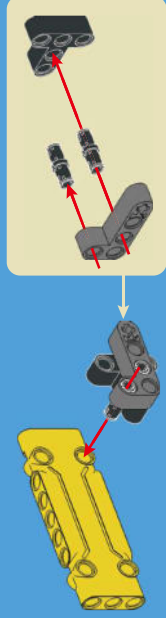


10

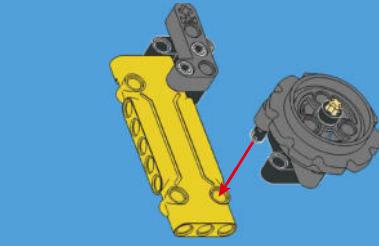
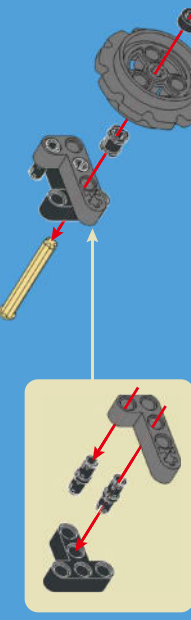




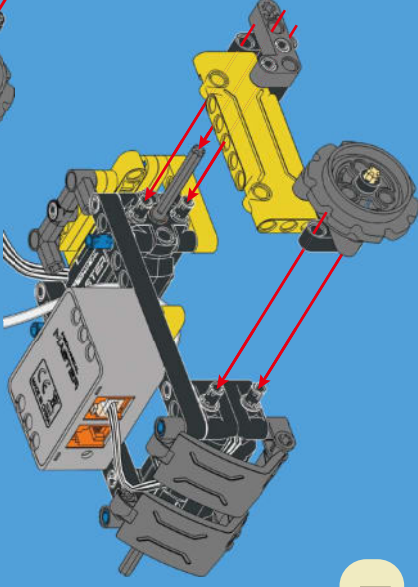
11



12



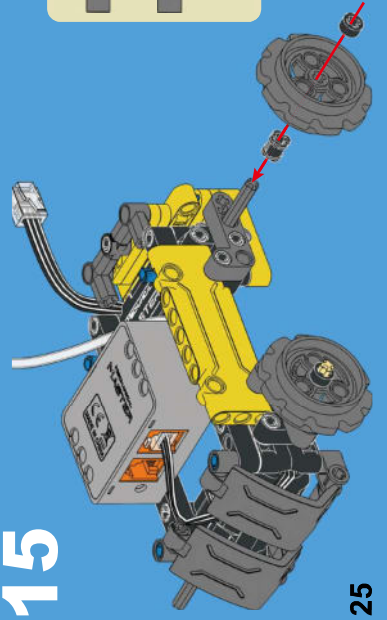
13



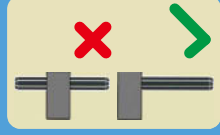
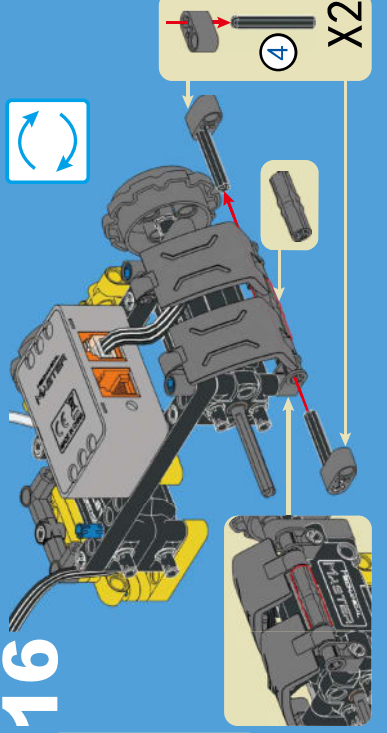
14



15

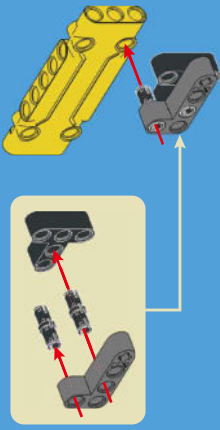


16

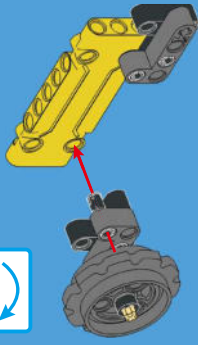




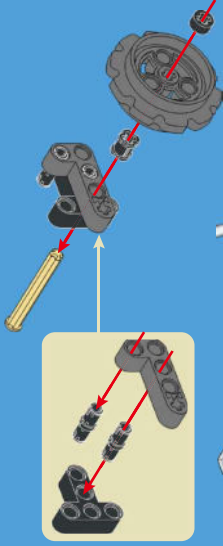
17



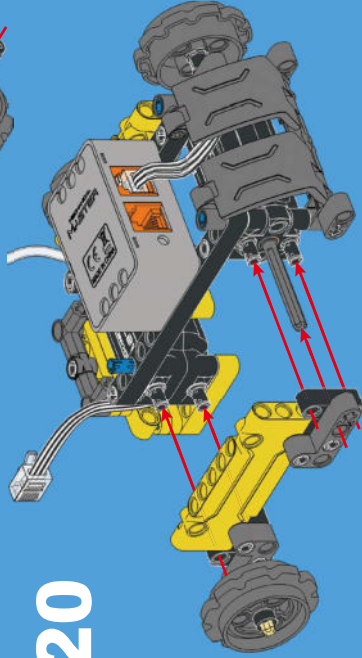
19



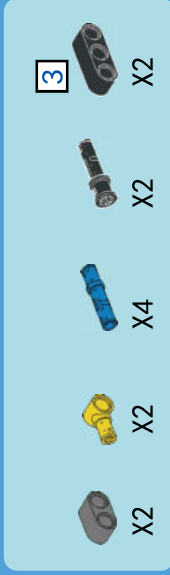
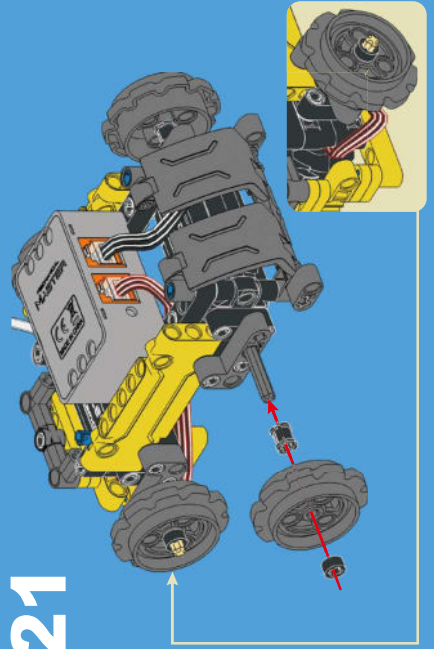
18



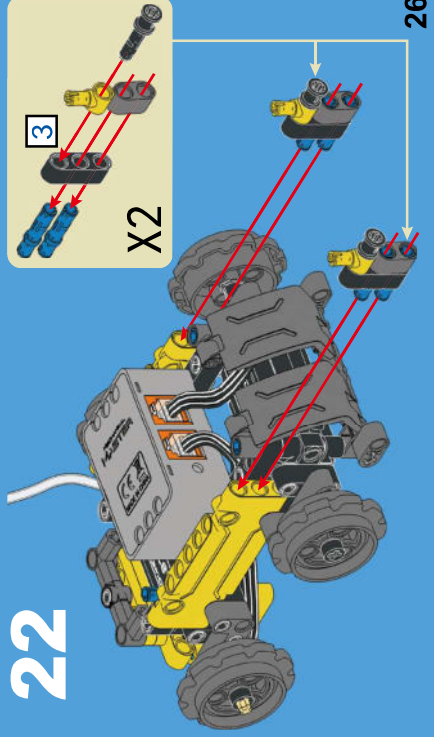
20



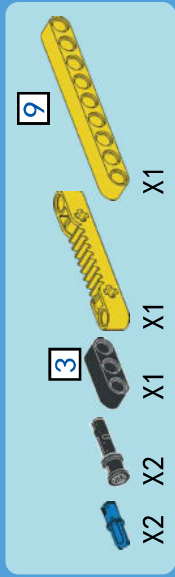
21



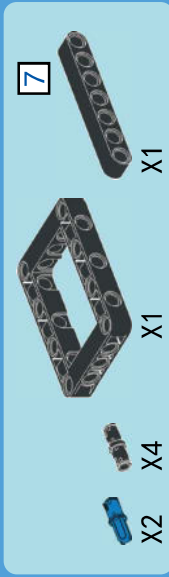
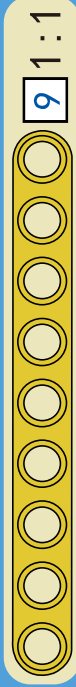
22



26

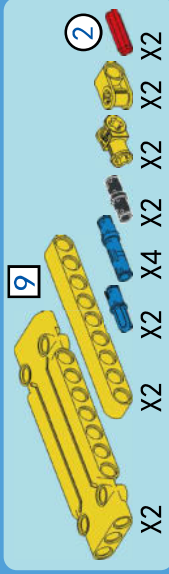


23

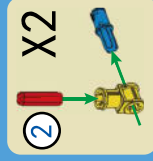


24

25

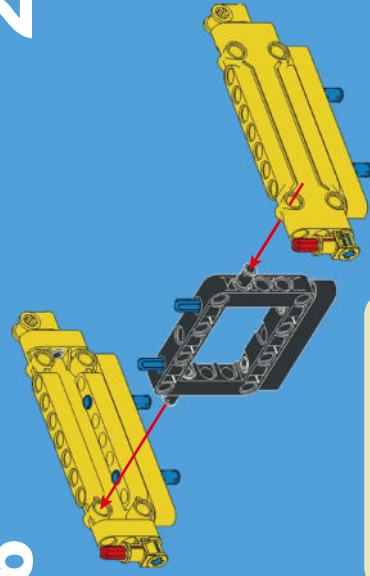
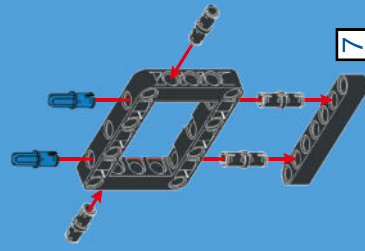


25

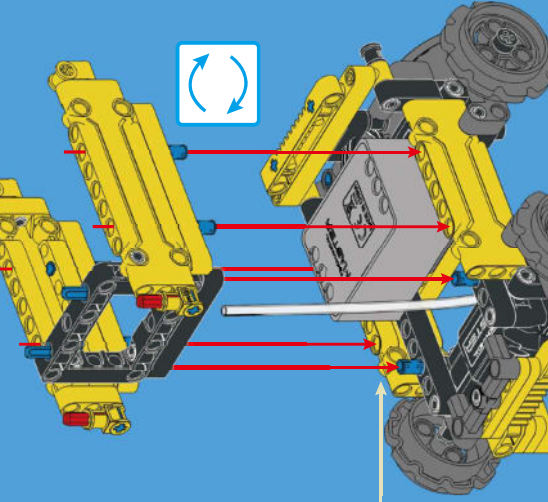
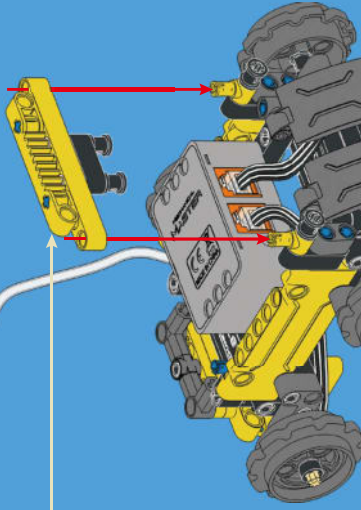
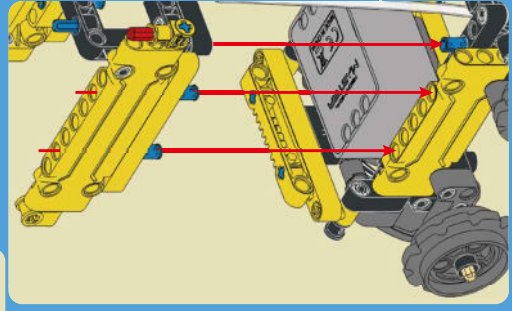
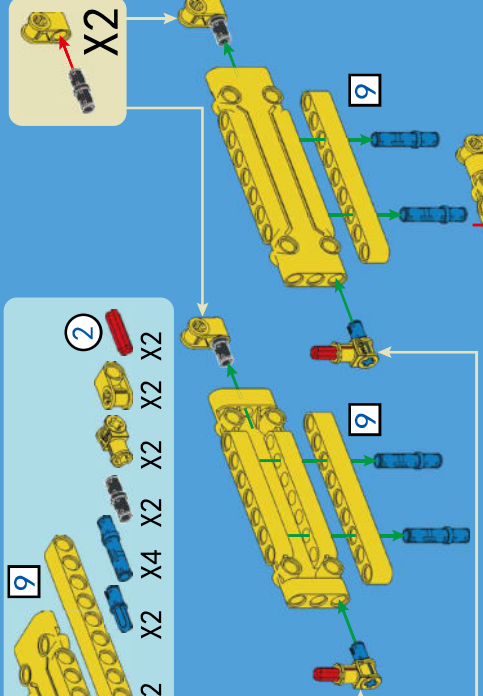
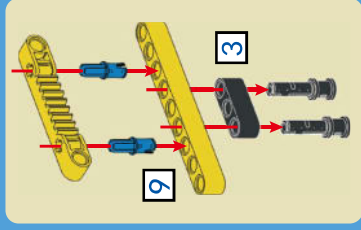


26

27

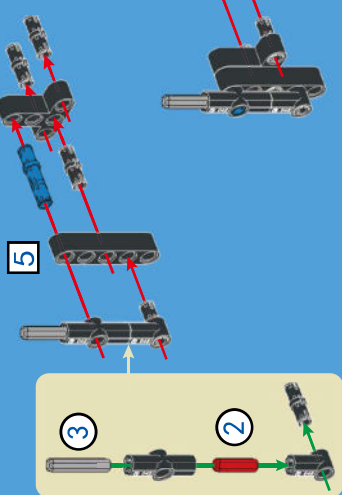


27



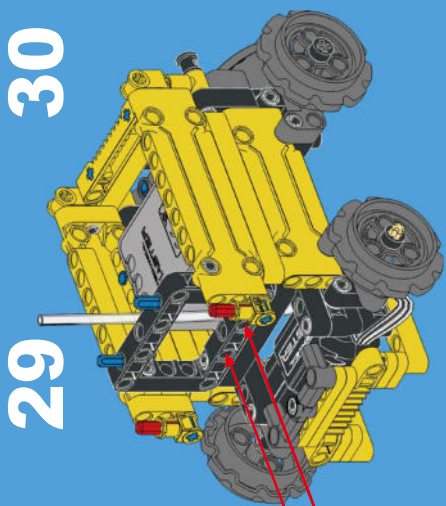
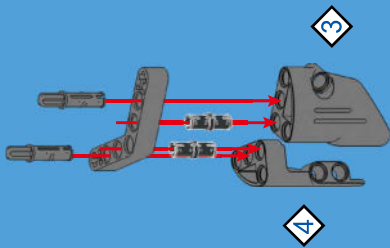
- ② X4 X1
- ③ X1 X1 X1 X1 X1 X1
- ⑤ X1 X1 X1

28



- X2 X2
- X1 X1 X1
- ③ X1
- ④ X1

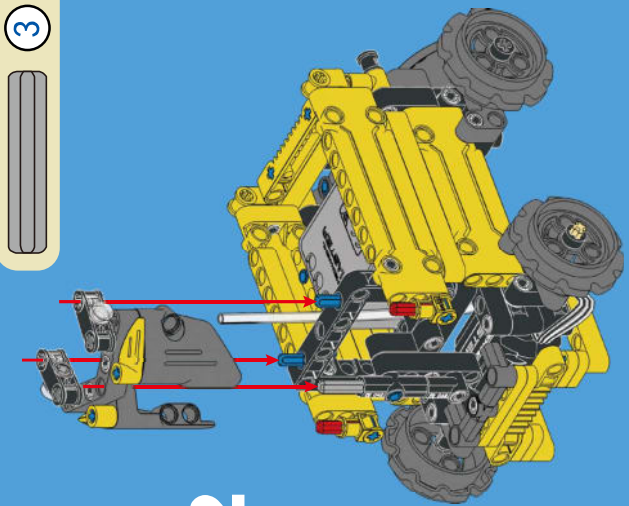
30



29

- ② 1:1

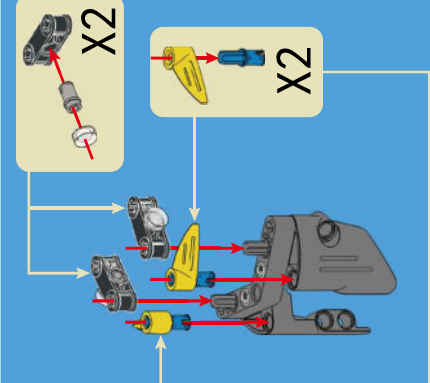
- ③ 1:1

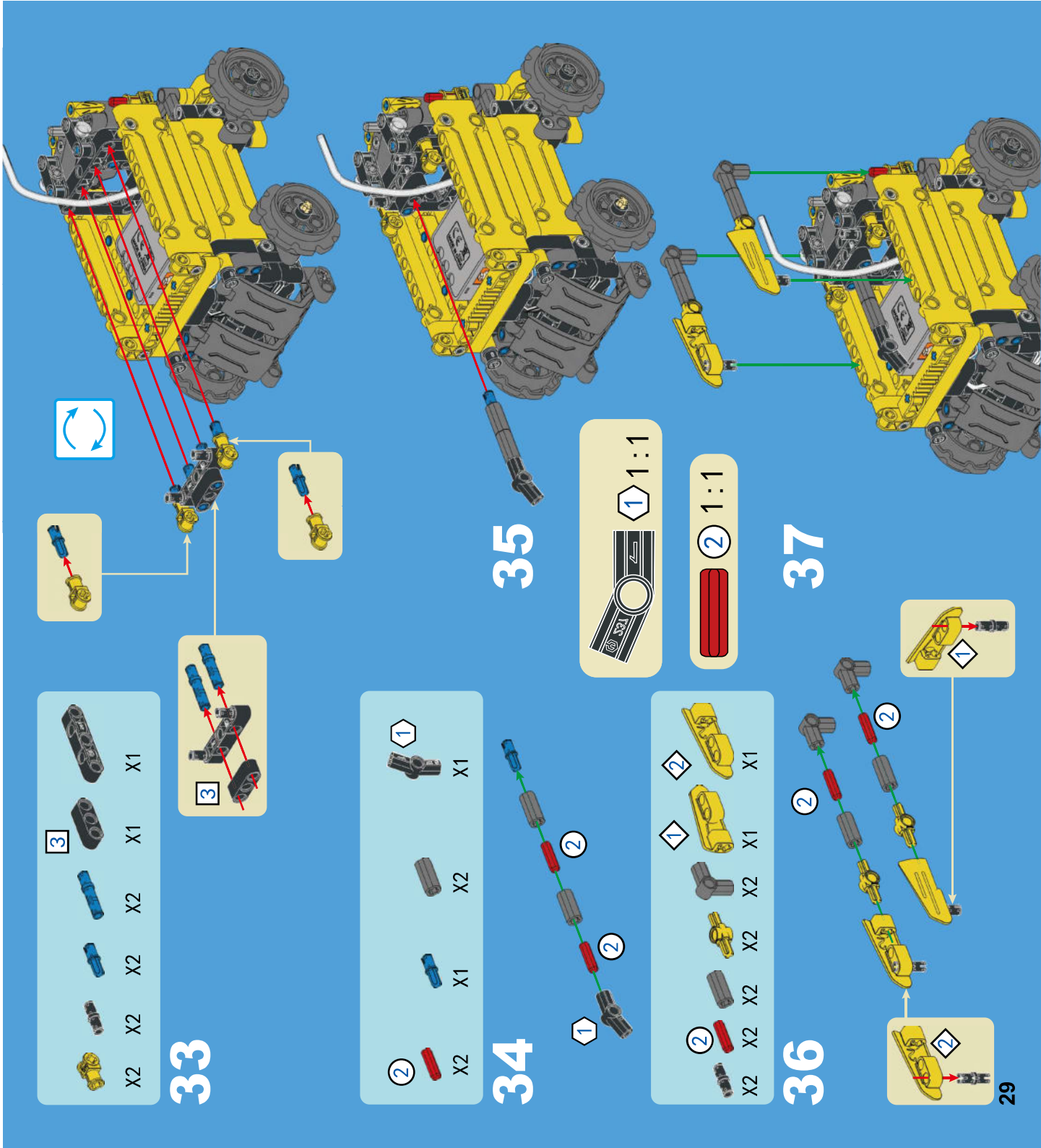


32

- X2 X2
- X2 X2
- X2 X2
- X2 X2

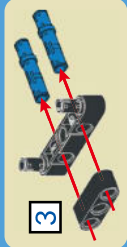
31





- X2
- X2
- X2
- X2
- X2
- X1
- X1
- X1

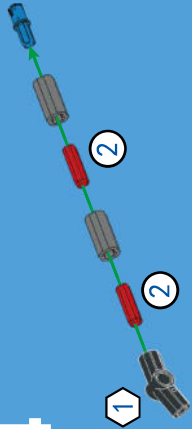
33



3

- X2
- X1
- X2
- X1

34



1

2

2

2

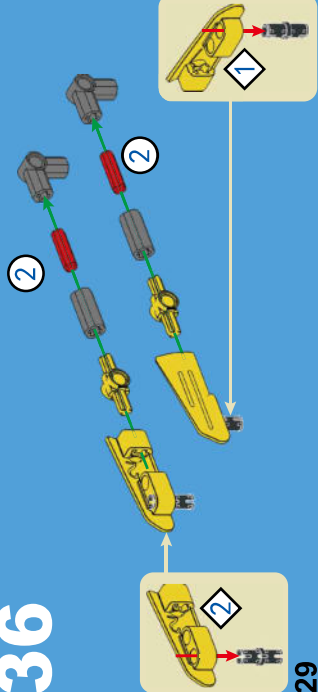


35

1 1:1

- X2
- X2
- X2
- X2
- X2
- X1
- X1
- X1

36



2

2

2

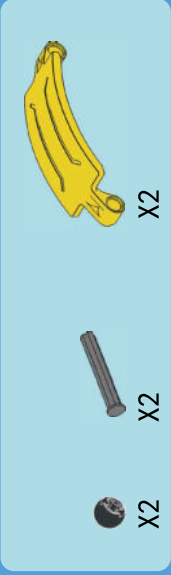
2

1

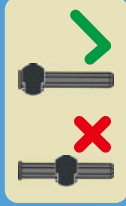
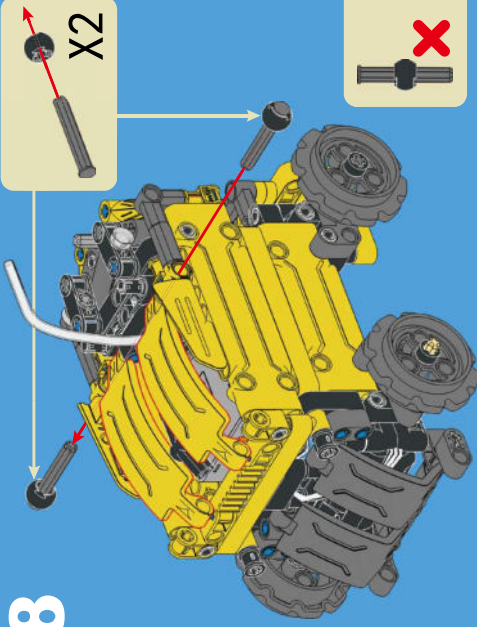


37

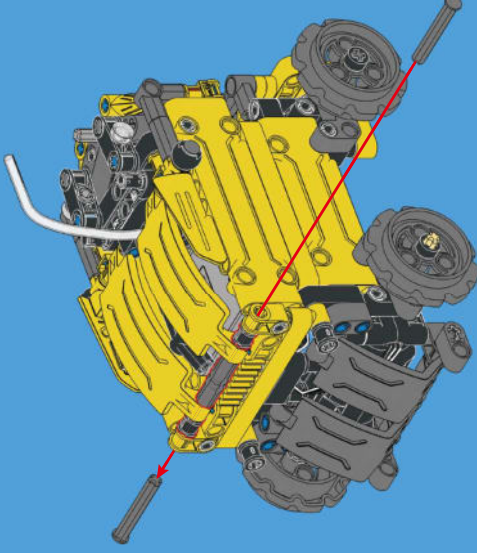
2 1:1



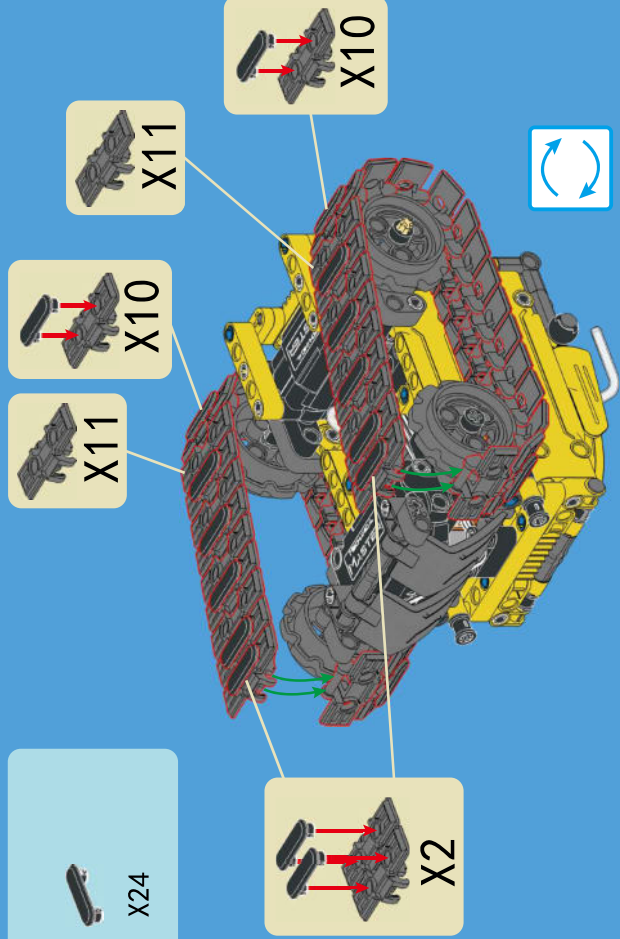
38

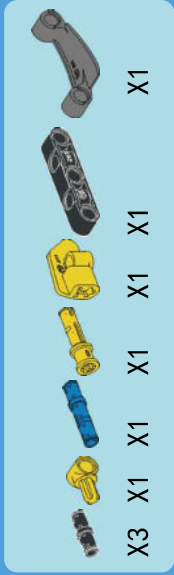


39

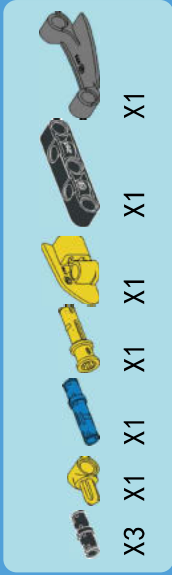
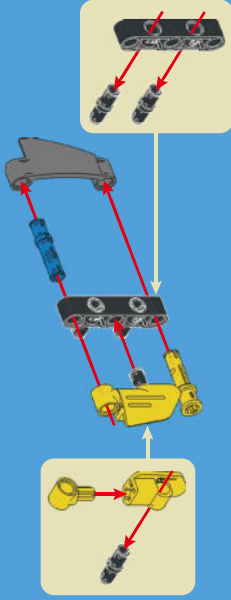


40

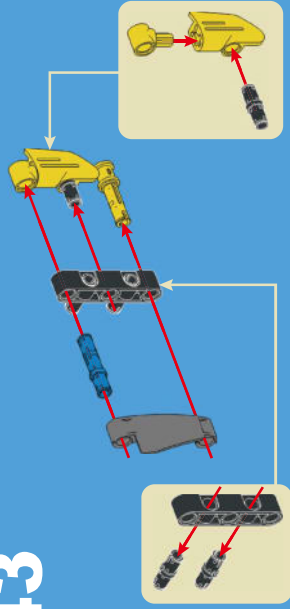




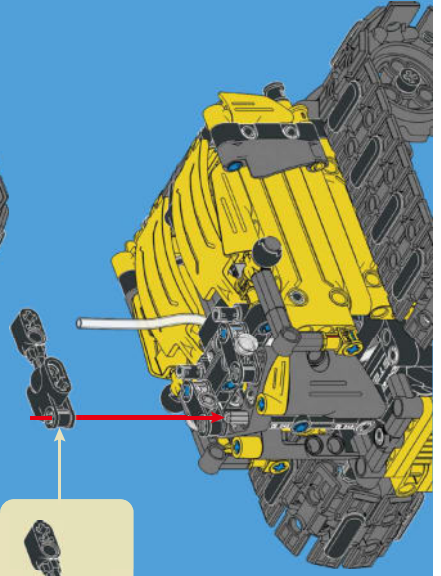
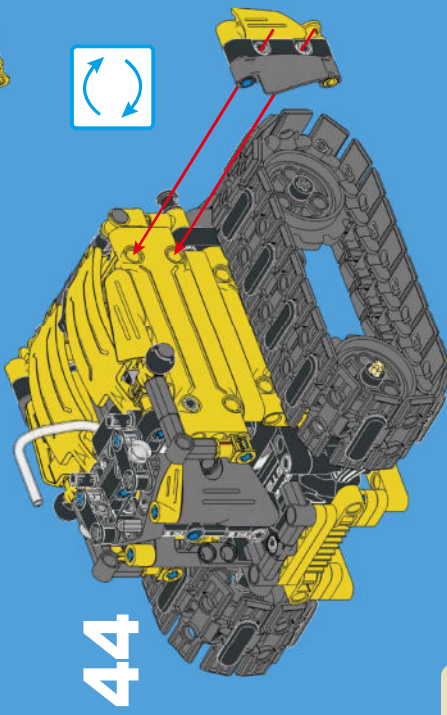
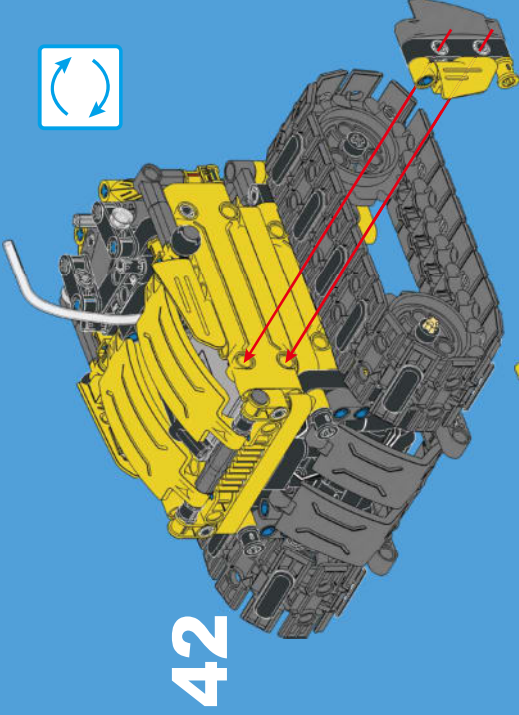
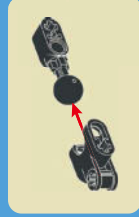
41



43

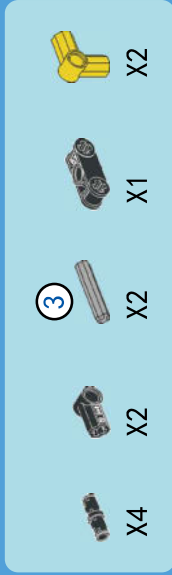
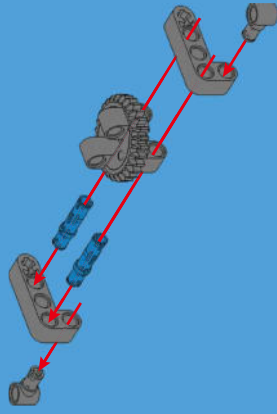


45

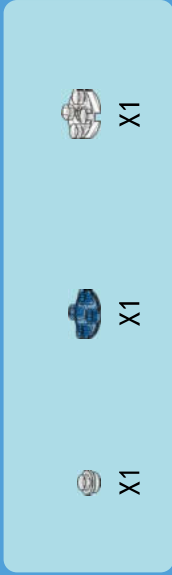
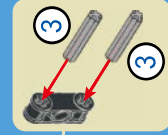
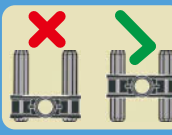
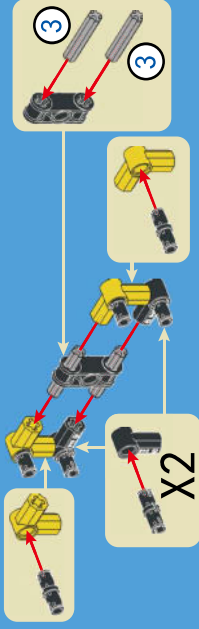




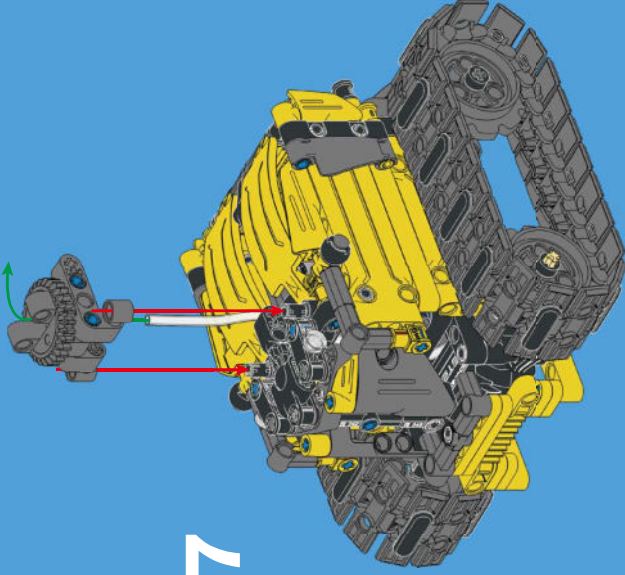
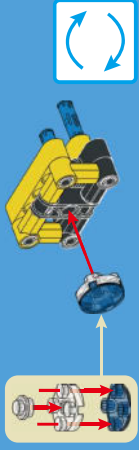
46



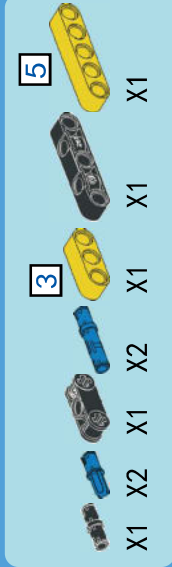
48



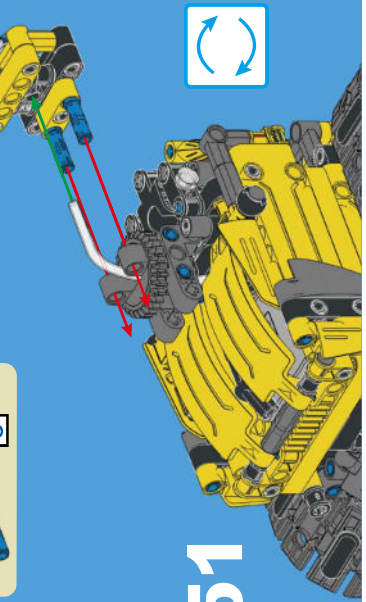
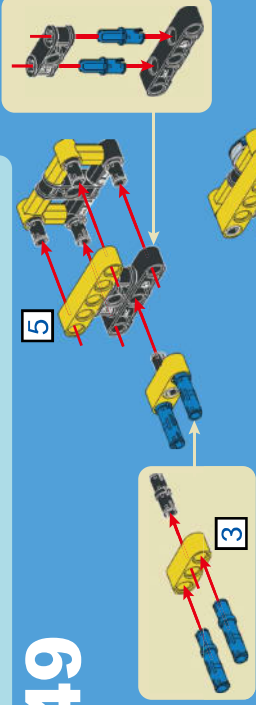
50



47



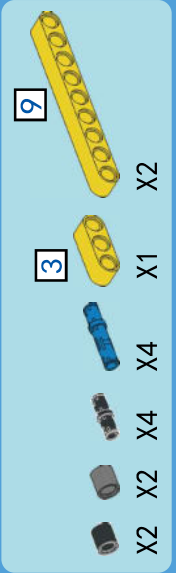
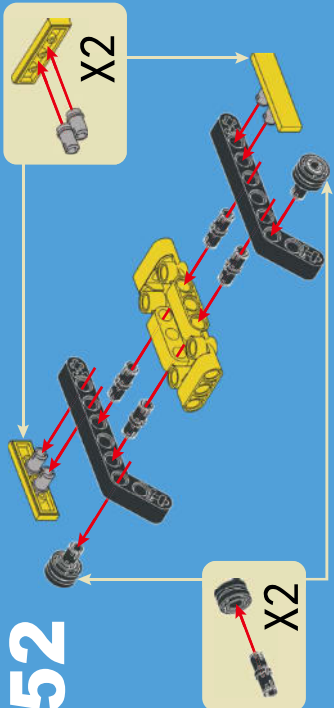
49



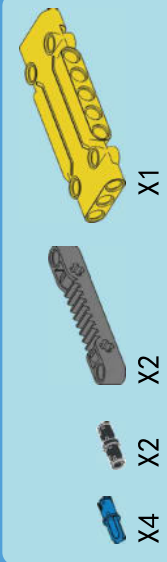
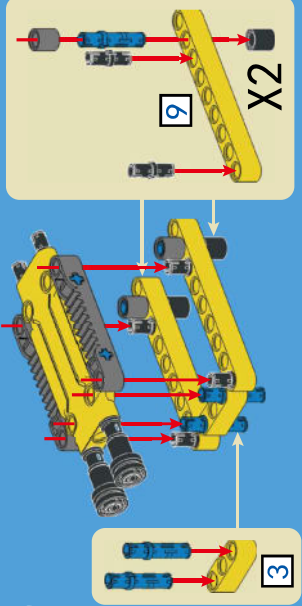
51



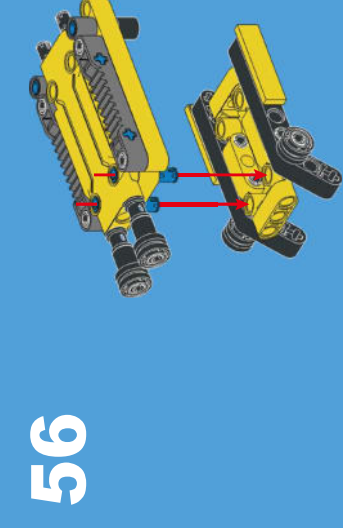
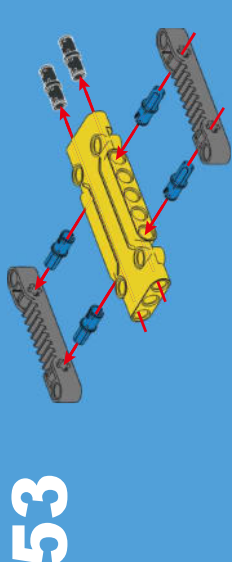
52



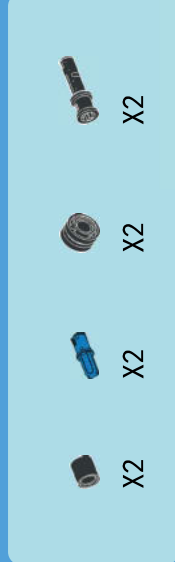
55



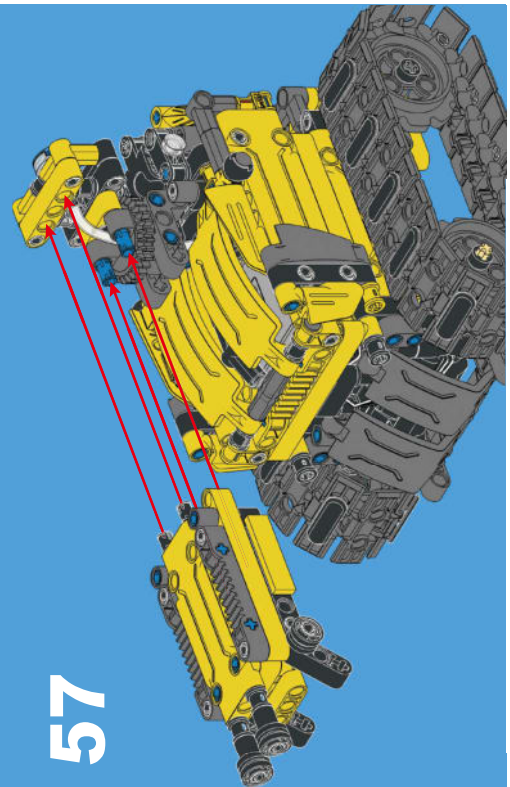
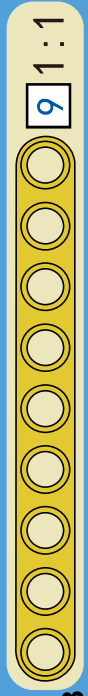
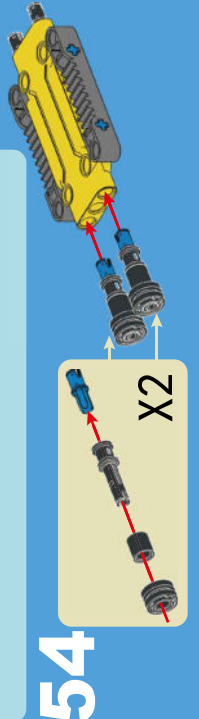
53



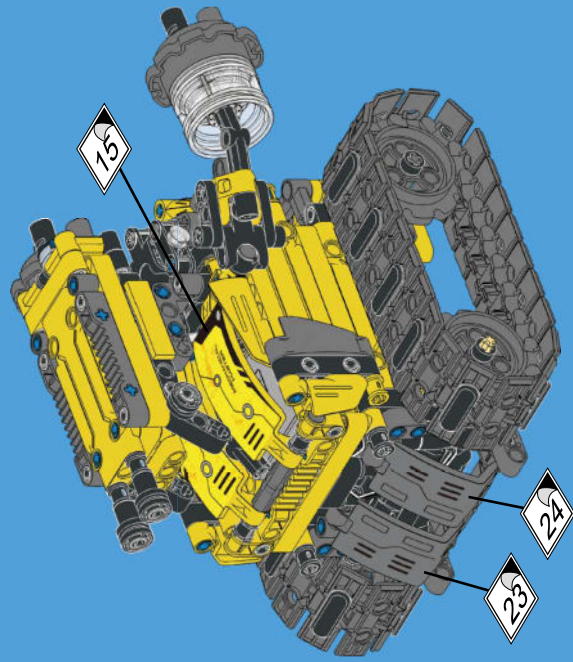
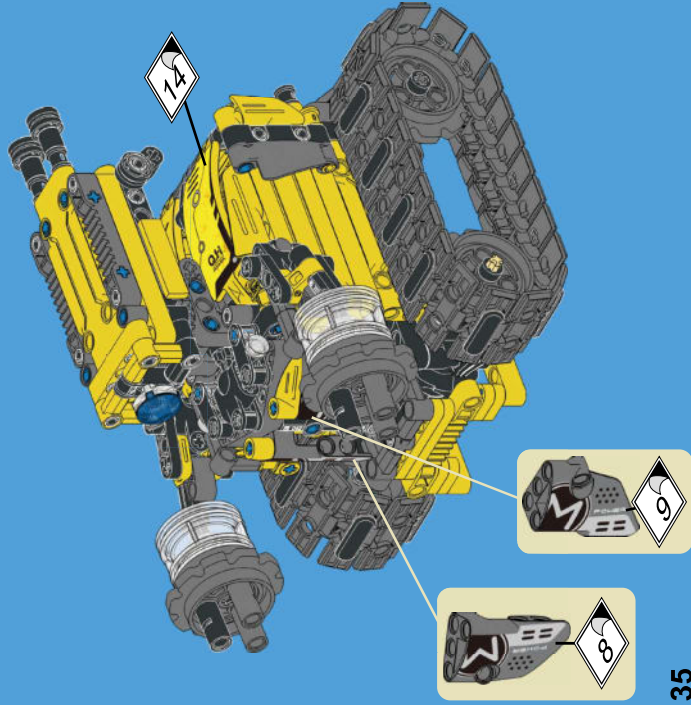
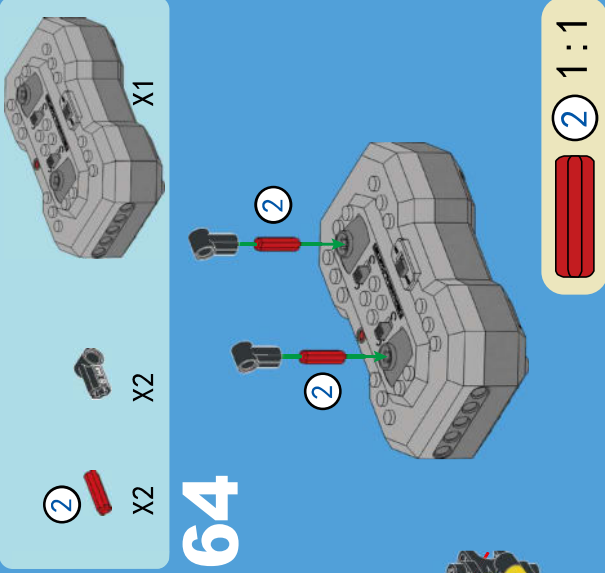
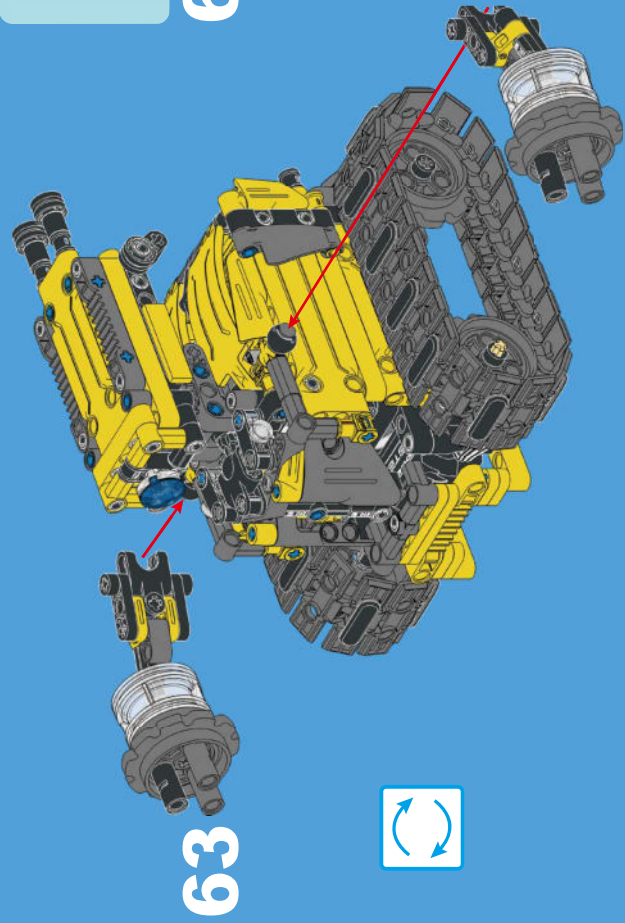
56

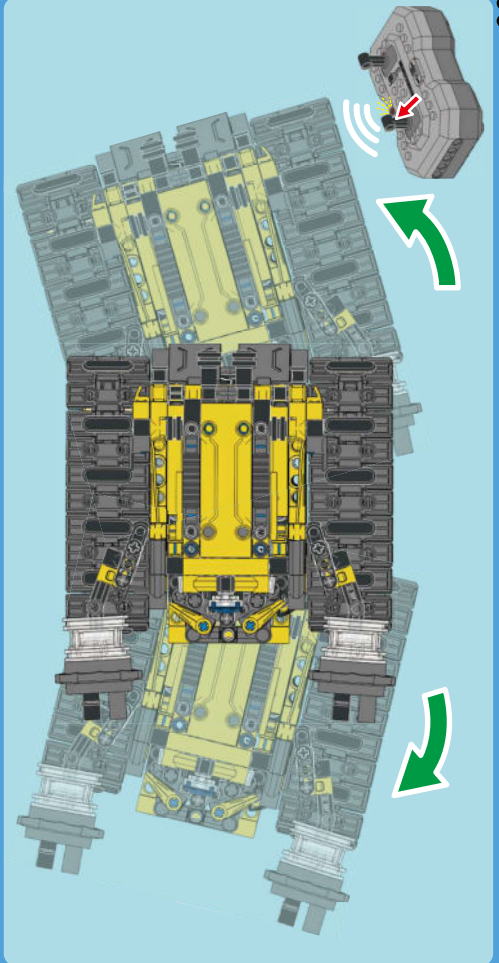
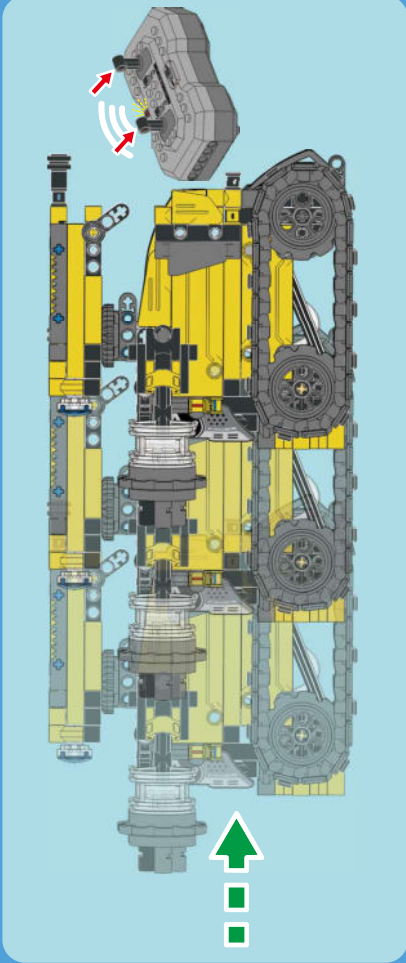
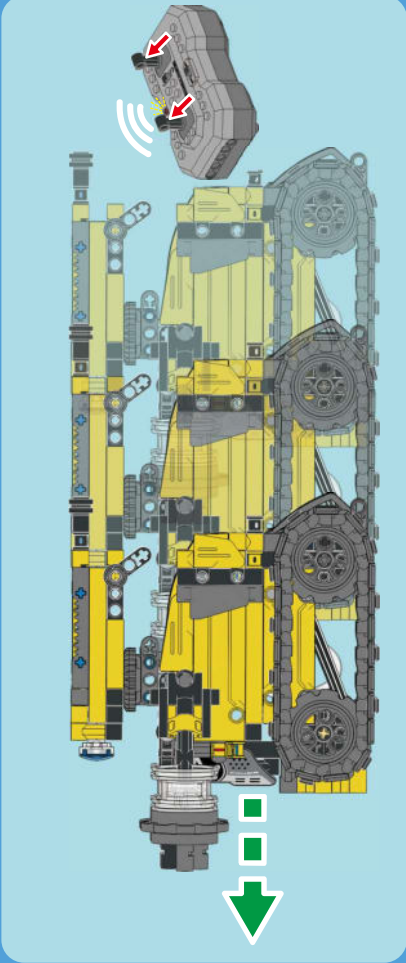
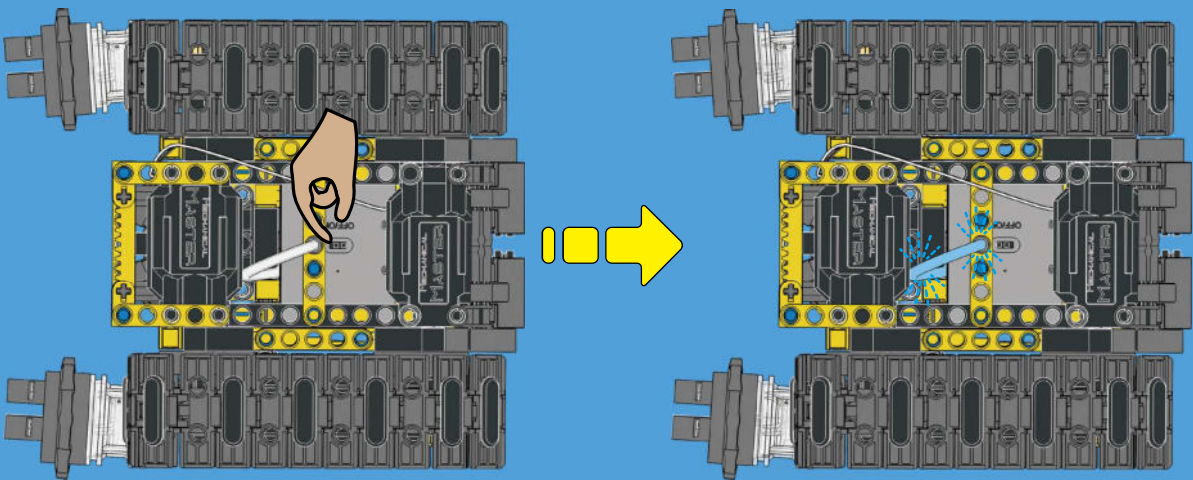


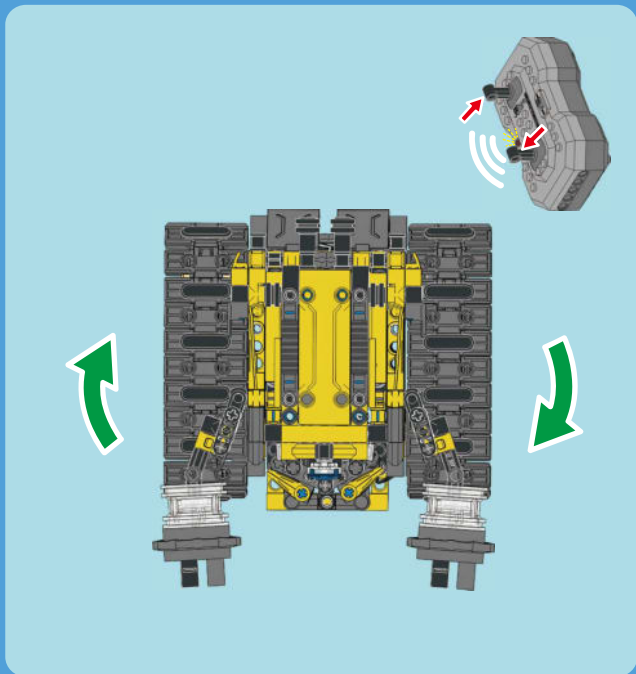
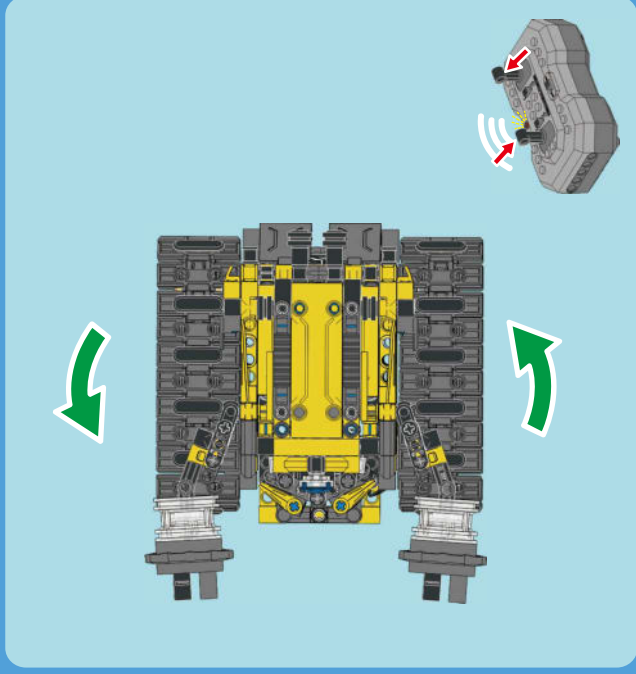
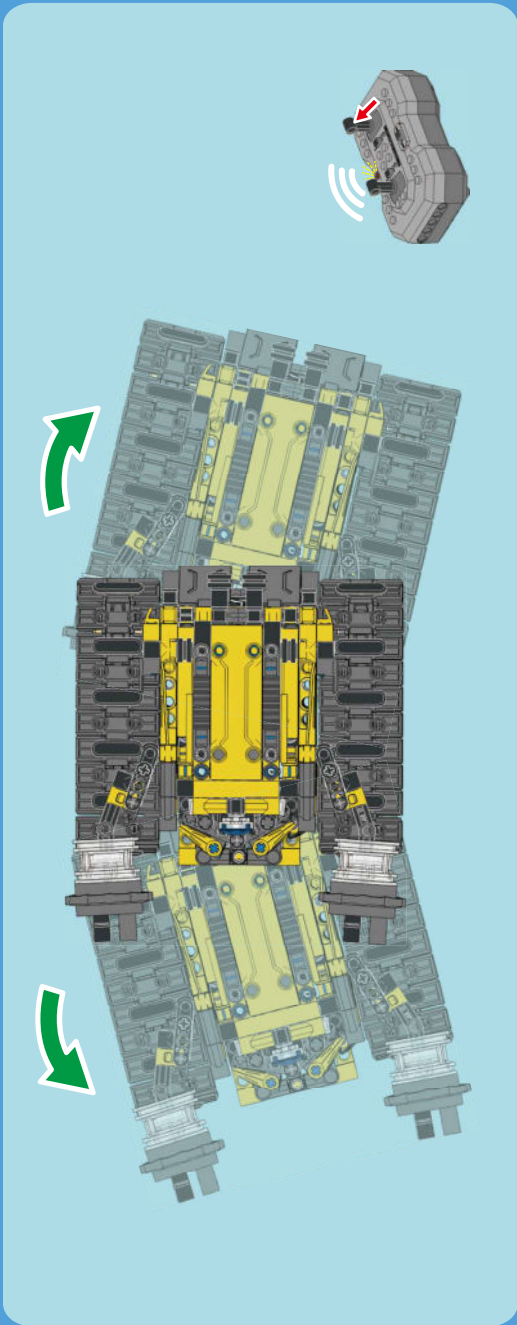
54



57







***Please feel free to contact us at service@sillbird.com
directly when any problem happens to you. All emails
will be replied within 24 hours.***

PARTS-SERVICE-REPAIR

Email: service@sillbird.com

Website: www.sillbird.com

Business Hour Mon.- Sat.9 a.m. to 6 p.m. (GMT+08:00)



ATTENTION:

WARNING! CHOKING HAZARD-Small parts, not for children under 3 years old. Read all instructions before use. Always remove all packages before giving the toys to the kids. Use under adult supervision. This package contains important information, please keep it for further reference. If small parts are swallowed or inhaled, seek medical attention immediately.

AVERTISSEMENT! RISQUE D'ÉTRANGLEMENT - Petites pièces, pas pour les enfants de moins de 3 ans. Lisez toutes les instructions avant utilisation. Retirez toujours tous les paquets avant de donner les jouets aux enfants. Utilisez sous la surveillance d'un adulte. Ce paquet contient des informations importantes, veuillez le conserver pour référence ultérieure. En cas d'ingestion ou d'inhalation de petites pièces, consultez immédiatement un médecin.

ACHTUNG! Erstickungsgefahr - Kleinteile, nicht für Kinder unter 3 Jahren. Lesen Sie bitte die gesamte Bedienungsanleitung vorsichtig vor Gebrauch. Entfernen Sie bitte alle Packung, bevor Sie den Kindern dieses Spielzeug geben. Bitte unter Aufsicht von Erwachsenen verwenden. Diese Packung enthält wichtige Informationen und Warnhinweise. Bitte die Bedienungsanleitung für weitere Verwendung bewahren. Bitte sofort zum Arzt gehen, wenn die Kleinteile verschluckt oder eingeatmet wurden.

ADVERTENCIA! PELIGRO DE CHOQUE- piezas pequeñas, no para niños menores de 3 años. Lea todas las instrucciones antes de usar. Siempre retire todos los paquetes antes de dar los juguetes a los niños. Usar bajo supervisión de un adulto. Este paquete contiene información importante, consérvelo para más referencias. Si se ingieren o inhalan piezas pequeñas, busque atención médica de inmediato.

ATTENZIONE! RISCHIO DI CHOKING- Piccole parti, non per bambini di età inferiore a 3 anni. Leggere tutte le istruzioni prima dell'uso. Rimuovere sempre tutti i pacchetti prima di dare i giocattoli ai bambini. Utilizzare sotto la supervisione di un adulto. Questo pacchetto contiene informazioni importanti, ti preghiamo di conservarle per ulteriori riferimenti. In caso di ingestione o inalazione di piccole parti, consultare immediatamente un medico.

注意事項!初めて製品を使用する前に、しっかり説明書を読んでください。子供にあげる前に、必ずおもちゃをパッケージに取り出してください。必ず大人の監督のもとに使用してください。パッケージには重要な情報がありますので、参考するため、しっかり保存してください。もし子供が小さい部品を飲み込んだか吸い込んだ場合には、すぐに病院の診療を受けてください。

FCC Warning:

This equipment has been tested and found to comply with the limits for a Class B digital device, pursuant to part 15 of the FCC Rules. These limits are designed to provide reasonable protection against harmful interference in a residential installation. This equipment generates, uses and can radiate radio frequency energy and, if not installed and used in accordance with the instructions, may cause harmful interference to radio communications. However, there is no guarantee that interference will not occur in a particular installation. If this equipment does cause harmful interference to radio or television reception, which can be determined by turning the equipment off and on, the user is encouraged to try to correct the interference by one or more of the following measures:

- Reorient or relocate the receiving antenna.
- Increase the separation between the equipment and receiver.
- Connect the equipment into an outlet on a circuit different from that to which the receiver is connected.
- Consult the dealer or an experienced radio/TV technician for help.

Caution: Any changes or modifications to this device not explicitly approved by manufacturer could void your authority to operate this equipment.

This device complies with part 15 of the FCC Rules. Operation is subject to the following two conditions:

- (1) This device may not cause harmful interference, and
- (2) this device must accept any interference received, including interference that may cause undesired operation.

The device has been evaluated to meet general RF exposure requirement.

The device can be used in portable exposure condition without restriction.