

深圳市迪比通通讯设备有限公司

# 产品规格承认书

## SPECIFICATIONS

客户:

CUSTOMER: \_\_\_\_\_

产品名称:

DESCRIPTION: \_\_\_\_\_ 双极天线

客户型号:

CUSTOMER PART NO: \_\_\_\_\_

产品型号:

OUR MODEL NO: \_\_\_\_\_ DBT2012MA01

日期:

DATE: \_\_\_\_\_ 2020/12/22

# DBT2012MA01 Specification

Operating Temp. : -40°C~+85°C

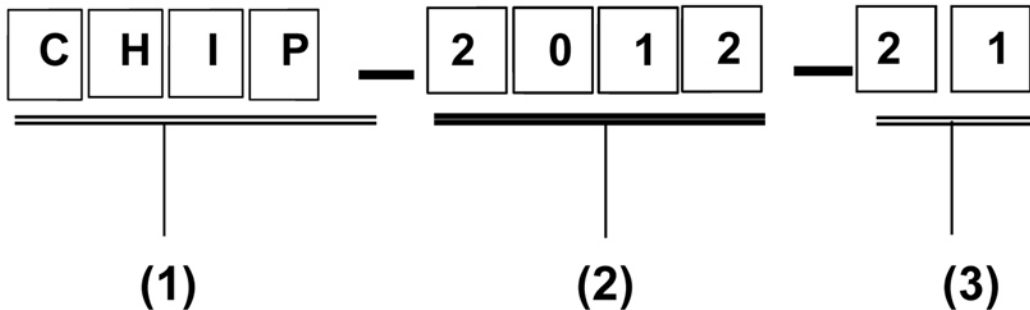
## 1. FEATURES:

- Light weight, compact
- Wide bandwidth, low cost
- Built-in antenna with high gain

## 2. APPLICATIONS:

- Bluetooth, Wireless LAN, Mobile TV
- Home RF System, etc

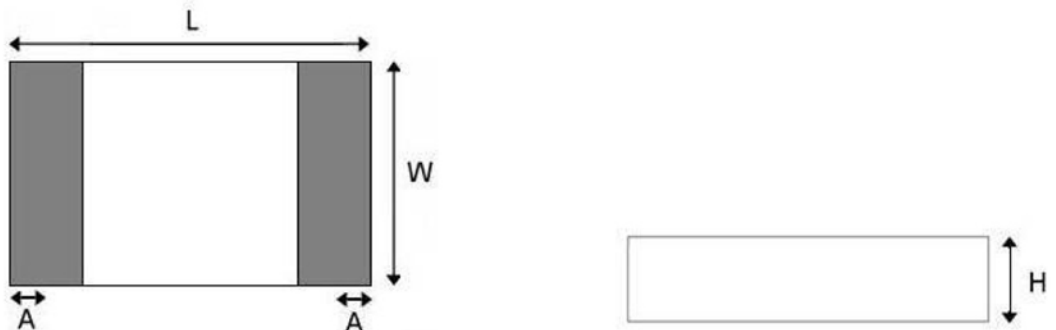
## 3. PRODUCT IDENTIFICATION



(1) Product type: Multilayer chip Antenna

(2) External Dimensions (L×W) (mm): 2.0\*1.2

## 4. SHAPE AND DIMENSIONS:



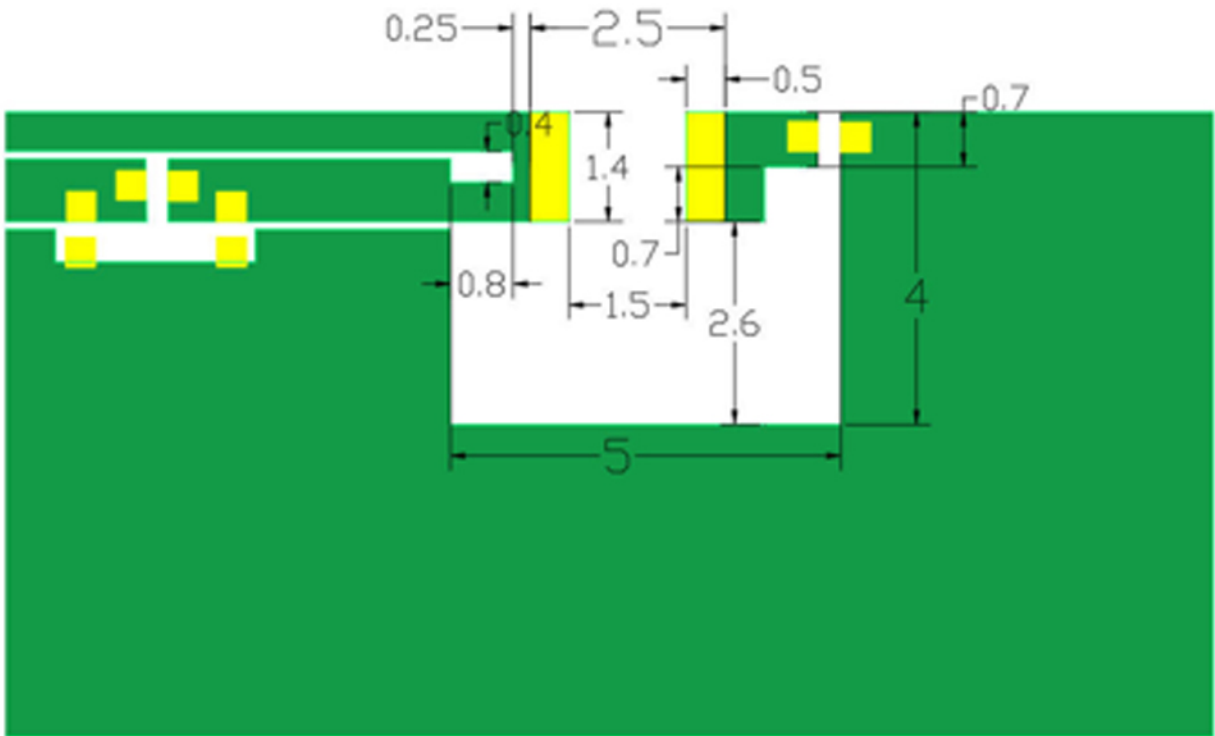
### SHAPE AND DIMENSIONS

| L       | W       | H        | A       |
|---------|---------|----------|---------|
| 2.0±0.2 | 1.2±0.2 | 0.55±0.1 | 0.4±0.1 |

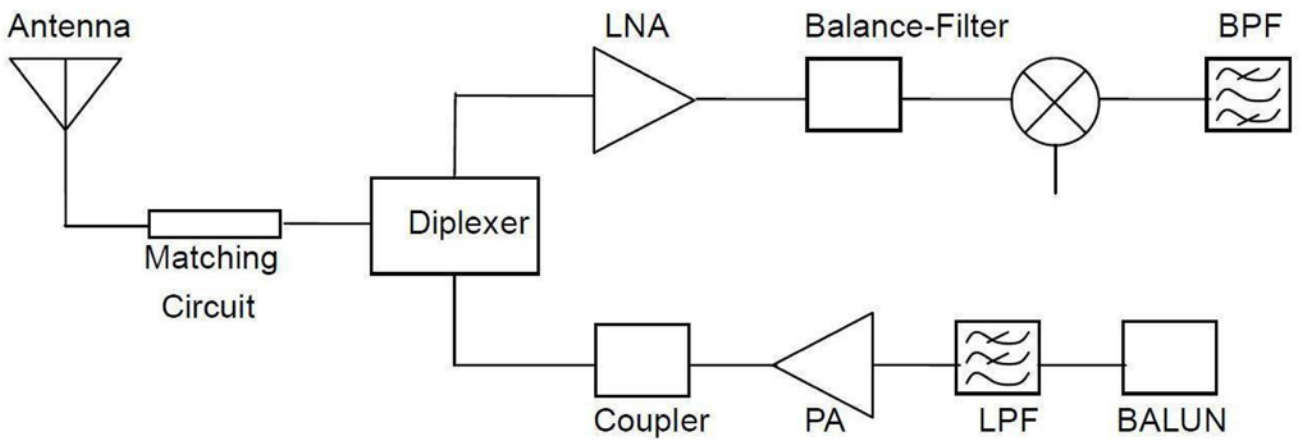
## TERMINAL-CONFIGURATION



## EVALUATION BOARD



## APPLICATION GUIDE



## 5. SPECIFICATIONS:

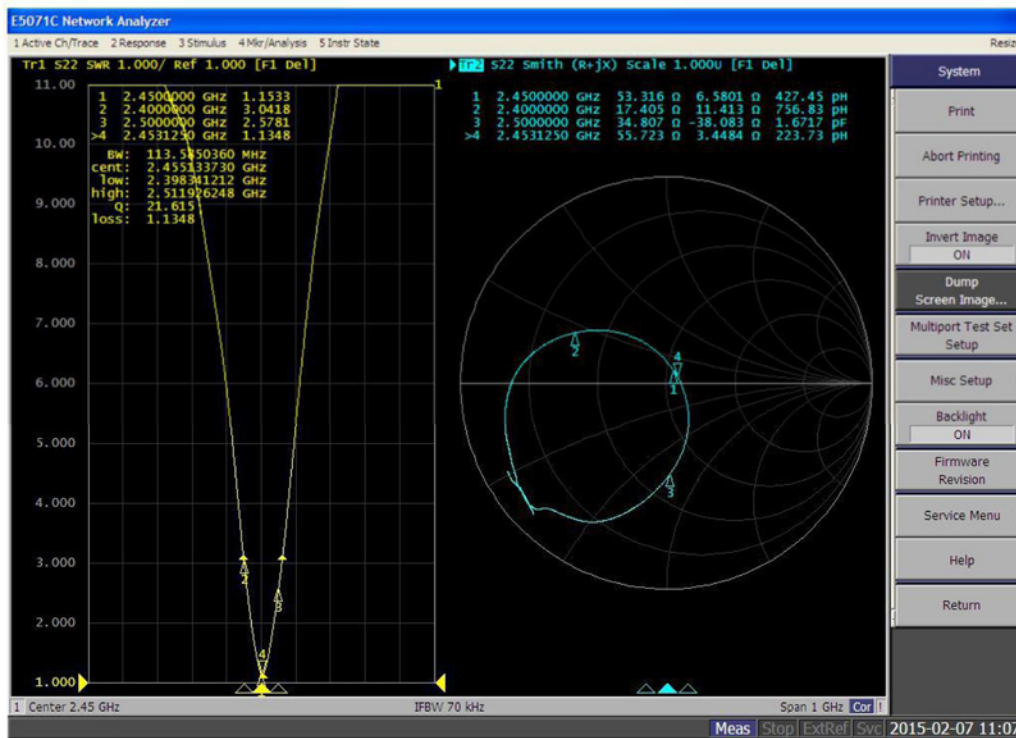
| ITEM             | SPECIFICATION   |
|------------------|-----------------|
| Frequency Band   | 2400MHz~2483MHz |
| VSWR             | Less than 3     |
| Polarization     | Linear          |
| *Peak Gain       | 2.48 dBi Typ.   |
| *Peak Efficiency | 72.6% Typ.      |
| Impedance        | 50 Ω Typ.       |

\* Test condition: Test board size 98\*65 mm

Matching circuit: Pi matching circuit will be required

## 6. Electrical Characteristics :

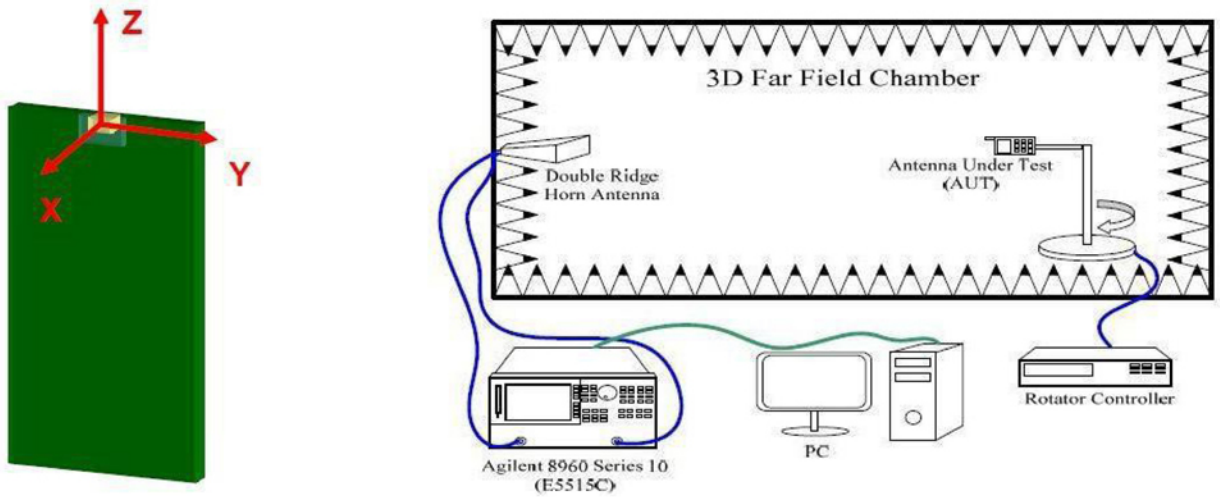
### VSWR



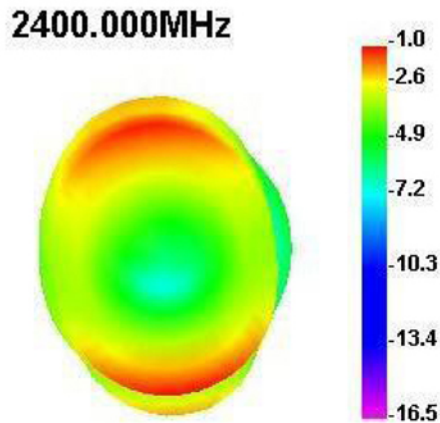
| Mark | Frequency | VSWR |
|------|-----------|------|
| 1    | 2400 MHz  | 3.04 |
| 2    | 2450 MHz  | 1.15 |
| 3    | 2500 MHz  | 2.57 |

## Radiation Pattern

The Gain pattern is measured in INPAQ's FAR-field chamber. DUT is placed on the table of rotator, a standard horn antenna and Vector Network Analyzer is used to collect data.



### 3D Gain Pattern (2400 MHz)



### 2D Gain Pattern (2400 MHz)

