

# Antenna Specification

---

**Name:** PCB Antenna

**Part number:** 30152

**Frequency:** 2402MHz~2480MHz

**V.S.W.R:** 2.0

**Gain (dBi) :** 0dBi

**Impedance:** 50  $\Omega$

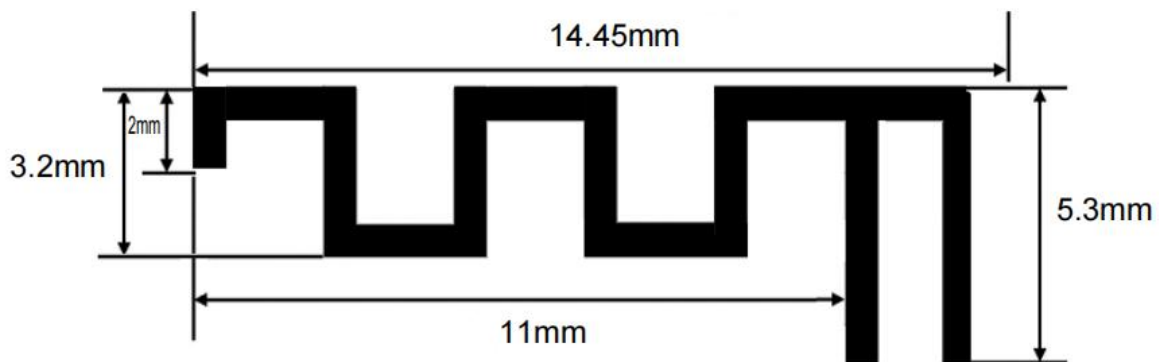
## **Manufacturer:**

SHENZHEN DAJIAHAO TECHNOLOGY CO.LTD

A516 Zhihui Innovation Center, Hangcheng Industrial Zone,  
Xixiang, Bao'an District, Shenzhen, Guangdong

## **size:**

Antenna Photo & Length (mm)



# Antenna Specification

## Antenna Performance Test

