

---

# Antenna Specification

---

**Name:** 21887-1.0

**Frequency:** 2.4GHz

**V.S.W.R:** 2.0 max

**Gain (dBi) :** 6.7 dBi@2.4GHz

**Antenna Type:** FPC antenna

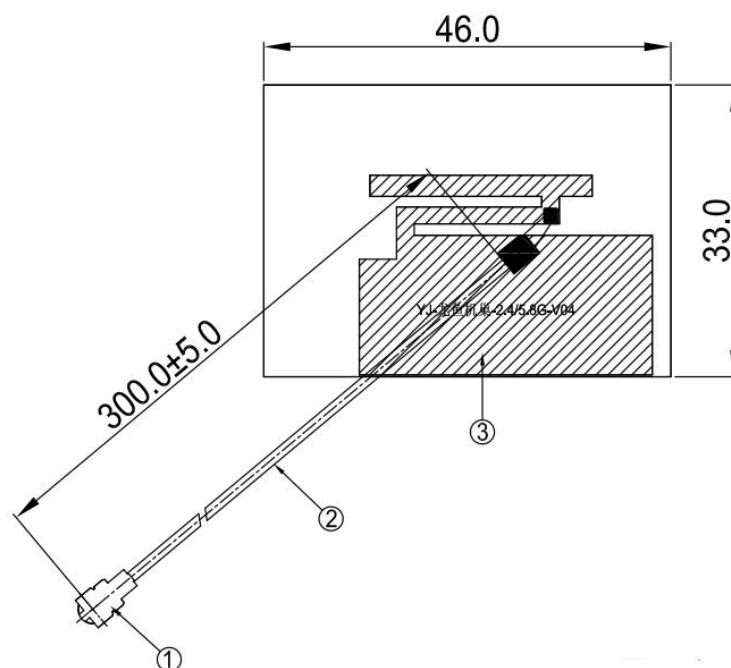
**Impedance:** 50  $\Omega$

**Manufacturer:**

Dongguan Yijia Electronic Communication Technology Co.,  
Ltd

59 Shatoumuyu Road, Chang'an Town, Dongguan City

**size:**

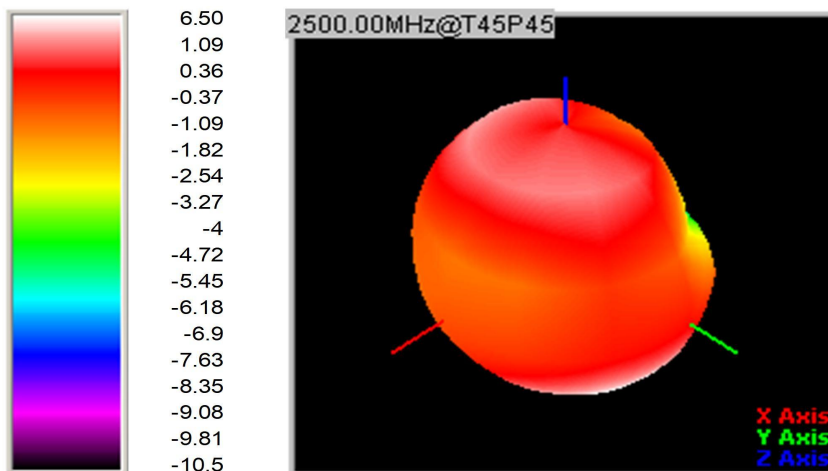
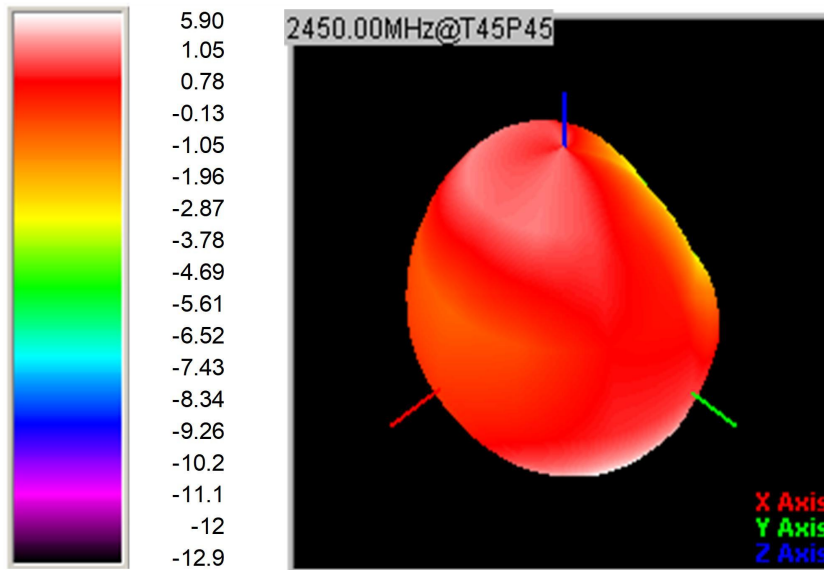
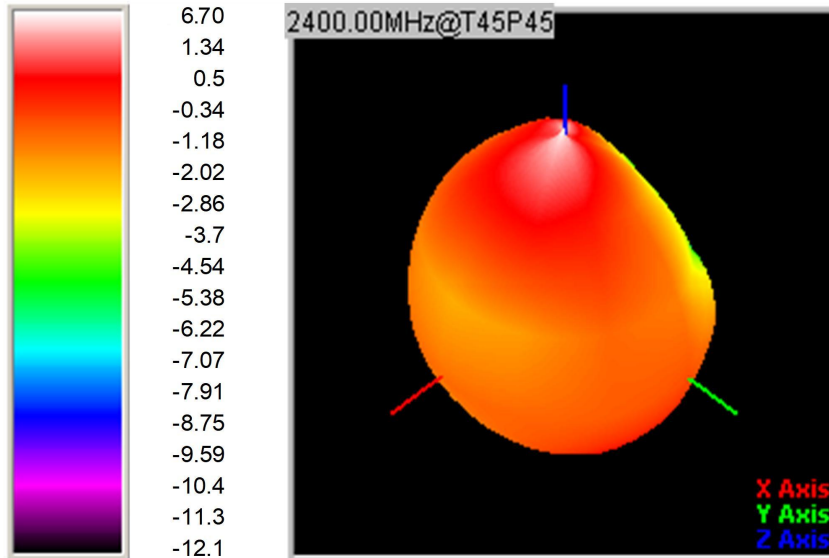


---

# Antenna Specification

---

## Antenna Performance Test



---

## Antenna Specification

---

Passive Test For WiFi2.4G			
Freq (MHz)	Effi (%)	Effi (dB)	Gain (dBi)
2400	67.0	-1.7	6.7
2410	65.2	-1.9	6.5
2420	62.5	-2.0	6.1
2430	61.8	-2.1	6.1
2440	59.2	-2.3	5.8
2450	58.8	-2.3	5.9
2460	57.7	-2.4	5.7
2470	62.8	-2.0	6.4
2480	62.8	-2.0	6.2
2490	67.0	-1.7	6.7
2500	65.2	-1.9	6.5