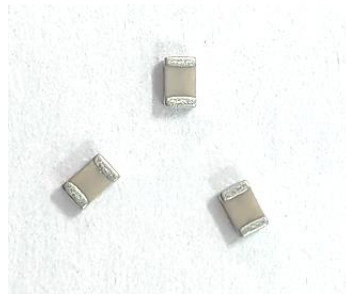


## 2.0X1.2X0.65 (mm) WiFi/Bluetooth Ceramic Chip Antenna (YF2012C2) Engineering Specification

### 1. Product Number

|    |      |    |   |      |
|----|------|----|---|------|
| YF | 2012 | C2 | P | 2G45 |
| 1  | 2    | 3  | 4 | 5    |



|                 |                |
|-----------------|----------------|
| (1)Product Type | Chip Antenna   |
| (2)Size Code    | 2.0x1.2x0.65mm |
| (3)Type Code    | C2             |
| (4)Packing      | Paper &Reel    |
| (5)Frequency    | 2.45GHz        |



深圳市迎丰天线技术有限公司

SHEN ZHEN YINGFENG ANTENNA TECHNOLOGYCO.,LTD

Prepared by : **JIEXI**

Designed by : **Jason**

Checked by : **Jason**

Approved by : **MR.FANG**

**TITLE : 2.0 x 1.2 x 0.65(mm) WiFi/Bluetooth Ceramic Chip Antenna (YF2012C2) Engineering Specification**

**DOCUMENT NO.**

**YF2012C2P2G45**

**REV. A**

## 2. Features

- \*Stable and reliable in performances
- \*Low temperature coefficient of frequency
- \*Low profile, compact size
- \*RoHS compliance
- \*SMT processes compatible

## 3. Applications

- \*Bluetooth earphone systems
- \*Hand-held devices when WiFi /Bluetooth functions are needed, e.g., Smart phone.
- \*IEEE802.11 b/g/n
- \*ZigBee
- \*Wireless PCMCIA cards or USB dongle

## 4. Description

Yingfeng chip antenna series are specially designed for WiFi/Bluetooth applications. Based on yingfeng proprietary design and processes, this chip antenna has excellent stability and sensitivity to consistently provide high signal reception efficiency.

## 5. Electrical Specifications (80 x 40 mm<sup>2</sup> ground plane)

### 5-1. Electrical Table

| Characteristics    |            | Specifications      | Unit |
|--------------------|------------|---------------------|------|
| Outline Dimensions |            | 2.0x1.2x0.65        | mm   |
| Working Frequency  |            | 2400~2500           | MHz  |
| VSWR               |            | 2 Max.              |      |
| Impedance          |            | 50                  | Ω    |
| Polarization       |            | Linear Polarization |      |
| Gain               | Peak       | 2.5 (typical)       | dBi  |
|                    | Efficiency | 75 (typical)        | %    |



深圳市迎丰天线技术有限公司

SHEN ZHEN YINGFENG ANTENNA TECHNOLOGY CO., LTD

Prepared by : JIEXI

Designed by : Jason

Checked by : Jason

Approved by : MR.FANG

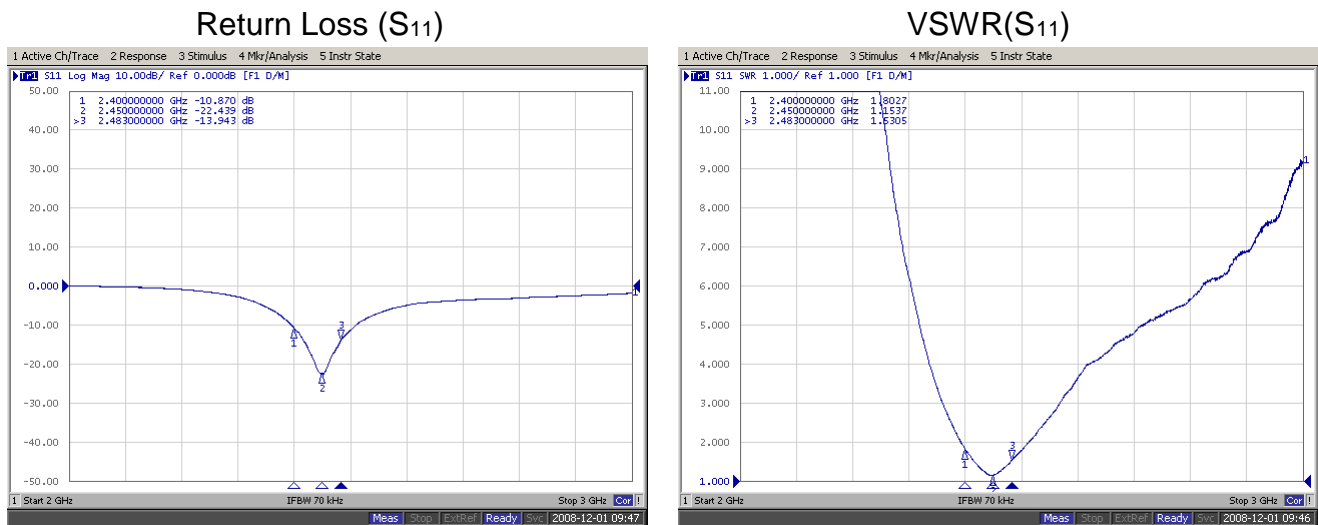
TITLE : 2.0 x 1.2 x 0.65(mm) WiFi/Bluetooth Ceramic Chip  
Antenna (YF2012C2) Engineering Specification

DOCUMENT  
NO.

YF2012C2P2G45

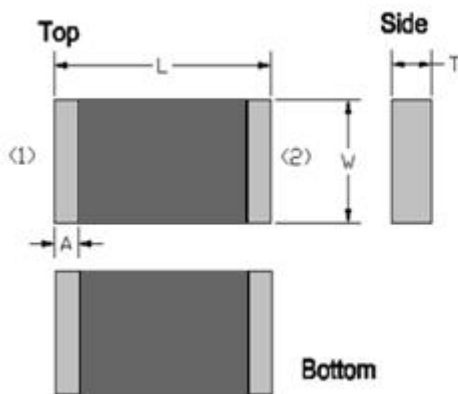
REV.  
A

## 5-2. Return Loss & VSWR



## 6. Antenna Dimensions & Test Board (unit: mm)

### a. Antenna Dimensions



| Dimension (mm) |           |
|----------------|-----------|
| L              | 2.05±0.15 |
| W              | 1.20±0.15 |
| T              | 0.65±0.10 |
| A              | 0.20±0.10 |

| No. | Terminal Name |
|-----|---------------|
| 1   | Feeding/GNG   |
| 2   | GND/Feeding   |

*P.S : Top & down and left & right side are symmetrical, No direction*



深圳市迎丰天线技术有限公司

SHEN ZHEN YINGFENG ANTENNA TECHNOLOGY CO., LTD

Prepared by : JIEXI

Designed by : Jason

Checked by : Jason

Approved by : MR.FANG

TITLE : 2.0 x 1.2 x 0.65(mm) WiFi/Bluetooth Ceramic Chip  
Antenna (YF2012C2) Engineering Specification

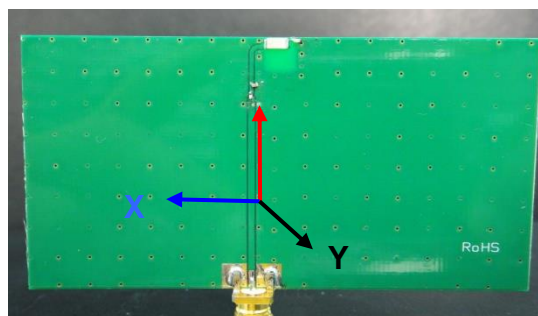
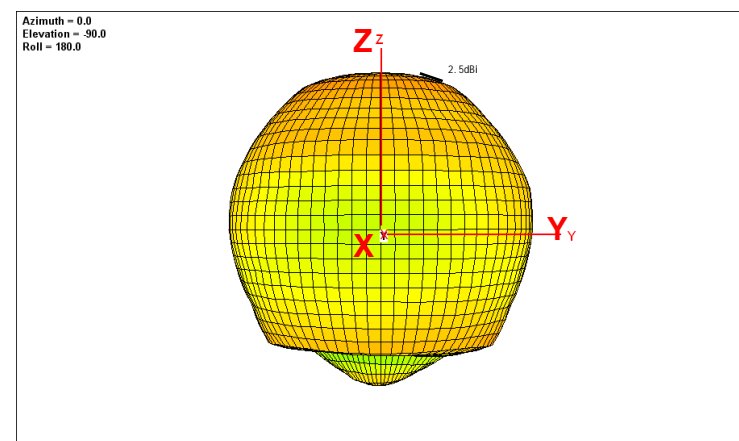
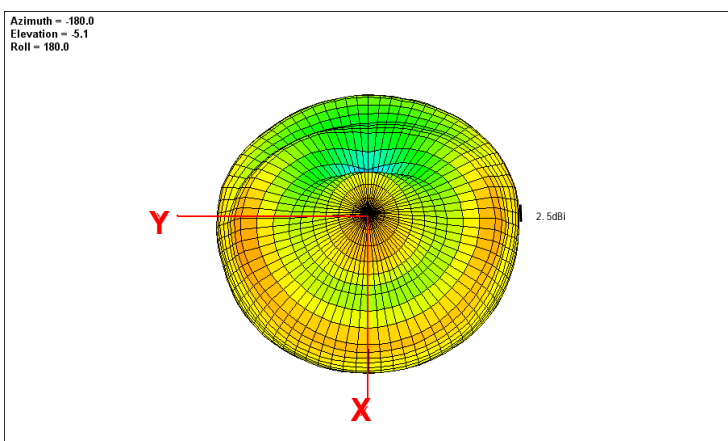
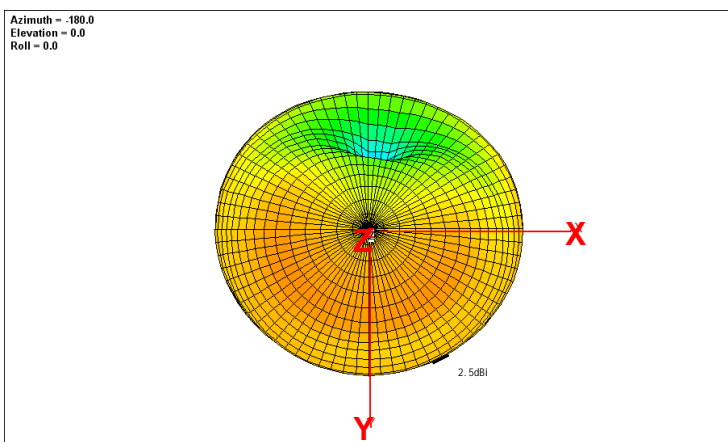
DOCUMENT  
T  
NO.

YF2012C2P2G45

REV.  
A

## 7. Radiation Pattern (80 x 40 mm<sup>2</sup> ground plane)

### 7-1. 3D Gain Pattern @ 2442 MHz



深圳市迎丰天线技术有限公司

SHEN ZHEN YINGFENG ANTENNA TECHNOLOGYCO.,LTD

Prepared by : JIEXI

Designed by : Jason

Checked by : Jason

Approved by : MR.FANG

TITLE : 2.0 x 1.2 x 0.65(mm) WiFi/Bluetooth Ceramic Chip  
Antenna (YF2012C2) Engineering Specification

DOCUMENT  
T  
NO.

YF2012C2P2G45

REV.  
A

## 7-2. 3D Efficiency Table

| Frequency( MHz) | 2400 | 2410 | 2420 | 2430 | 2442 | 2450 | 2460 | 2470 | 2480 | 2490 | 2500 |
|-----------------|------|------|------|------|------|------|------|------|------|------|------|
| Efficiency (dB) | -1.4 | -1.0 | -0.9 | -0.7 | -0.7 | -0.8 | -0.9 | -1.1 | -1.2 | -1.3 | -1.4 |
| Efficiency (%)  | 72.8 | 73.7 | 74.3 | 74.4 | 75.5 | 75.0 | 74.0 | 73.6 | 73.1 | 72.6 | 71.5 |
| Gain (dBi)      | 2.1  | 2.2  | 2.3  | 2.4  | 2.5  | 2.5  | 2.4  | 1.8  | 1.7  | 1.6  | 1.4  |

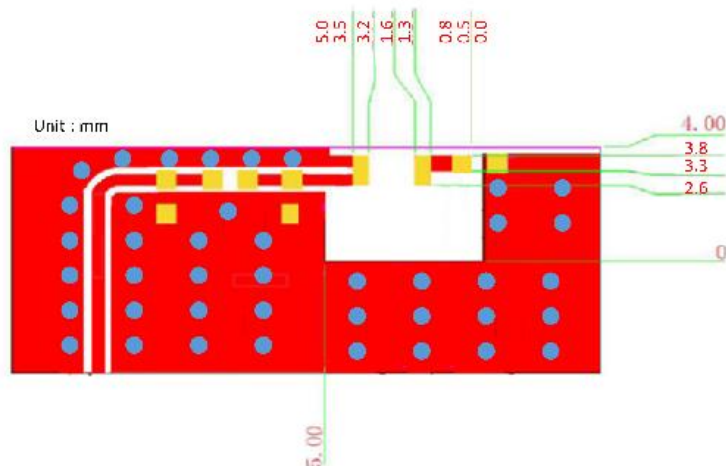
## 8. Layout Guide

### a. Solder Land Pattern:

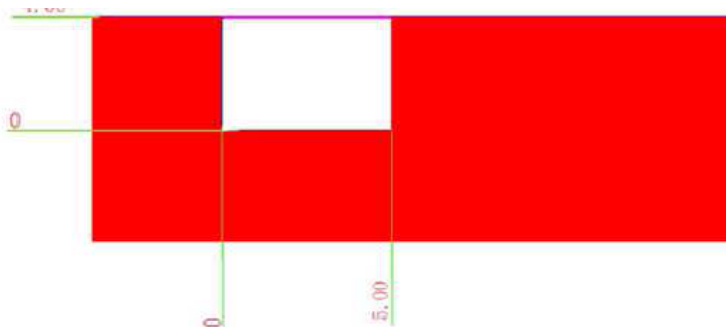
Land pattern for soldering (gray marking areas) is as shown below. Depending on Customer's requirement, matching circuit as shown below is also recommended.

### 2). PCB Top View :

Type1 :



Top View



Bottom View

Unit : mm



深圳市迎丰天线技术有限公司

SHEN ZHEN YINGFENG ANTENNA TECHNOLOGYCO.,LTD

Prepared by : JIEXI

Designed by : Jason

Checked by : Jason

Approved by : MR.FANG

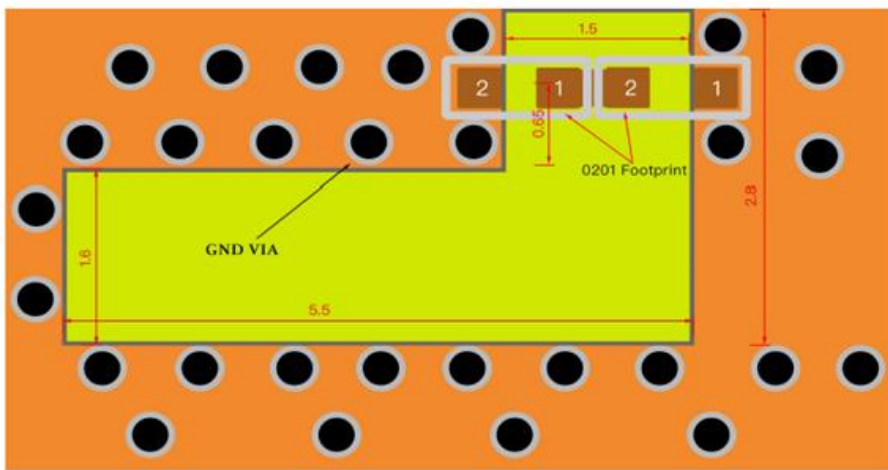
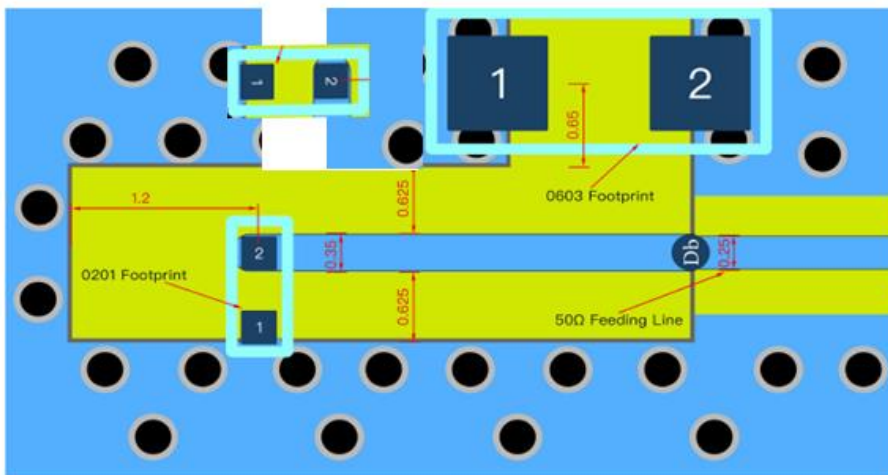
TITLE : 2.0 x 1.2 x 0.65(mm) WiFi/Bluetooth Ceramic Chip  
Antenna (YF2012C2) Engineering Specification

DOCUMENT  
T  
NO.

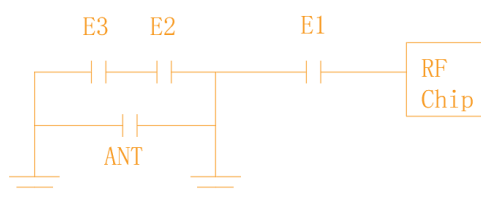
YF2012C2P2G45

REV.  
A

b. Test Board with Antenna



原理图



深圳市迎丰天线技术有限公司

SHEN ZHEN YINGFENG ANTENNA TECHNOLOGYCO.,LTD

Prepared by : JIEXI

Designed by : Jason

Checked by : Jason

Approved by : MR.FANG

TITLE : 2.0 x 1.2 x 0.65(mm) WiFi/Bluetooth Ceramic Chip  
Antenna (YF2012C2) Engineering Specification

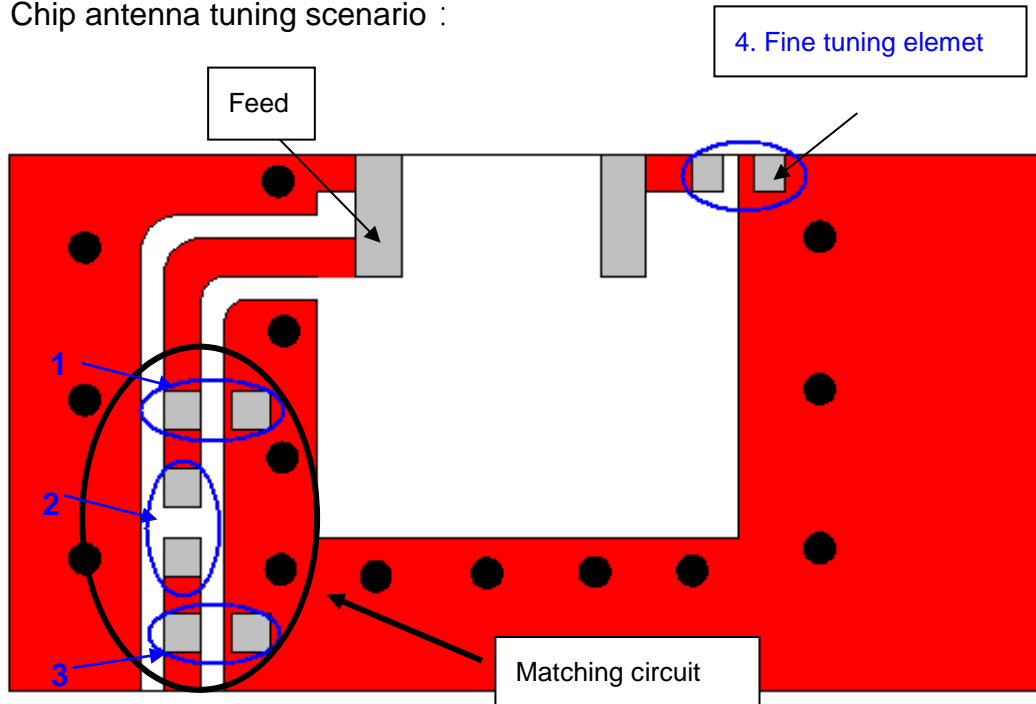
DOCUMENT  
NO.

YF2012C2P2G45

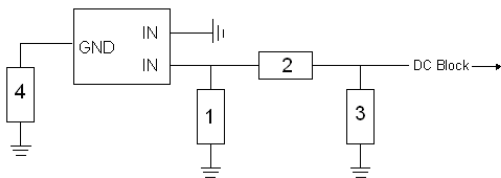
REV.  
A

## 9. Frequency tuning

a. Chip antenna tuning scenario :



b. Matching circuit : (Center frequency is about 2442 MHz @ 80 x 40 mm<sup>2</sup> ground plane)



| System Matching Circuit Component |             |               |           |
|-----------------------------------|-------------|---------------|-----------|
| Location                          | Description | Vendor        | Tolerance |
| 1                                 | 1.2 pF*     | Murata (0402) | ±0.1 pF   |
| 2                                 | 10PF*       | Murata(0402)  | ±0.5 PF   |
| 3                                 | N/A*        | -             | -         |
| Fine tuning element 4             | 10 pF*      | Murata (0402) | ±0.1 pF   |

\*Typical reference values which may need to be changed when circuit boards or part vendors are different.

c. Fine tuning element vs. Center frequency



深圳市迎丰天线技术有限公司

SHEN ZHEN YINGFENG ANTENNA TECHNOLOGYCO.,LTD

Prepared by : JIEXI

Designed by : Jason

Checked by : Jason

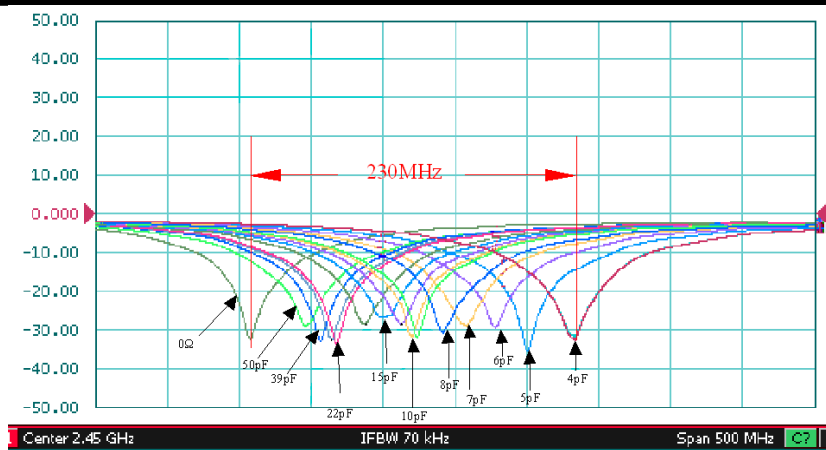
Approved by : MR.FANG

TITLE : 2.0 x 1.2 x 0.65(mm) WiFi/Bluetooth Ceramic Chip Antenna (YF2012C2) Engineering Specification

DOCUMENT NO.

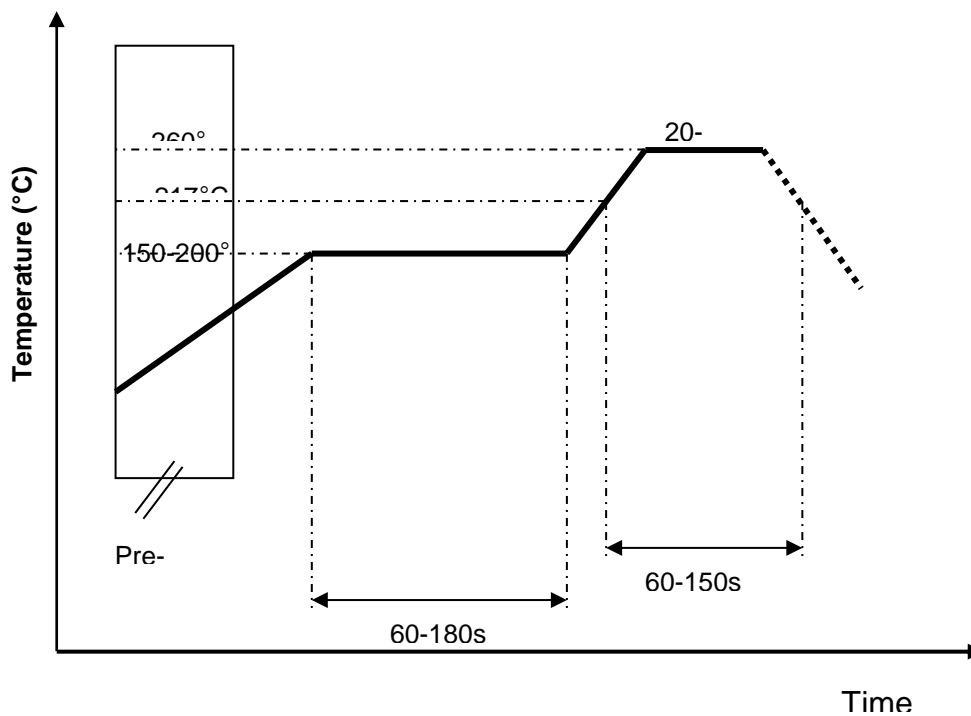
YF2012C2P2G45

REV. A



## 10. Soldering Conditions

a. Typical Soldering Profile for Lead-free Process



## 11. Packing

- (1) Quantity/Reel: 4000 pcs/Reel
- (2) Plastic tape:



深圳市迎丰天线技术有限公司

SHEN ZHEN YINGFENG ANTENNA TECHNOLOGY CO., LTD

Prepared by : JIEXI

Designed by : Jason

Checked by : Jason

Approved by : MR.FANG

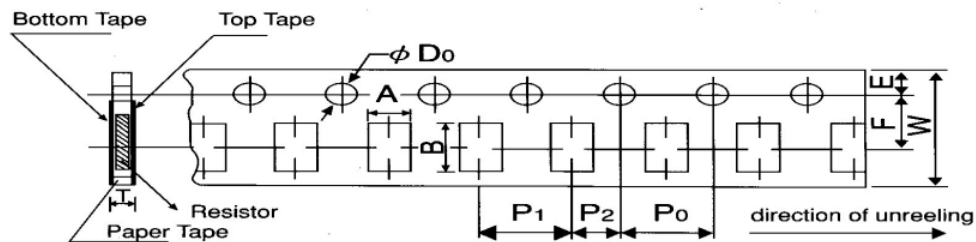
TITLE : 2.0 x 1.2 x 0.65(mm) WiFi/Bluetooth Ceramic Chip  
Antenna (YF2012C2) Engineering Specification

DOCUMENT  
T  
NO.

YF2012C2P2G45

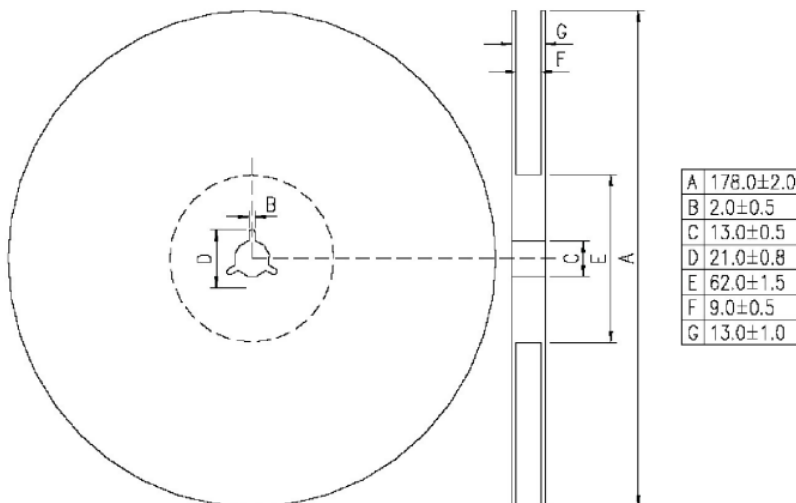
REV.  
A





| Packing | Style | A        | B       | W       | F        | E        | P <sub>1</sub> | P <sub>2</sub> | P <sub>0</sub> | D <sub>0</sub>             | T        |
|---------|-------|----------|---------|---------|----------|----------|----------------|----------------|----------------|----------------------------|----------|
| Paper   | 2012  | 1.6±0.15 | 2.4±0.2 | 8.0±0.2 | 3.5±0.05 | 1.75±0.1 | 4.0±0.1        | 2.0±0.05       | 4.0±0.1        | $\psi_{1.5}$<br>+0.1<br>-0 | 0.84±0.1 |

### (3) Taping reel dimensions



深圳市迎丰天线技术有限公司

SHEN ZHEN YINGFENG ANTENNA TECHNOLOGY CO., LTD

Prepared by : JIEXI

Designed by : Jason

Checked by : Jason

Approved by : MR.FANG

TITLE : 2.0 x 1.2 x 0.65(mm) WiFi/Bluetooth Ceramic Chip  
Antenna (YF2012C2) Engineering Specification

DOCUMENT  
T  
NO.

YF2012C2P2G45

REV.  
A