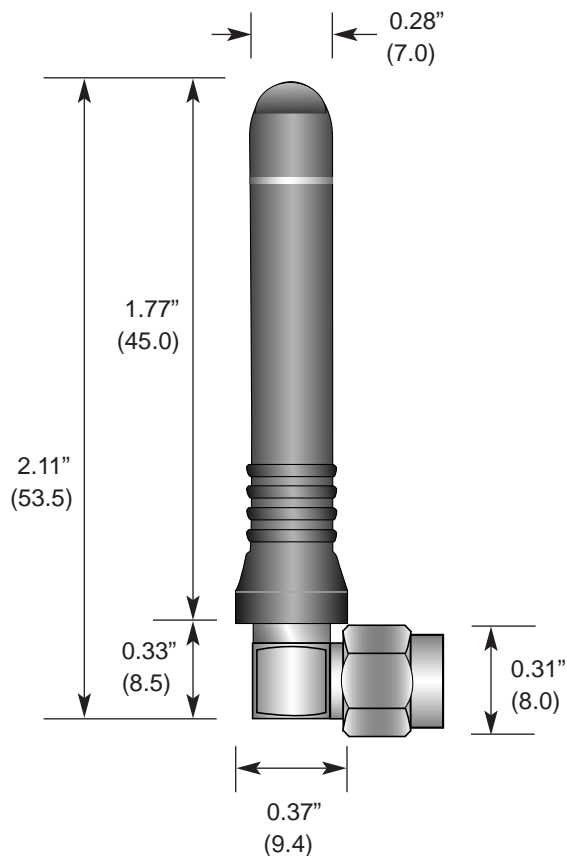


Product Dimensions



Description



The RCS Series is ideally suited for products requiring an attractive yet compact antenna in a right-angle form factor. The 1/4-wave antenna features a Part 15-compliant RP-SMA connection which mates with all Linx PCB and chassis RP-SMA connectors. An SMA connector is available as well.

Features

- Reduced height helical whip
 - Very low VSWR
 - Excellent performance
 - Omni-directional pattern
 - Weatherized, rugged & damage-resistant
 - Multi-step base for mounting flexibility
 - Part 15 compliant RP-SMA or SMA connector
 - Available in black or custom colors
 - Use with plastic* or metal enclosures
- * Requires proximity ground plane

Electrical Specifications

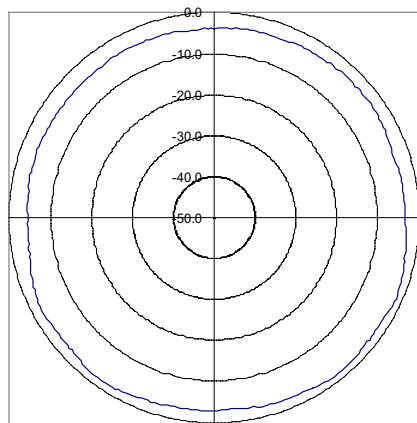
- | | |
|--------------|-------------------------|
| • Freq. | 2 400 MHz ~ 2 483.5 MHz |
| • Wavelength | 1/4-wave |
| • VSWR | <1.9 typ. at center |
| • Impedance | 50 ohms |
| • Gain | -1.20dBi |
| • Connector | RP-SMA or SMA |

Electrical specifications and plots measured on 4.00" x 4.00" reference ground plane

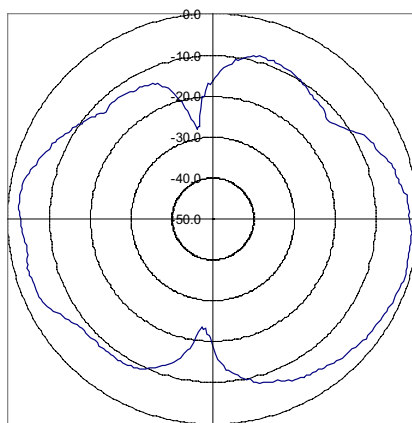
Ordering Information

- ANT-2.4-CW-RCS
- ANT-2.4-CW-RCS-SMA

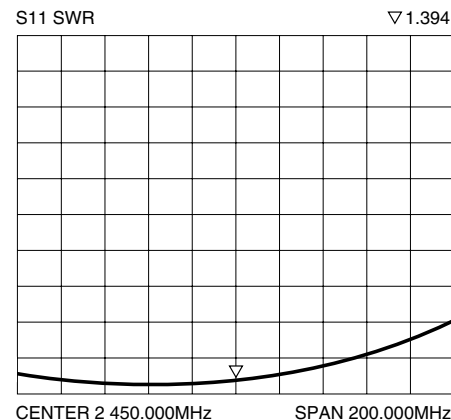
Polar Plots and VSWR Graph



Azimuth



Elevation



Typical VSWR