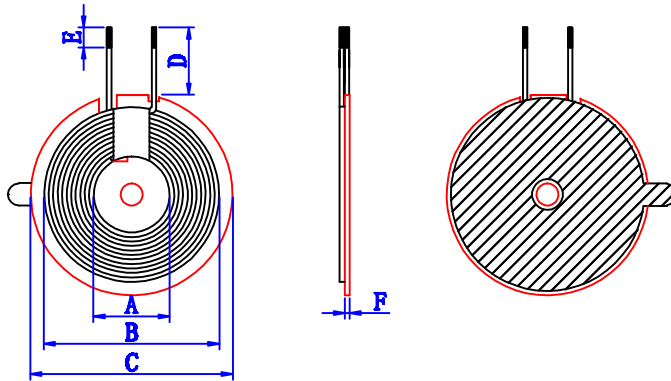


**东莞市德弗力五金电子材料有限公司**  
Dongguan city DFL Electronic Technology Co.,LTD

**SPECIFICATION**

<b>产品型号:</b> DESC	<b>AKEO-Y17X38-15-FR</b>	<b>版本</b> Rev:A	<b>Customer:</b>	<b>AKE</b>
			<b>Description:</b>	Coil + hard magnetic
			<b>Date:</b>	<b>20201119</b>

**一、尺寸DIMENSION: (mm)**



A	<b>17.0±1.0</b>
B	<b>38.0±1.5</b>
C	<b>44.0±1.0</b>
D	<b>15.0±2.0</b>
E	<b>3.0±1.5</b>
F	<b>0.8±0.15</b>
G	
H	
I	
J	
K	
L	

Note:

1. The coil is attached to the circular hard magnetic disc with holes and double slots
2. Wrap 8MM of high-temperature tape around the cable outlet position
3. Tape the back of the magnetic disc with ear white glue
4. Do not loosen the coil

**二、天线增益 Antenna gain**

Operation frequency	113kHz-205kHz
Antenna Type	Loop coil Antenna
Antenna gain	0dBi

**三、绕线参数(Winding Specification:)**

序号 NO.	端子 TERMINAL	线径 WIRE	圈数 Turns	绕线方向 Winding Direction
1		<b>0.08X24Px3P</b> Hot air wire	<b>11TS</b>	anticlockwise

**四、电气特性 ELECTRICAL CHARACTERISTICS:**

**温度 TEMPERATURE: 25±10° C, 湿度 RELATIVE HUMIDITY: 65±20%**

序号 NO.	项目 ITEM	端子 TERMINAL	标准 SPECIFICATION	测试条件 TEST FREQUENCY	测试仪器 TEST EQUIPMENTS
1	IND.		<b>6.8uH±10%</b> Magnetized sheet	<b>100KHZ/1.0V</b>	<b>SHDA 1062</b>
2	IND.				
3	Q值				
4	DCR				

<b>拟制/日期</b> PREPARED BY/DATE	<b>审核/日期</b> CHECKED BY/DATE	<b>客户/日期</b> CUSTOMER/DATE