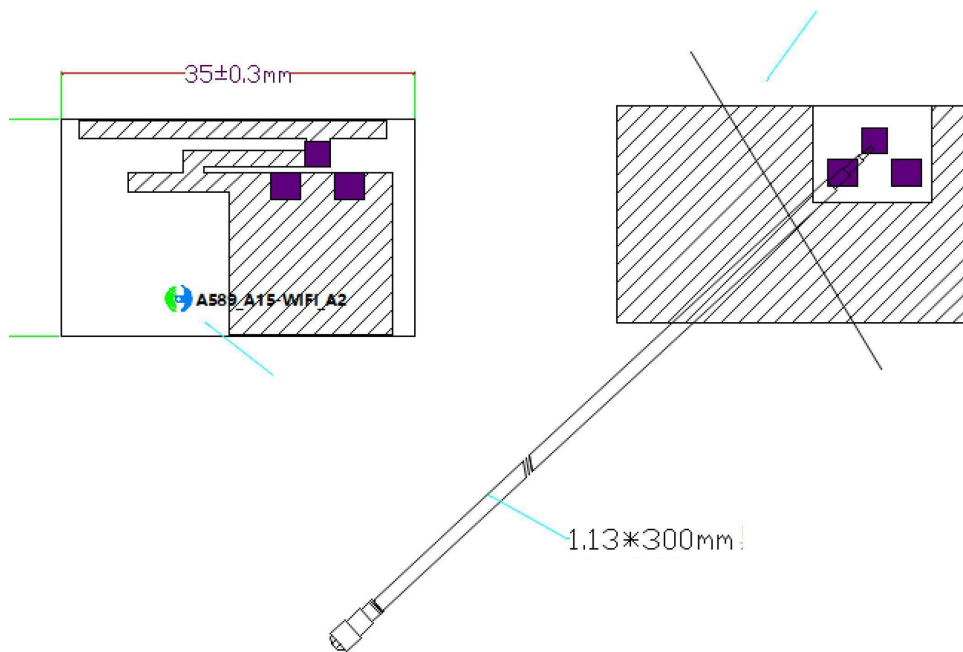

Antenna spec

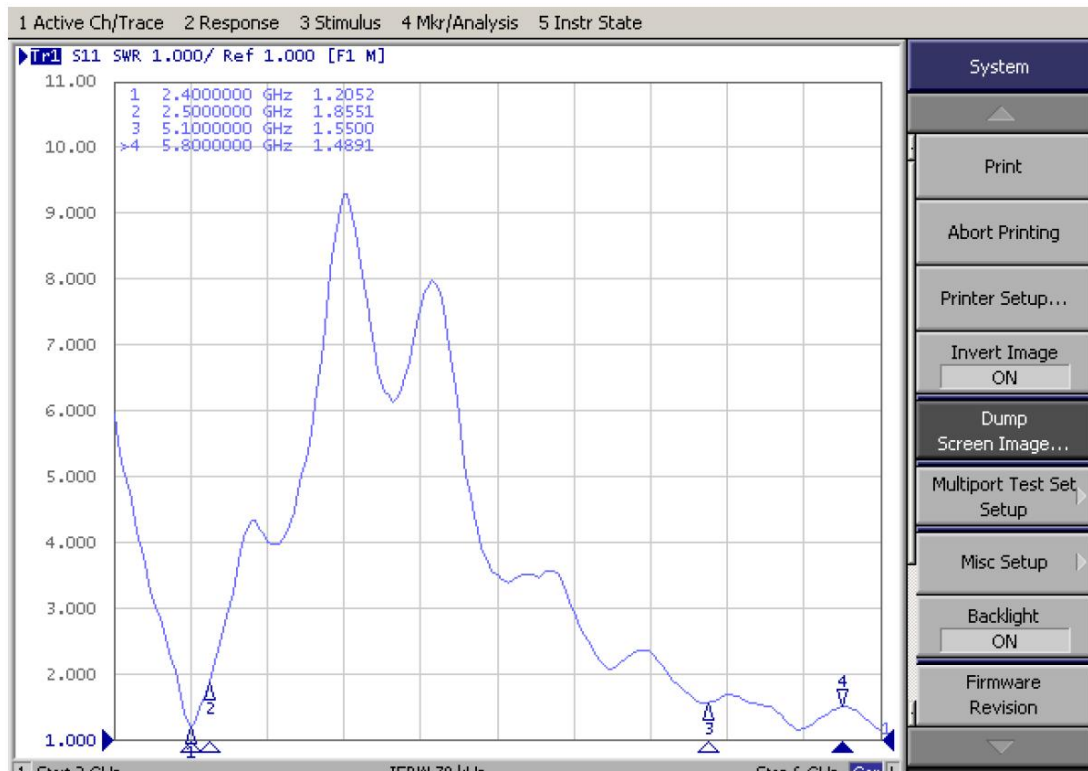
Antenna Description:

Model	FM-S1093-MT11-A15-V3
Antenna type	FPC antenna
Manufacturer	ShenZhen FeiMin Technology CO.,LTD
Address	Room 206, Songyuan Building, Gushu Subway Exit A, Xixiang Town, Baoan District, Shenzhen, Guangdong

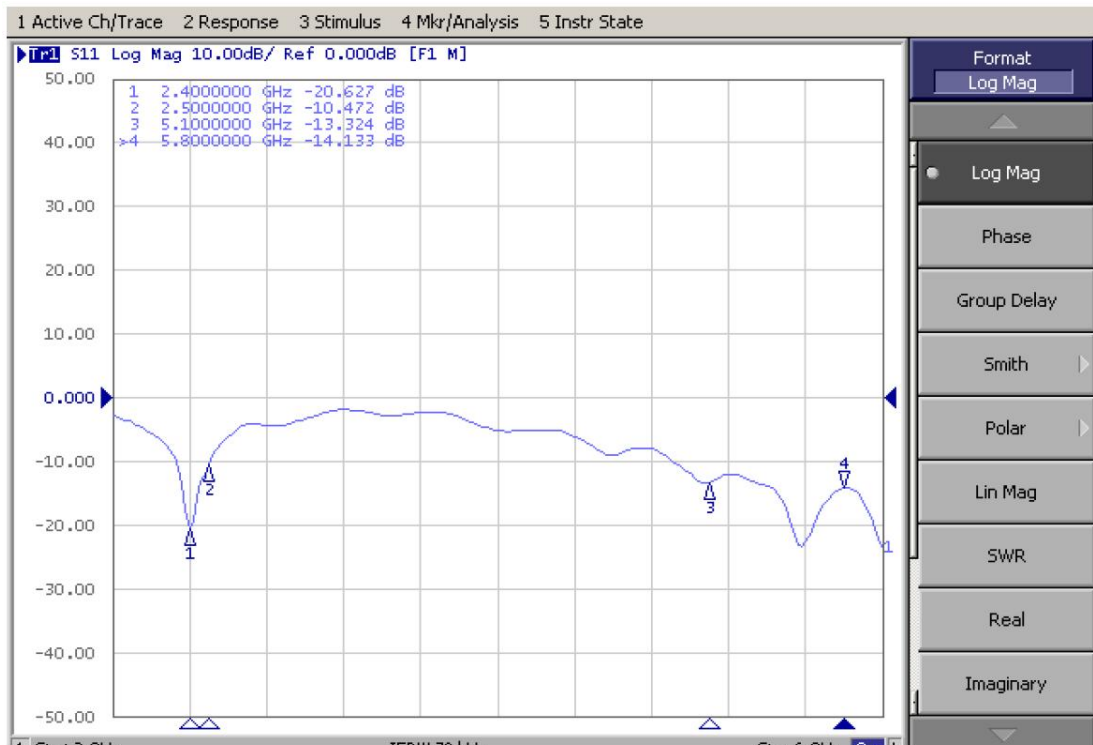
Antenna Photo (mm):



Antenna VSWR



Antenna Return loss



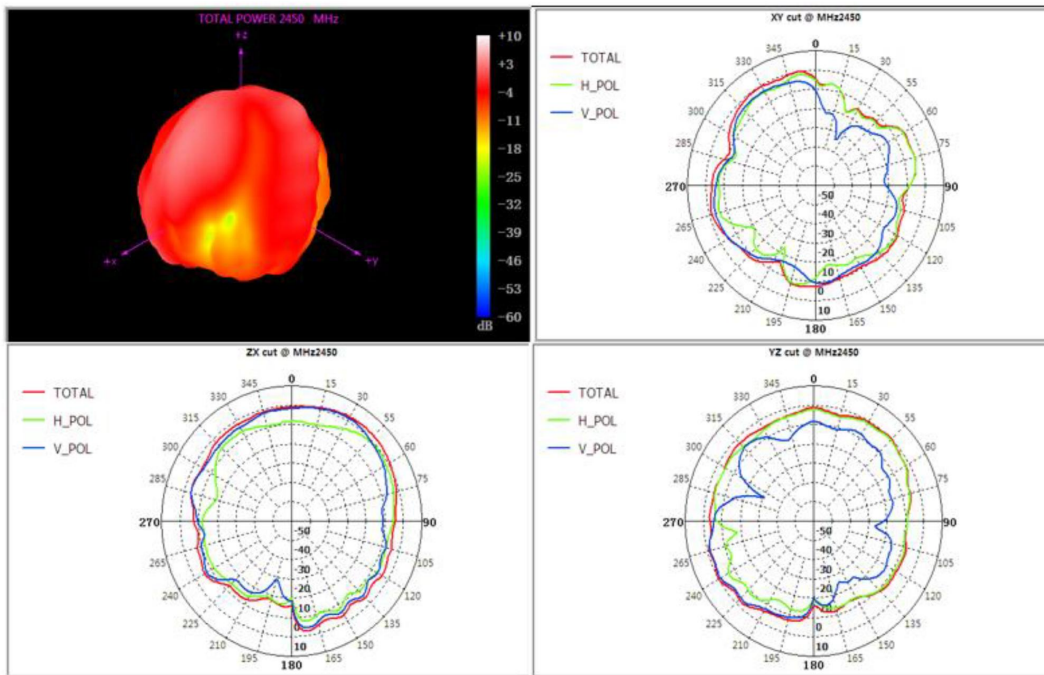
Antenna efficiency and gain

2.4G		
<u>Freq</u> (MHz)	<u>Efficiency</u> (%)	<u>Gain</u> (dBi)
2400	38.64	1.94
2410	38.25	2.33
2420	39.31	2.28
2430	40.73	2.35
2440	40.76	2.41
2450	41.94	2.64
2460	42.29	2.51
2470	41.75	2.12
2480	40.35	2.16
2490	40.65	2.05
2500	40.21	2.06

<u>Freq</u> (MHz)	<u>Efficiency</u> (%)	<u>Gain</u> (dBi)
5150 MHz	40.58	3.54
5200 MHz	41.11	3.75
5250 MHz	40.86	3.76
5300 MHz	41.51	4.12
5350 MHz	42.99	4.02
5400 MHz	43.47	3.43
5450 MHz	41.41	3.79
5500 MHz	44.54	4.27
5550 MHz	45.17	5.07
5600 MHz	47.66	5.24
5650 MHz	46.87	5.17
5700 MHz	45.35	4.08
5750 MHz	42.14	4.01
5800 MHz	41.58	4.86
5850 MHz	43.02	4.14

Antenna Radiation Pattern

2450MHZ



5550MHZ

