

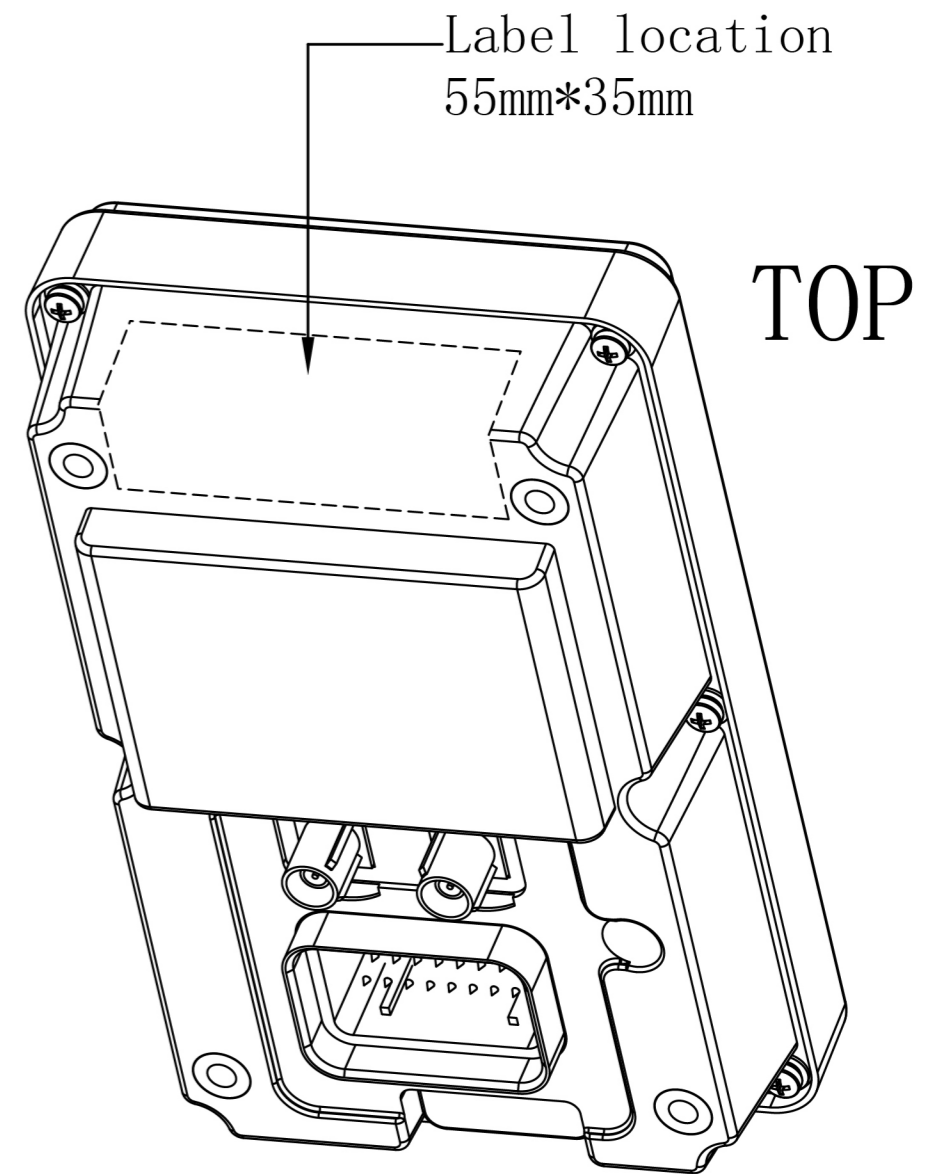
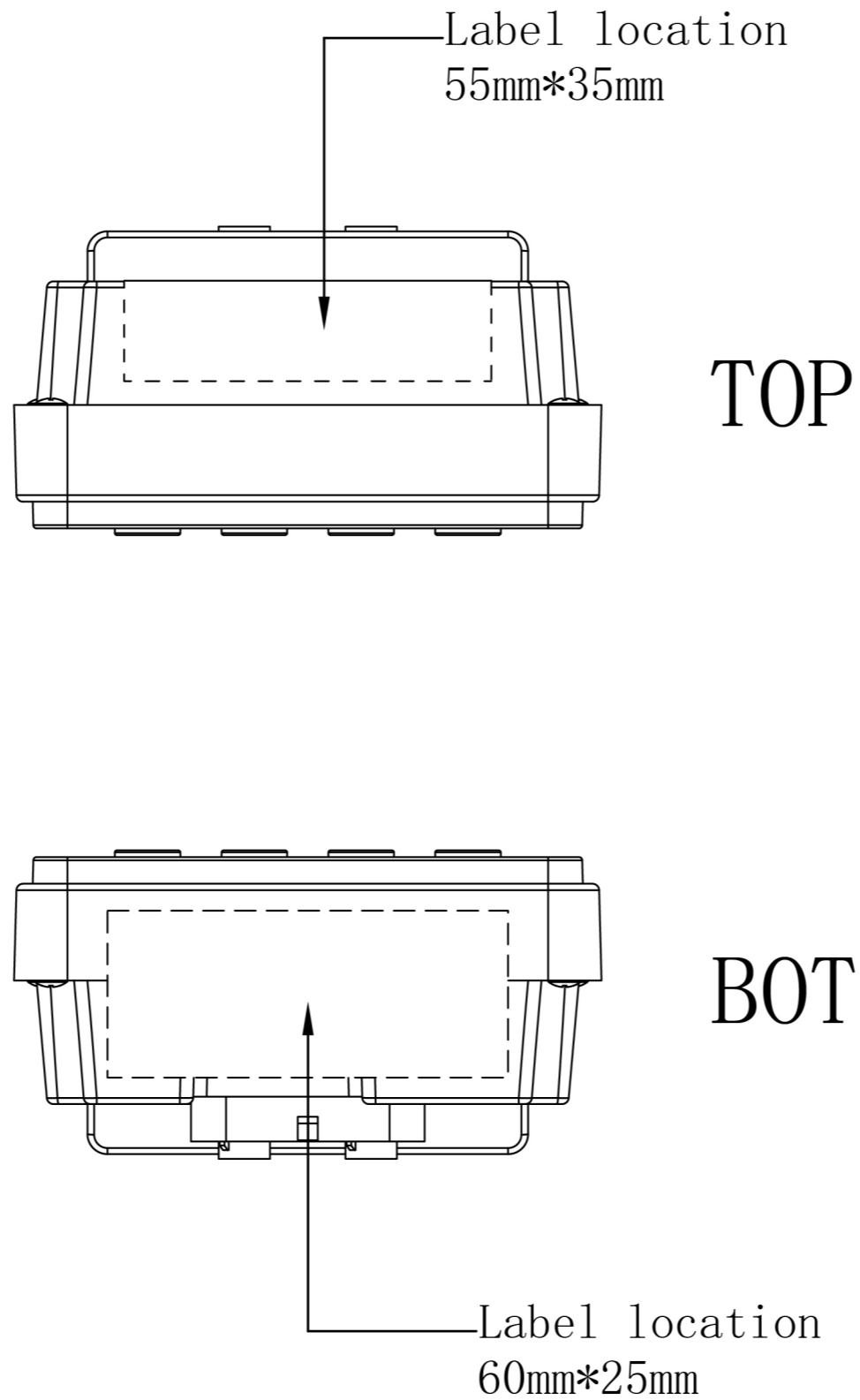
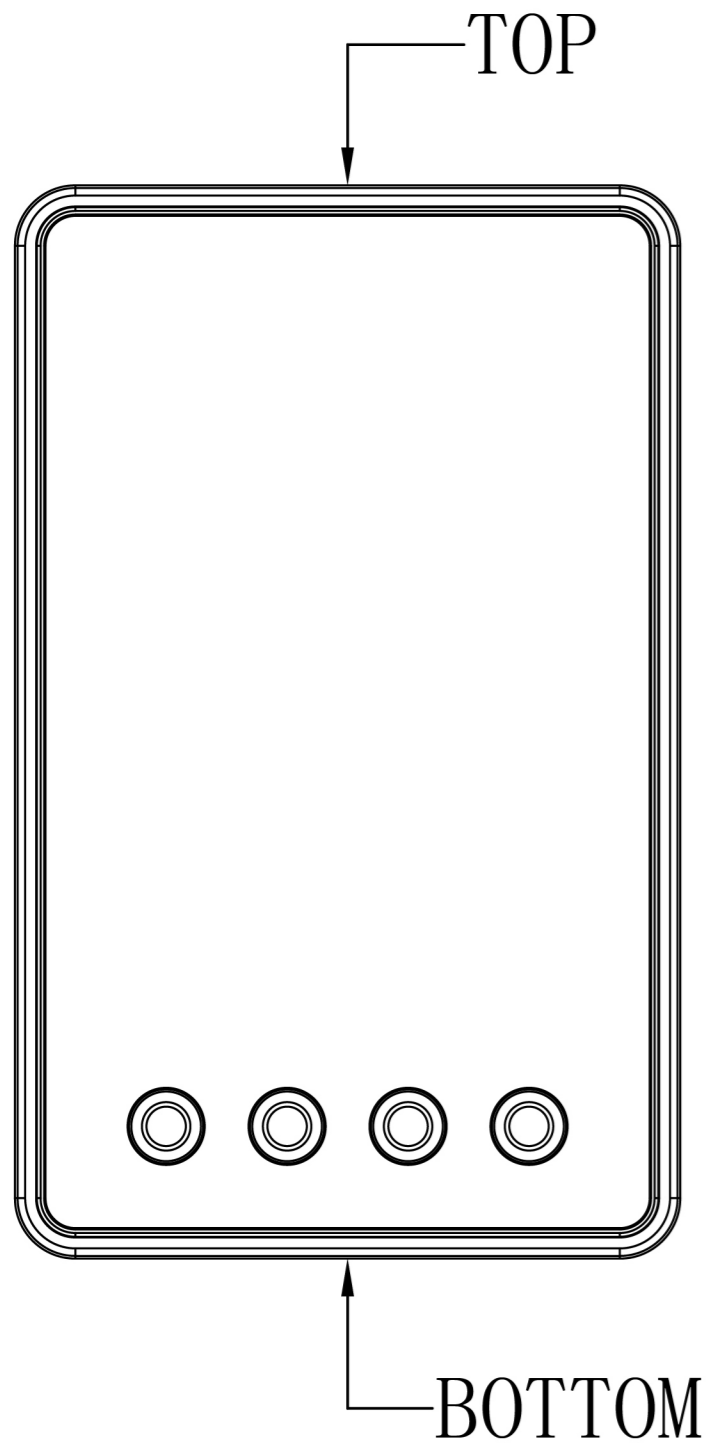
 **Guiyang Yongqing**
 Product Name: 4.3-inch integrated T-BOX instrument
 Model: YQ3.348.3472 FCC ID: 2B2HAR-3-348-3472
 Rated current: 800mA IC: 32831-YQ3472
 Rated voltage: 12V/24V Rated power: 9.6W
  Made in China



This device complies with Part 15 of the FCC Rules.
 Operation is subject to the following two conditions :
 (1) this device may not cause harmful interference, and
 (2) this device must accept any interference received,
 including interference that may cause undesired operation.