

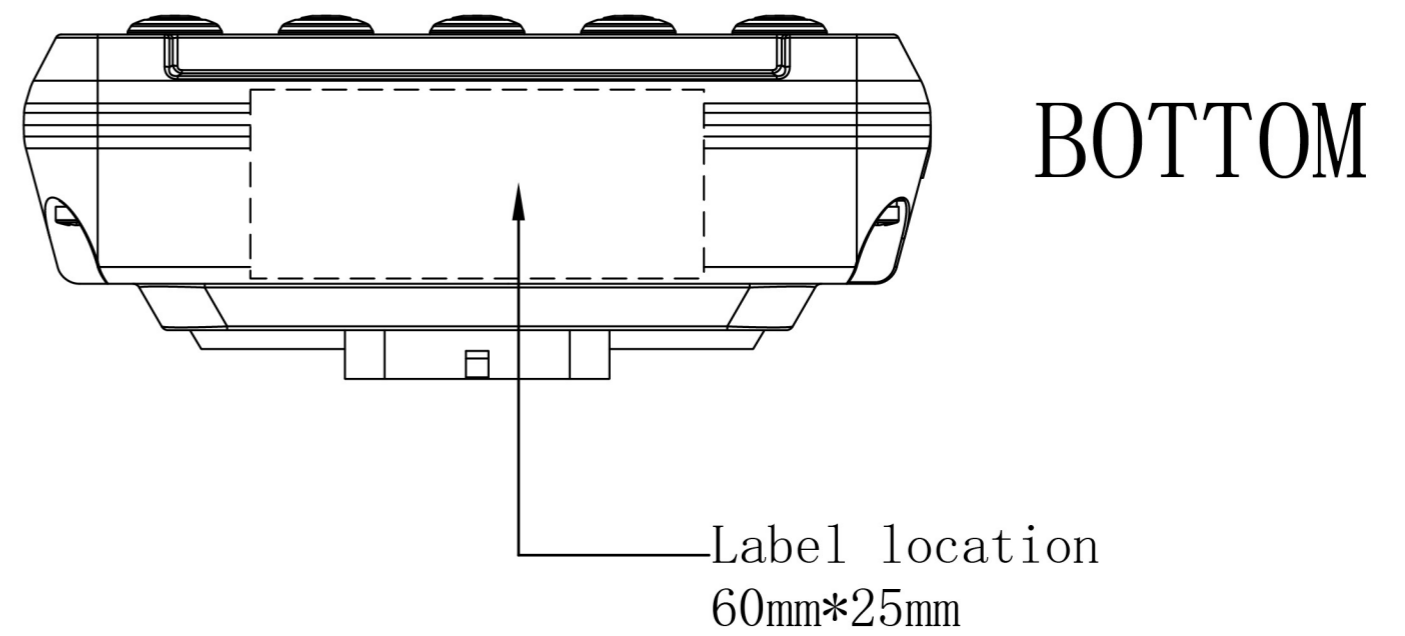
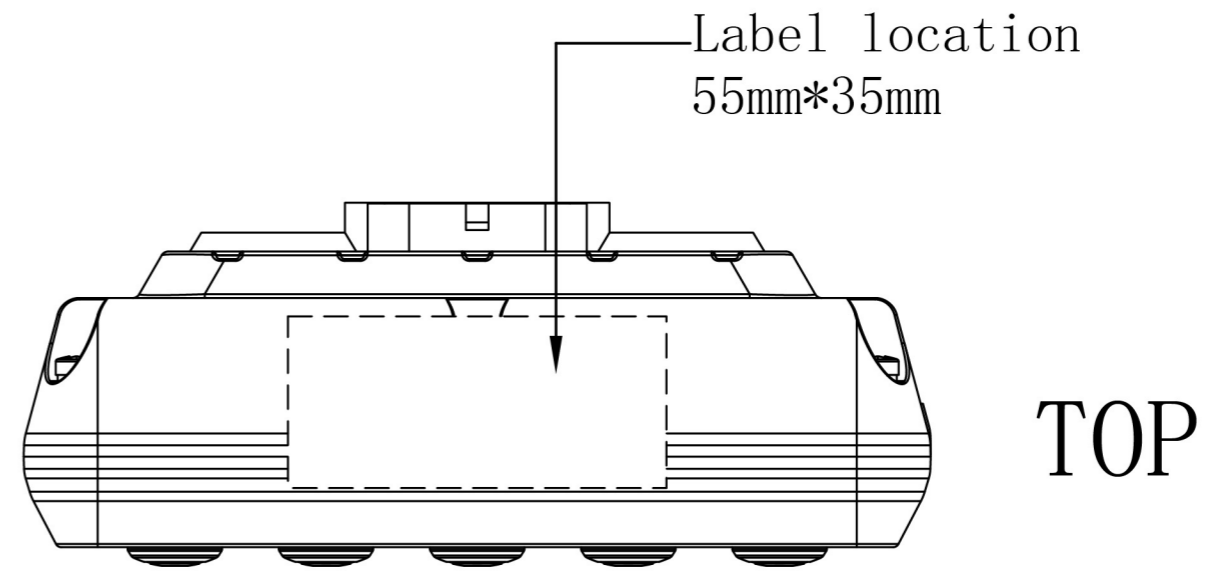
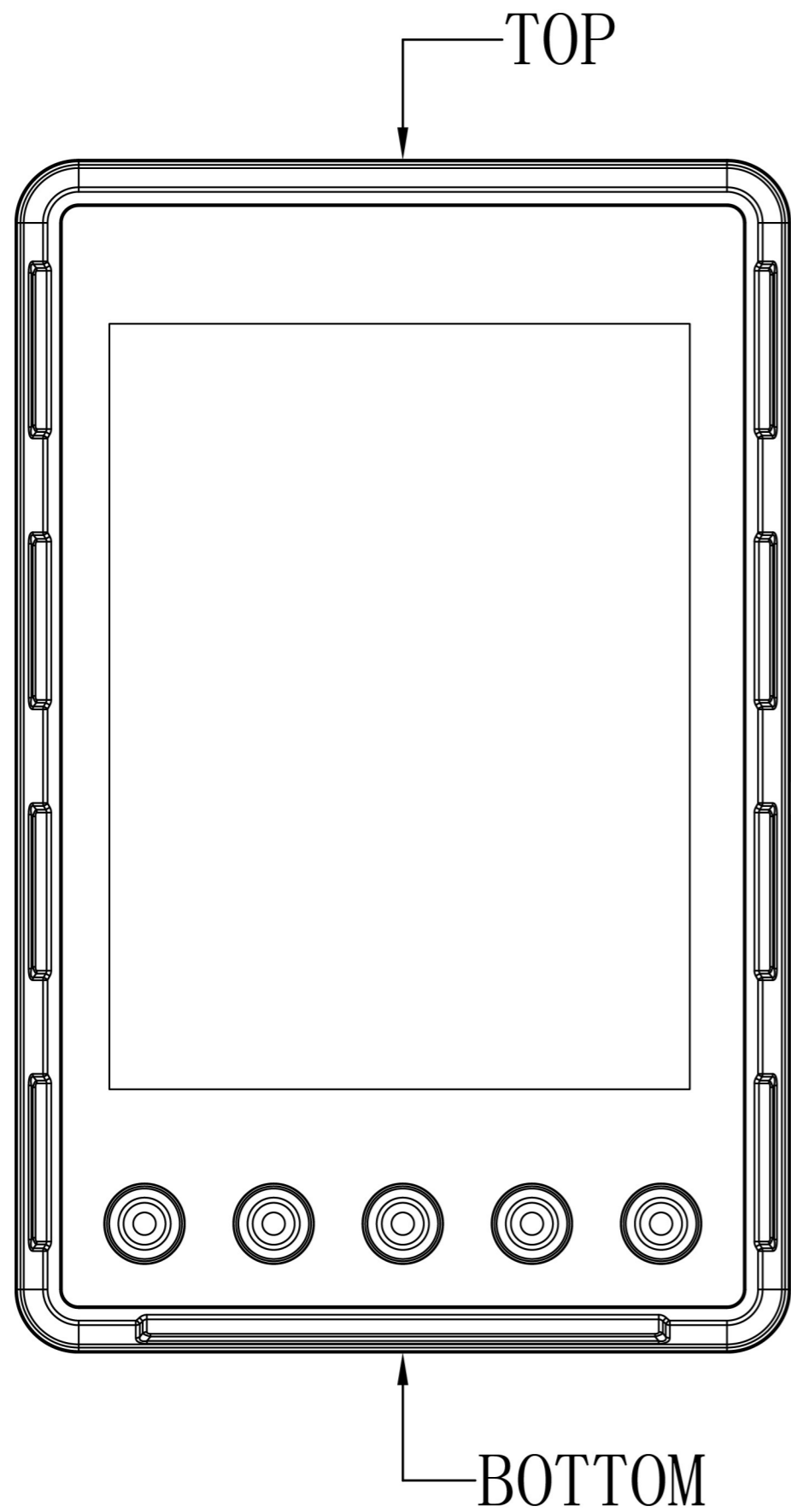
 **Guiyang Yongqing**
 Product Name: 5.7-inch integrated T-BOX instrument
 Model: YQ3.348.3471 FCC ID: 2BHAR-3-348-3471
 Rated current: 1000mA IC: 32831-YQ3471
 Rated voltage: 12V/24V Rated power: 12W
  Made in China



This device complies with Part 15 of the FCC Rules.
 Operation is subject to the following two conditions :
 (1) this device may not cause harmful interference, and
 (2) this device must accept any interference received,
 including interference that may cause undesired operation.